

**14-Bit, 5 MSPS, Military A/D Converter**

The HI5905N/QML is a monolithic, 14-bit, 5MSPS Analog-to-Digital Converter fabricated in an advanced BiCMOS process. It is designed for high speed, high resolution applications where wide bandwidth, low power consumption and excellent SINAD performance are essential. With a 100MHz full power input bandwidth and high frequency accuracy, the converter is ideal for many Military types of communication systems employing digital IF architectures.

The HI5905N/QML is designed in a fully differential pipelined architecture with a front end differential-in-differential-out sample-and-hold amplifier (S/H). Consuming 350mW (typ) power at 5MSPS, the HI5905N/QML has excellent dynamic performance over the full Military temperature range.

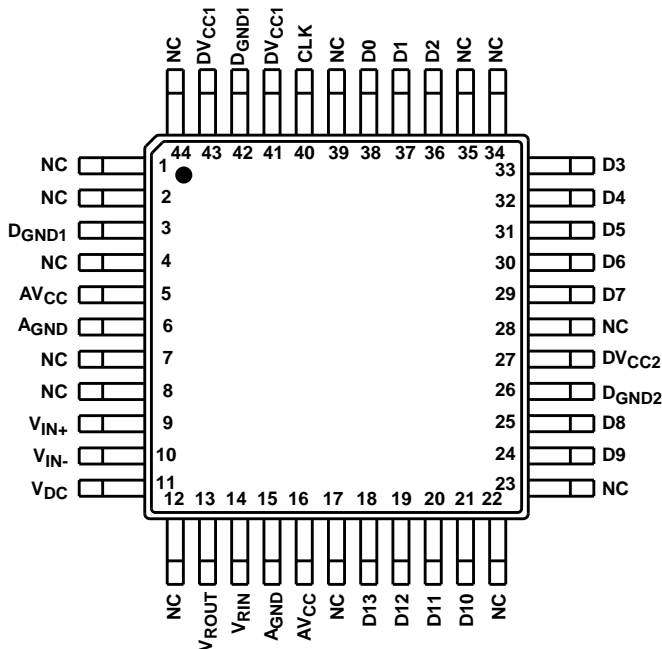
Data output latches are provided which present valid data to the output bus with a data latency of only 4 clock cycles.

**Specifications for QML devices are controlled by the Defense Supply Center in Columbus (DSCC). The SMD numbers listed below must be used when ordering.**

**Detailed Electrical Specifications for the HI5905N/QML are contained in SMD 5962-98591. That document may be easily downloaded from our website. <http://www.Intersil.com/data/sm/index.htm>**

**Pinout**

**HI5905 (MQFP) (MO-108AA-2 ISSUE A)  
TOP VIEW**



**Features**

- QML Compliant per SMD 5962-9859101NXB
- Sampling Rate . . . . .5MSPS
- Low Power at 5MSPS. . . . . 400mW (Max)
- Internal Sample and Hold
- Fully Differential Architecture
- Full Power Input Bandwidth . . . . . 100MHz
- SINAD at 1MHz . . . . . >69dB (Min)
- Internal Voltage Reference
- TTL Compatible Clock Input
- CMOS Compatible Digital Data Outputs

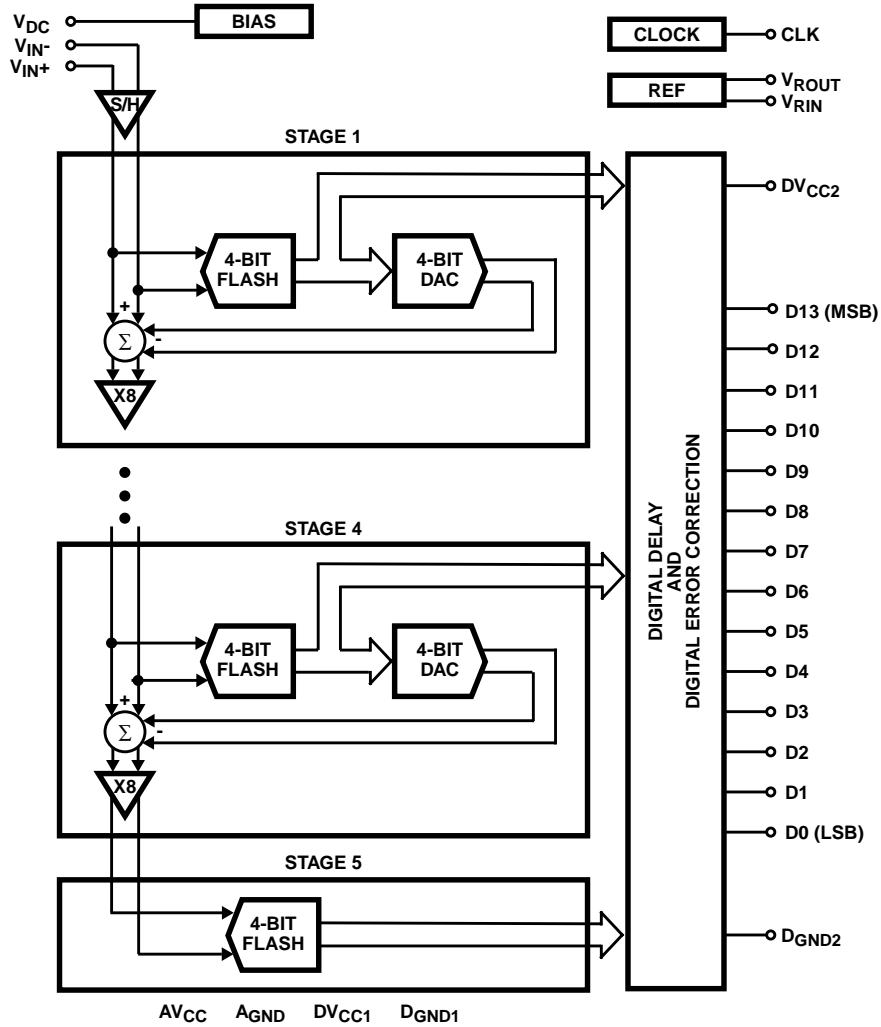
**Applications**

- Digital Communication Systems
- Undersampling Digital IF
- Asymmetric Digital Subscriber Line (ADSL)
- Document Scanners
- Reference Literature
  - AN9214, Using Intersil High Speed A/D Converters
  - AN9785, Using the Intersil HI5905 EVAL2 Evaluation Board

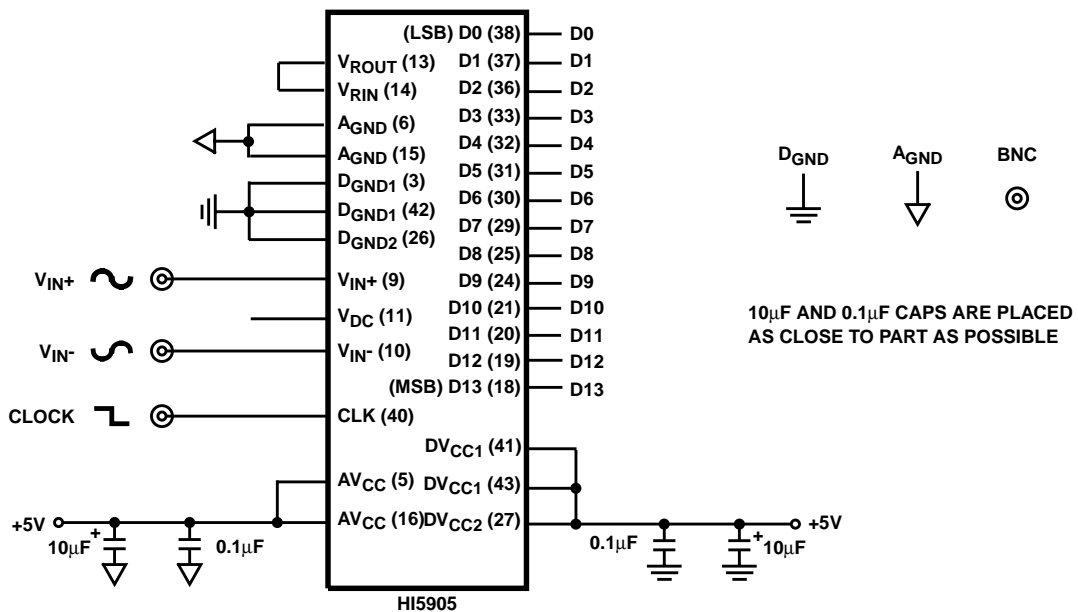
**Ordering Information**

ORDERING NUMBER	INTERNAL INTERSIL MKT. NUMBER	TEMP. RANGE(°C)
5962-9859101NXB	HI5905N/QML	-55 to 125
HI5905EVAL2	Low Frequency Platform	25

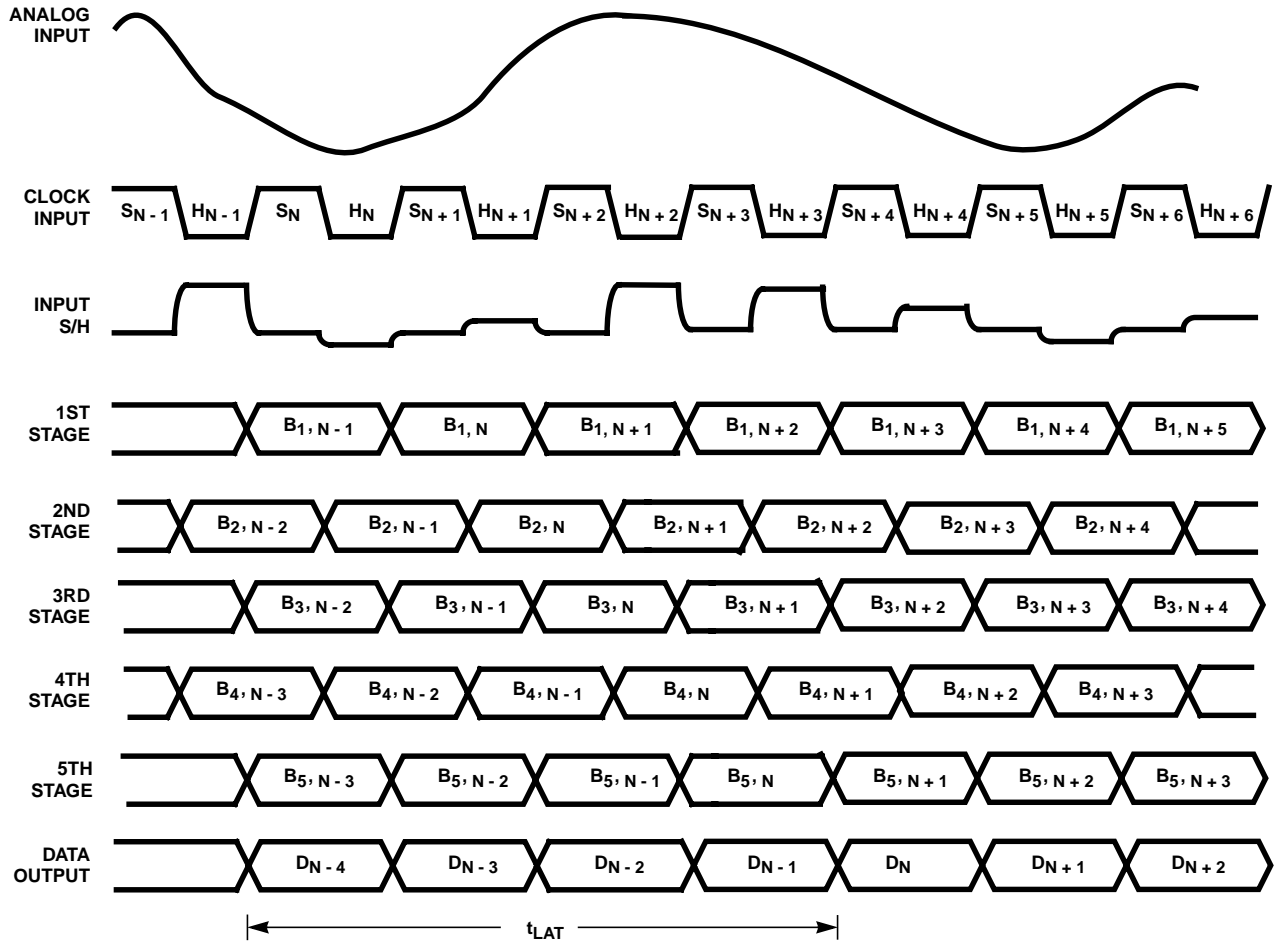
## Functional Block Diagram



## Typical Application Schematic



## Timing Waveforms



### NOTES:

1.  $S_N$ : N-th sampling period.
2.  $H_N$ : N-th holding period.
3.  $B_{M, N}$ : M-th stage digital output corresponding to N-th sampled input.
4.  $D_N$ : Final data output corresponding to N-th sampled input.

FIGURE 1. INTERNAL CIRCUIT TIMING

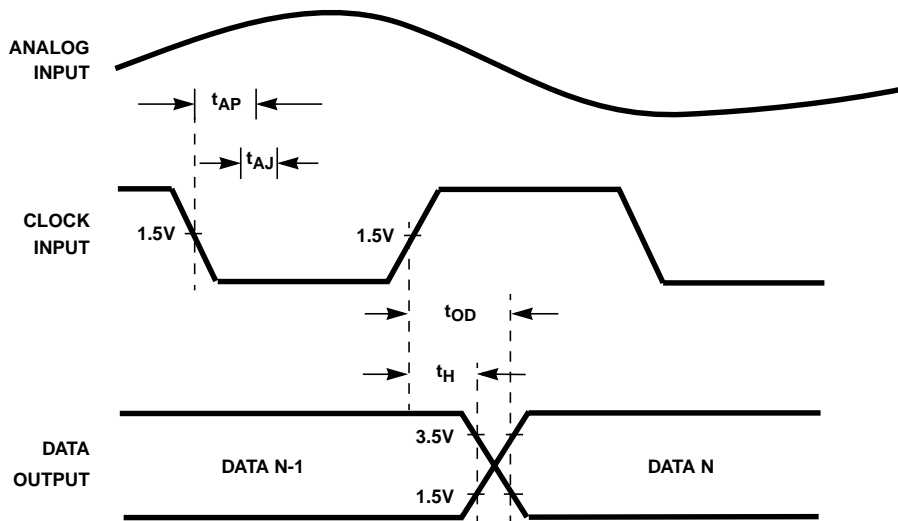


FIGURE 2. INPUT-TO-OUTPUT TIMING

## Pin Descriptions

PIN #	NAME	DESCRIPTION
1	NC	No Connection
2	NC	No Connection
3	D <sub>GND1</sub>	Digital Ground
4	NC	No Connection
5	AV <sub>CC</sub>	Analog Supply (5.0V)
6	AGND	Analog Ground
7	NC	No Connection
8	NC	No Connection
9	V <sub>IN+</sub>	Positive Analog Input
10	V <sub>IN-</sub>	Negative Analog Input
11	V <sub>DC</sub>	DC Bias Voltage Output
12	NC	No Connection
13	V <sub>ROUT</sub>	Reference Voltage Output
14	V <sub>RIN</sub>	Reference Voltage Input
15	AGND	Analog Ground
16	AV <sub>CC</sub>	Analog Supply (5.0V)
17	NC	No Connection
18	D13	Data Bit 11 Output (MSB)
19	D12	Data Bit 11 Output
20	D11	Data Bit 11 Output
21	D10	Data Bit 10 Output
22	NC	No Connection
23	NC	No Connection
24	D9	Data Bit 9 Output
25	D8	Data Bit 8 Output
26	D <sub>GND2</sub>	Digital Ground
27	DV <sub>CC2</sub>	Digital Supply (5.0V)
28	NC	No Connection
29	D7	Data Bit 7 Output
30	D6	Data Bit 6 Output
31	D5	Data Bit 5 Output
32	D4	Data Bit 4 Output
33	D3	Data Bit 3 Output
34	NC	No Connection
35	NC	No Connection
36	D2	Data Bit 2 Output
37	D1	Data Bit 1 Output
38	D0	Data Bit 0 Output (LSB)
39	NC	No Connection
40	CLK	Input Clock
41	DV <sub>CC1</sub>	Digital Supply (5.0V)
42	D <sub>GND1</sub>	Digital Ground
43	DV <sub>CC1</sub>	Digital Supply (5.0V)
44	NC	No Connection

## Detailed Description

### Theory of Operation

The HI5905 is a 14-bit fully differential sampling pipeline A/D converter with digital error correction. Figure 3 depicts the circuit for the front end differential-in-differential-out sample-and-hold (S/H). The switches are controlled by an internal clock which is a non-overlapping two phase signal,  $\phi_1$  and  $\phi_2$ , derived from the master clock. During the sampling phase,  $\phi_1$ , the input signal is applied to the sampling capacitors,  $C_S$ . At the same time the holding capacitors,  $C_H$ , are discharged to analog ground. At the falling edge of  $\phi_1$  the input signal is sampled on the bottom plates of the sampling capacitors. In the next clock phase,  $\phi_2$ , the two bottom plates of the sampling capacitors are connected together and the holding capacitors are switched to the op amp output nodes. The charge then redistributes between  $C_S$  and  $C_H$  completing one sample-and-hold cycle. The output is a fully-differential, sampled-data representation of the analog input. The circuit not only performs the sample-and-hold function but will also convert a single-ended input to a fully-differential output for the converter core. During the sampling phase, the V<sub>IN</sub> pins see only the on-resistance of a switch and  $C_S$ . The relatively small values of these components result in a typical full power input bandwidth of 100MHz for the converter.

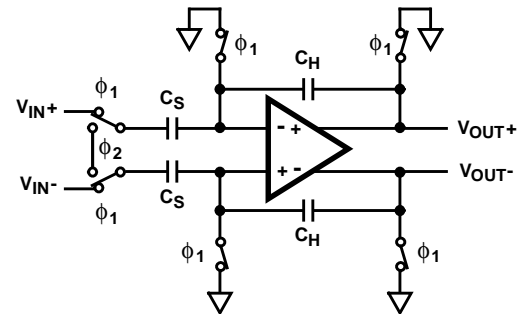


FIGURE 3. ANALOG INPUT SAMPLE-AND-HOLD

As illustrated in the functional block diagram and the timing diagram in Figure 1, four identical pipeline subconverter stages, each containing a four-bit flash converter, a four-bit digital-to-analog converter and an amplifier with a voltage gain of 8, follow the S/H circuit with the fifth stage being only a 4-bit flash converter. Each converter stage in the pipeline will be sampling in one phase and amplifying in the other clock phase. Each individual sub-converter clock signal is offset by 180 degrees from the previous stage clock signal, with the result that alternate stages in the pipeline will perform the same operation.

The output of each of the four-bit subconverter stages is a four-bit digital word containing a supplementary bit to be used by the digital error correction logic. The output of each subconverter stage is input to a digital delay line which is controlled by the internal sampling clock. The function of the digital delay line is to time align the digital outputs of the four

identical four-bit subconverter stages with the corresponding output of the fifth stage flash converter before applying the twenty bit result to the digital error correction logic. The digital error correction logic uses the supplementary bits to correct any error that may exist before generating the final fourteen bit digital data output of the converter.

Because of the pipeline nature of this converter, the digital data representing an analog input sample is output to the digital data bus on the 4th cycle of the clock after the analog sample is taken. This time delay is specified as the data latency. After the data latency time, the digital data representing each succeeding analog sample is output during the following clock cycle. The digital output data is synchronized to the external sampling clock with a latch. The digital output data is available in two's complement binary format (see Table 1, A/D Code Table).

### Internal Reference Generator, $V_{ROUT}$ and $V_{RIN}$

The HI5905 has an internal reference generator, therefore, no external reference voltage is required.  $V_{ROUT}$  must be connected to  $V_{RIN}$  when using the internal reference voltage.

The HI5905 can be used with an external reference. The converter requires only one external reference voltage connected to the  $V_{RIN}$  pin with  $V_{ROUT}$  left open.

The HI5905 is tested with  $V_{ROUT}$ , equal to 4.0V, connected to  $V_{RIN}$ . Internal to the converter, two reference voltages of 1.3V and 3.3V are generated for a fully differential input signal range of  $\pm 2V$ .

In order to minimize overall converter noise, it is recommended that adequate high frequency decoupling be provided at the reference voltage input pin,  $V_{RIN}$ .

### Analog Input, Differential Connection

The analog input to the HI5905 can be configured in various ways depending on the signal source and the required level of performance. A fully differential connection (Figure 4) will give the best performance for the converter.

Since the HI5905 is powered off a single +5V supply, the analog input must be biased so it lies within the analog input

common mode voltage range of 1.0V to 4.0V. The performance of the ADC does not change significantly with the value of the analog input common mode voltage.

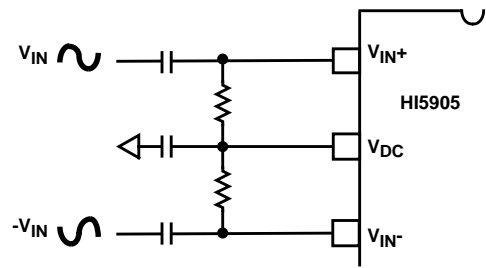


FIGURE 4. AC COUPLED DIFFERENTIAL INPUT

A 2.3V DC bias voltage source,  $V_{DC}$ , half way between the top and bottom internal reference voltages, is made available to the user to help simplify circuit design when using a differential input. This low output impedance voltage source is not designed to be a reference but makes an excellent bias source and stays within the analog input common mode voltage range over temperature.

The difference between the converter's two internal voltage references is 2V. For the AC coupled differential input, (Figure 4), if  $V_{IN}$  is a 2V<sub>P-P</sub> sinewave with  $-V_{IN}$  being 180 degrees out of phase with  $V_{IN}$ , then  $V_{IN+}$  is a 2V<sub>P-P</sub> sinewave riding on a DC bias voltage equal to  $V_{DC}$  and  $V_{IN-}$  is a 2V<sub>P-P</sub> sinewave riding on a DC bias voltage equal to  $V_{DC}$ . Consequently, the converter will be at positive full scale, resulting in a digital data output code with D13 (MSB) equal to a logic "0" and D0-D12 equal to logic "1" (see Table 1, A/D Code Table), when the  $V_{IN+}$  input is at  $V_{DC}+1V$  and the  $V_{IN-}$  input is at  $V_{DC}-1V$  ( $V_{IN+} - V_{IN-} = 2V$ ). Conversely, the ADC will be at negative full scale, resulting in a digital data output code with D13 (MSB) equal to a logic "1" and D0-D12 equal to logic "0" (see Table 1, A/D Code Table), when the  $V_{IN+}$  input is equal to  $V_{DC}-1V$  and  $V_{IN-}$  is at  $V_{DC}+1V$  ( $V_{IN+}-V_{IN-} = -2V$ ). From this, the converter is seen to have a peak-to-peak differential analog input voltage range of 2V

The analog input can be DC coupled (Figure 5) as long as the inputs are within the analog input common mode voltage range ( $1.0V \leq V_{DC} \leq 4.0V$ ).

TABLE 1. A/D CODE TABLE

CODE CENTER DESCRIPTION	DIFFERENTIAL INPUT VOLTAGE † (USING INTERNAL REFERENCE)	TWO'S COMPLEMENT BINARY OUTPUT CODE														
		MSB													LSB	
		D13	D12	D11	D10	D9	D8	D7	D6	D5	D4	D3	D2	D1		D0
+Full Scale (+FS) - 1/4 LSB	+1.99994V	0	1	1	1	1	1	1	1	1	1	1	1	1	1	1
+FS - 1 1/4 LSB	1.99969V	0	1	1	1	1	1	1	1	1	1	1	1	1	1	0
+ 3/4 LSB	183.105 $\mu$ V	0	0	0	0	0	0	0	0	0	0	0	0	0	0	0
- 1/4 LSB	-61.035 $\mu$ V	1	1	1	1	1	1	1	1	1	1	1	1	1	1	1
-FS + 1 3/4 LSB	-1.99957V	1	0	0	0	0	0	0	0	0	0	0	0	0	0	1
-Full Scale (-FS) + 3/4 LSB	-1.99982V	1	0	0	0	0	0	0	0	0	0	0	0	0	0	0

† The voltages listed above represent the ideal center of each two's complement binary output code shown.

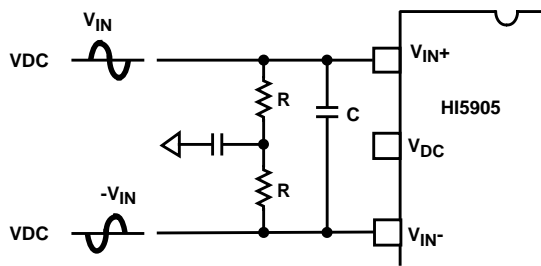


FIGURE 5. DC COUPLED DIFFERENTIAL INPUT

The resistors, R, in Figure 5 are not absolutely necessary but may be used as load setting resistors. A capacitor, C, connected from  $V_{IN+}$  to  $V_{IN-}$  will help filter any high frequency noise on the inputs, also improving performance. Values around 20pF are sufficient and can be used on AC coupled inputs as well. Note, however, that the value of capacitor C chosen must take into account the highest frequency component of the analog input signal.

### Analog Input, Single-Ended Connection

The configuration shown in Figure 6 may be used with a single ended AC coupled input. Sufficient headroom must be provided such that the input voltage never goes above +5V or below  $A_{GND}$ .

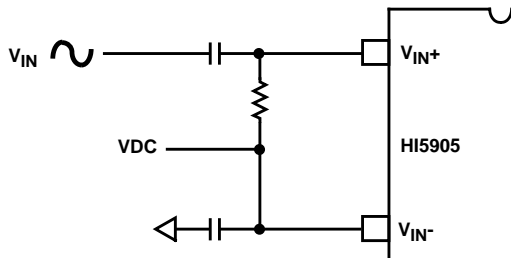


FIGURE 6. AC COUPLED SINGLE ENDED INPUT

Again, the difference between the two internal voltage references is 2V. If  $V_{IN}$  is a 4V<sub>P-P</sub> sinewave, then  $V_{IN+}$  is a 4V<sub>P-P</sub> sinewave riding on a positive voltage equal to V<sub>DC</sub>. The converter will be at positive full scale when  $V_{IN+}$  is at V<sub>DC</sub> + 2V ( $V_{IN+} - V_{IN-} = 2V$ ) and will be at negative full scale when  $V_{IN+}$  is equal to V<sub>DC</sub> - 2V ( $V_{IN+} - V_{IN-} = -2V$ ). In this case, V<sub>DC</sub> could range between 2V and 3V without a significant change in ADC performance. The simplest way to produce V<sub>DC</sub> is to use the V<sub>DC</sub> bias voltage output of the HI5905.

The single ended analog input can be DC coupled (Figure 7) as long as the input is within the analog input common mode voltage range.

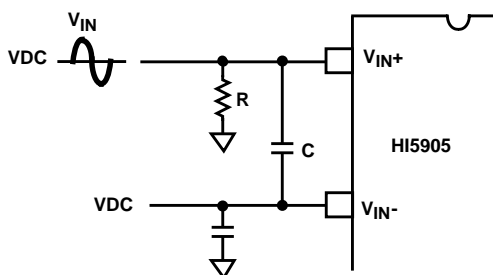


FIGURE 7. DC COUPLED SINGLE ENDED INPUT

The resistor, R, in Figure 7 is not absolutely necessary but may be used as a load setting resistor. A capacitor, C, connected from  $V_{IN+}$  to  $V_{IN-}$  will help filter any high frequency noise on the inputs, also improving performance. Values around 20pF are sufficient and can be used on AC coupled inputs as well. Note, however, that the value of capacitor C chosen must take into account the highest frequency component of the analog input signal.

A single ended source will give better overall system performance if it is first converted to differential before driving the HI5905.

### Digital I/O and Clock Requirements

The HI5905 provides a standard high-speed interface to external TTL/CMOS logic families. The digital CMOS clock input has TTL level thresholds. The low input bias current allows the HI5905 to be driven by CMOS logic. The digital CMOS outputs have a separate +5.0V digital supply input pin.

In order to ensure rated performance of the HI5905, the duty cycle of the clock should be held at 50% ±5%. It must also have low jitter and operate at standard TTL levels.

Performance of the HI5905 will only be guaranteed at conversion rates above 0.5MSPS. This ensures proper performance of the internal dynamic circuits.

### Supply and Ground Considerations

The HI5905 has separate analog and digital supply and ground pins to keep digital noise out of the analog signal path. The part should be mounted on a board that provides separate low impedance connections for the analog and digital supplies and grounds. For best performance, the supplies to the HI5905 should be driven by clean, linear regulated supplies. The board should also have good high frequency decoupling capacitors mounted as close as possible to the converter. If the part is powered off a single supply then the analog supply and ground pins should be isolated by ferrite beads from the digital supply and ground pins.

Refer to the Application Note AN9214, "Using Intersil High Speed A/D Converters" for additional considerations when using high speed converters.

### Static Performance Definitions

#### Offset Error ( $V_{OS}$ )

The midscale code transition should occur at a level 1/4 LSB above half-scale. Offset is defined as the deviation of the actual code transition from this point.

#### Full-Scale Error (FSE)

The last code transition should occur for an analog input that is 3/4 LSB below positive full-scale with the offset error removed. Full-scale error is defined as the deviation of the actual code transition from this point.

#### Differential Linearity Error (DNL)

DNL is the worst case deviation of a code width from the ideal value of 1 LSB.

---

### ***Integral Linearity Error (INL)***

INL is the worst case deviation of a code center from a best fit straight line calculated from the measured data.

### ***Power Supply Rejection Ratio (PSRR)***

Each of the power supplies are moved plus and minus 5% and the shift in the offset and gain error (in LSBs) is noted.

### ***Dynamic Performance Definitions***

Fast Fourier Transform (FFT) techniques are used to evaluate the dynamic performance of the HI5905. A low distortion sine wave is applied to the input, it is coherently sampled, and the output is stored in RAM. The data is then transformed into the frequency domain with an FFT and analyzed to evaluate the dynamic performance of the A/D. The sine wave input to the part is -0.5dB down from full-scale for all these tests. SNR and SINAD are quoted in dB. The distortion numbers are quoted in dBc (decibels with respect to carrier) and **DO NOT** include any correction factors for normalizing to full scale.

### ***Signal-to-Noise Ratio (SNR)***

SNR is the measured RMS signal to RMS noise at a specified input and sampling frequency. The noise is the RMS sum of all of the spectral components except the fundamental and the first five harmonics.

### ***Signal-to-Noise + Distortion Ratio (SINAD)***

SINAD is the measured RMS signal to RMS sum of all other spectral components below the Nyquist frequency,  $f_S/2$ , excluding DC.

### ***Effective Number Of Bits (ENOB)***

The effective number of bits (ENOB) is calculated from the SINAD data by:

$$\text{ENOB} = (\text{SINAD} + V_{\text{CORR}} - 1.76) / 6.02$$

where:  $V_{\text{CORR}} = 0.5\text{dB}$  (Typical)

$V_{\text{CORR}}$  adjusts the ENOB for the amount the input is below fullscale.

### ***Total Harmonic Distortion (THD)***

THD is the ratio of the RMS sum of the first 5 harmonic components to the RMS value of the fundamental input signal.

### ***2nd and 3rd Harmonic Distortion***

This is the ratio of the RMS value of the applicable harmonic component to the RMS value of the fundamental input signal.

### ***Spurious Free Dynamic Range (SFDR)***

SFDR is the ratio of the fundamental RMS amplitude to the RMS amplitude of the next largest spur or spectral component (excluding the first 5 harmonic components) in the spectrum below  $f_S/2$ .

### ***Intermodulation Distortion (IMD)***

Nonlinearities in the signal path will tend to generate intermodulation products when two tones,  $f_1$  and  $f_2$ , are

present at the inputs. The ratio of the measured signal to the distortion terms is calculated. The terms included in the calculation are  $(f_1 + f_2)$ ,  $(f_1 - f_2)$ ,  $(2f_1)$ ,  $(2f_2)$ ,  $(2f_1 + f_2)$ ,  $(2f_1 - f_2)$ ,  $(f_1 + 2f_2)$ ,  $(f_1 - 2f_2)$ . The ADC is tested with each tone 6dB below full scale.

### ***Transient Response***

Transient response is measured by providing a fullscale transition to the analog input of the ADC and measuring the number of cycles it takes for the output code to settle within 14-bit accuracy.

### ***Over-Voltage Recovery***

Over-voltage Recovery is measured by providing a fullscale transition to the analog input of the ADC which overdrives the input by 200mV, and measuring the number of cycles it takes for the output code to settle within 14-bit accuracy.

### ***Full Power Input Bandwidth (FPBW)***

Full power input bandwidth is the analog input frequency at which the amplitude of the digitally reconstructed output has decreased 3dB below the amplitude of the input sinewave. The input sinewave has an amplitude which swings from  $-f_S$  to  $+f_S$ . The bandwidth given is measured at the specified sampling frequency.

### ***Timing Definitions***

Refer to Figure 1, Internal Circuit Timing, and Figure 2, Input-To-Output Timing, for these definitions.

### ***Aperture Delay ( $t_{AP}$ )***

Aperture delay is the time delay between the external sample command (the falling edge of the clock) and the time at which the signal is actually sampled. This delay is due to internal clock path propagation delays.

### ***Aperture Jitter ( $t_{AJ}$ )***

Aperture Jitter is the RMS variation in the aperture delay due to variation of internal clock path delays.

### ***Data Hold Time ( $t_H$ )***

Data hold time is the time to where the previous data (N - 1) is still valid.

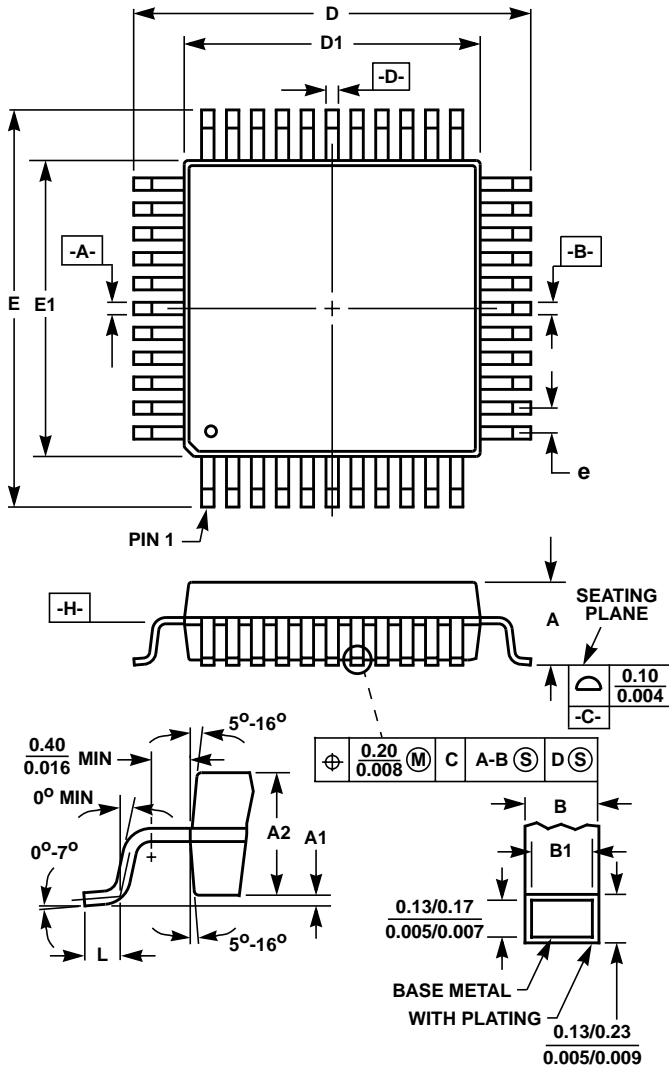
### ***Data Output Delay Time ( $t_{OD}$ )***

Data output delay time is the time to where the new data (N) is valid.

### ***Data Latency ( $t_{LAT}$ )***

After the analog sample is taken, the digital data is output on the bus at the third cycle of the clock. This is due to the pipeline nature of the converter where the data has to ripple through the stages. This delay is specified as the data latency. After the data latency time, the data representing each succeeding sample is output at the following clock pulse. The digital data lags the analog input sample by 4 clock cycles.

**Metric Plastic Quad Flatpack Packages (MQFP/PQFP)**



**Q44.10x10 (JEDEC MO-108AA-2 ISSUE A)  
44 LEAD METRIC PLASTIC QUAD FLATPACK PACKAGE**

SYM-BOL	INCHES		MILLIMETERS		NOTES
	MIN	MAX	MIN	MAX	
A	-	0.093	-	2.35	-
A1	0.004	0.010	0.10	0.25	-
A2	0.077	0.083	1.95	2.10	-
B	0.012	0.018	0.30	0.45	6
B1	0.012	0.016	0.30	0.40	-
D	0.510	0.530	12.95	13.45	3
D1	0.390	0.398	9.90	10.10	4, 5
E	0.510	0.530	12.95	13.45	3
E1	0.390	0.398	9.90	10.10	4, 5
L	0.026	0.037	0.65	0.95	-
N	44		44		7
e	0.032 BSC		0.80 BSC		-

Rev. 1 1/94

NOTES:

1. Controlling dimension: MILLIMETER. Converted inch dimensions are not necessarily exact.
2. All dimensions and tolerances per ANSI Y14.5M-1982.
3. Dimensions D and E to be determined at seating plane **-C-**.
4. Dimensions D1 and E1 to be determined at datum plane **-H-**.
5. Dimensions D1 and E1 do not include mold protrusion. Allowable protrusion is 0.25mm (0.010 inch) per side.
6. Dimension B does not include dambar protrusion. Allowable dambar protrusion shall be 0.08mm (0.003 inch) total.
7. "N" is the number of terminal positions.

All Intersil semiconductor products are manufactured, assembled and tested under **ISO9000** quality systems certification.

*Intersil semiconductor products are sold by description only. Intersil Corporation reserves the right to make changes in circuit design and/or specifications at any time without notice. Accordingly, the reader is cautioned to verify that data sheets are current before placing orders. Information furnished by Intersil is believed to be accurate and reliable. However, no responsibility is assumed by Intersil or its subsidiaries for its use; nor for any infringements of patents or other rights of third parties which may result from its use. No license is granted by implication or otherwise under any patent or patent rights of Intersil or its subsidiaries.*

For information regarding Intersil Corporation and its products, see web site [www.intersil.com](http://www.intersil.com)

**Sales Office Headquarters**

**NORTH AMERICA**  
Intersil Corporation  
P. O. Box 883, Mail Stop 53-204  
Melbourne, FL 32902  
TEL: (321) 724-7000  
FAX: (321) 724-7240

**EUROPE**  
Intersil SA  
Mercure Center  
100, Rue de la Fusee  
1130 Brussels, Belgium  
TEL: (32) 2.724.2111  
FAX: (32) 2.724.22.05

**ASIA**  
Intersil Ltd.  
8F-2, 96, Sec. 1, Chien-kuo North,  
Taipei, Taiwan 104  
Republic of China  
TEL: 886-2-2515-8508  
FAX: 886-2-2515-8369