

UM10883

PN7462 family Quick Start Guide - Development Kit

Rev. 1.6 — 14 May 2018
319816

User manual
COMPANY PUBLIC

Document information

Info	Content
Keywords	PN7462 family, Development Kit, Customer board, Quick Start Guide, functional description of the customer board, NFC Cockpit
Abstract	This document describes PN7462 Controller Development Kits. It also describes PN7462 software stack, gives directions to run example application using the MCUXpresso IDE. Document provides PN7462 customer board configuration instructions, gives board hardware overview and provides basic steps how to use NFC Cockpit application.



Revision history

Rev	Date	Description
1.6	20180514	Added OM27462CDKP and PNEV7462C description, editorial changes
1.5	20180115	Reworked NFC Cockpit usage description
1.4	20170907	Updated Getting started description PN7462 plugin for MCUXpresso not needed from version 10.0.2 Reworked NFC Cockpit installation description
1.3	20170511	Development Kit description added MCUXpresso IDE support added Board description and schematic updated SW examples description updated Abbreviation section added
1.2	20170216	PNEV7462B customer demo board V2.2 added SW examples description updated Guidelines how to upgrade firmware are updated Figures updated
1.1	20161124	SW examples description updated Guidelines how to import projects are updated Figures updated
1.0	20160329	First release

Contact information

For more information, please visit: <http://www.nxp.com>

1. Getting started

This document gives information about how to start software and hardware development with PN7462 NFC Controller Development Kits: OM27462CDK [1] and OM27462CDKP [2]. Development kit ensures easy and quick development of NFC applications running on the PN7462 family [3] derivatives. This guide gives extensive kit hardware overview and describes board configuration options.

Document further describes PN7462AU FW and SW examples package. It gives step by step instruction to install MCUXpresso IDE [4] and to run example application. It is also provided extensive introduction to the PN7462 family software stack [5] and describes each example in detail.

Finally, document describes NFC Cockpit [6], custom Windows application used in prototyping and optimization.

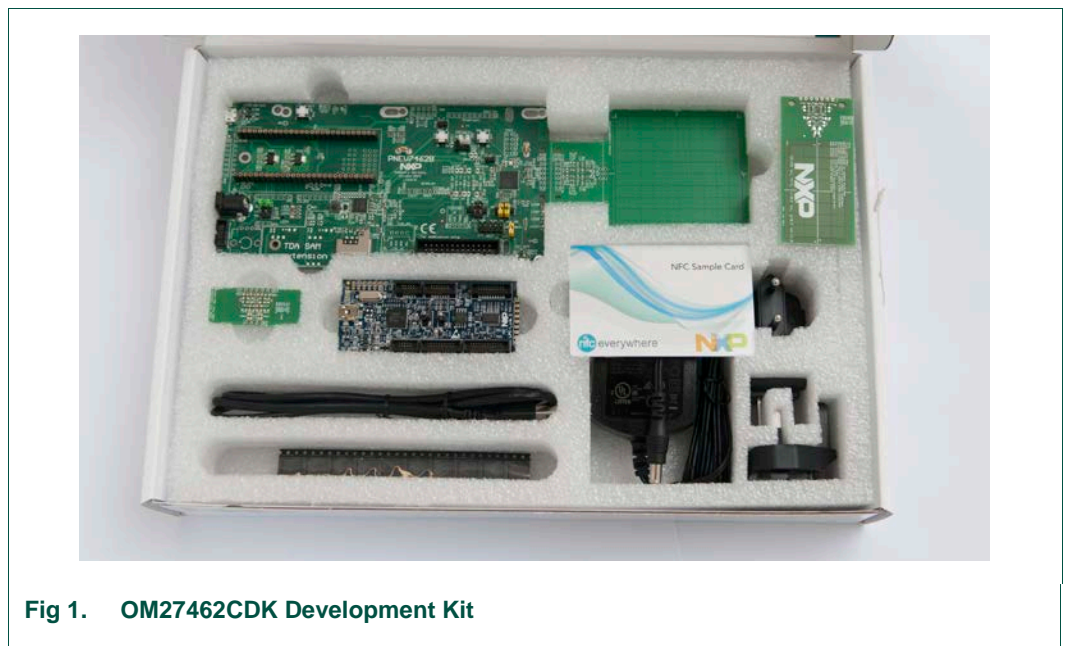
In this document the terms „MIFARE DESFire card“, „MIFARE Classic card“ and „MIFARE Ultralight card“ refer either to a MIFARE DESFire IC-based contactless card, a MIFARE Classic IC-based contactless card or a MIFARE Ultralight IC-based contactless card.

1.1 Introduction to PN7462 NFC Controller Development Kits

Both, the OM27462CDK and the OM27462CDKP development kits are parts of the PN7462 family product support package. Development Kits are designed to demonstrate all functionalities of the PN7462 family and eases development of customized applications and antenna design.

1.1.1 OM27462CDK

OM27462CDK Development Kit is based on the PNEV7462B board. Content of the Development Kit is displayed on the following picture.



Development Kit contains:

- (1) PNEV7462B board with standard 65x65mm antenna
- (2) 30x50mm antenna with matching components
- (3) 3 PCBs for individual antenna matching
- (4) Sample NFC cards and tags
- (5) 2 USB cables; A to mini and A to micro
- (6) 10 PN7462 samples
- (7) 7.5V DC power supply
- (8) LPC-Link 2 debug adapter (OM13054)

1.1.2 OM27462CDKP

OM27462CDKP Development Kit is based on the PNEV7462C board. Content of the Development Kit is displayed on the following picture.

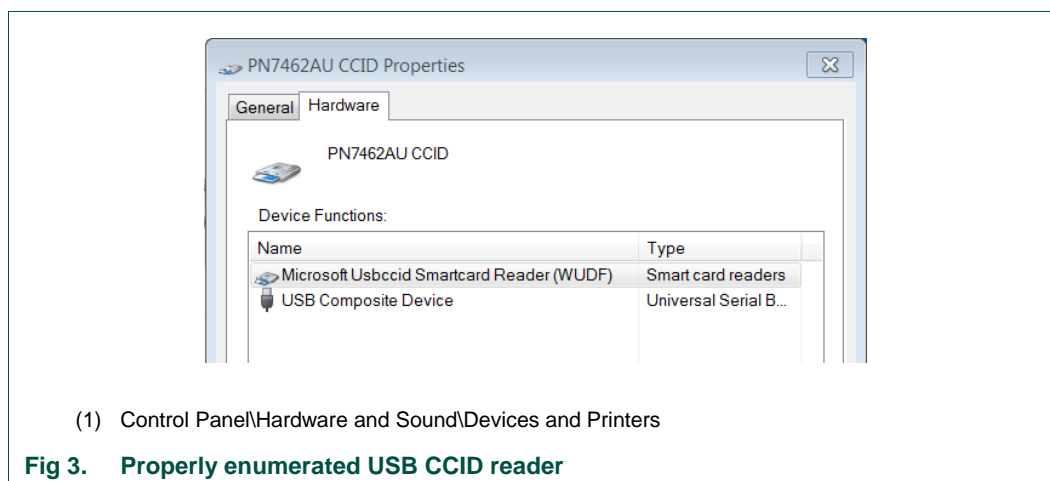


Fig 2. OM27462CDKP Development Kit

Development Kit contains:

- (1) PNEV7462C board with standard 65x65mm antenna
- (2) 30x50mm antenna with matching components
- (3) 3 x PCBs for individual antenna matching
- (4) Sample NFC cards and tags
- (5) 2 x USB cables: A to mini and A to micro
- (6) 5 x PN7462AU samples (HVQFN64)

(7) LPC-Link 2 debug adapter (OM13054)



At this point a favorite PC/SC application can be started and tested with cards contained in the kit.

2. Hardware overview of the PNEV7462B board

2.1 PNEV7462B concept

The basic concept of the PNEV7462B board is to enable hardware and software evaluation of typical PN7462 family design and to support prototyping own antenna circuitry. The supporting NFC Cockpit tool enables antenna tuning, DPC calibration and the related TX and RX optimization in run time.

After successful optimization, register settings can be stored in the PN7462AU EEPROM as well as saved in configuration file and used as input in design time.

PN7462AU FW and SW Examples available on the product page, ranging from POS demo, contact and contactless CCID reader, P2P application, NFC forum related examples, are customized primarily for PNEV7462B/C board and supported by MCUXpresso, Keil or IAR development tools.

2.2 PNEV7462B board

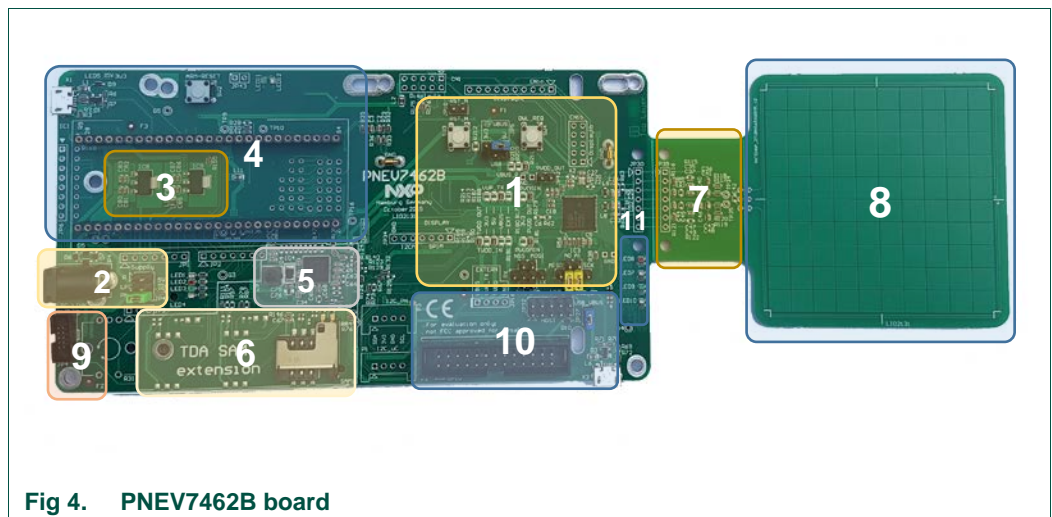


Fig 4. PNEV7462B board

The board consists of the following blocks:

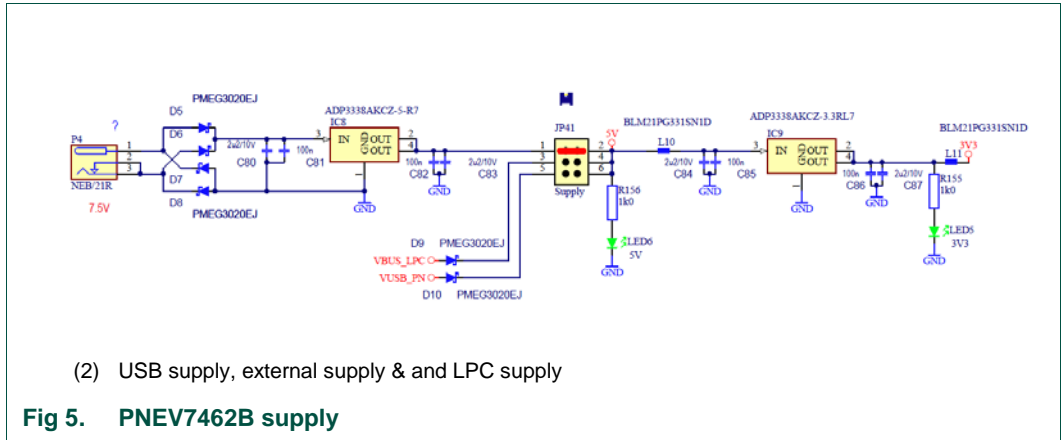
- (1) PN7462AU circuitry with reset and download pushbuttons,
- (2) External power supply connector (5.5/2.1 socket) and power supply selector,
- (3) LDO regulator circuit for 3.3V and 5V
- (4) LPCXpresso m-bed expansion circuit
- (5) TDA8026 multiple smart card interface circuit
- (6) Antenna coil and related matching circuit (marked in green and orange)
- (7) Smart card socket (main slot on bottom PCB layer) and SIM size slots on top layer
- (8) 65x65mm antenna coil
- (9) 10-pin Cortex debug connector
- (10) 26-pin shroud GPIO header and USB micro B female connector

(11) Diagnostic LED block connected to PN7462AU

2.2.1 Power circuitry

The power circuit consists of the power socket, diode bridge, selection jumper JP41 and two low dropout linear voltage regulators. Power options include USB and LPC-Link 2 but for the best performance external power source is recommended.

Note:
 PN7462B v2.1: external power supply 7.5V max.
 PN7462B v2.2: external power supply 13.5V max.



2.2.2 PN7462AU block

The main part on the evaluation board is PN7462AU. It features a 32-bit ARM Cortex-M0-based NFC microcontroller offering a one chip solution to build contact and contactless applications.

Key features are:

- 20 MHz Cortex-M0 core
 - 80/160 kB Flash, 12 kB RAM, 4 kB EEPROM
- State-of-the-art RF interface: Full NFC, EMVCo 2.6
 - Read/Write, Card Emulation & Peer-to-Peer Modes
 - Transmitter current up to 250 mA
 - Full MIFARE family support,
- DPC for optimized antenna performance
- Extensive host and peripheral interfaces
 - Host/slave & master interfaces: I2C, SPI, USB, HSUART, I2CM, SPIM
 - Optional contact interface (PN7462): UART, ISO/IEC 7816, EMVCo 4.3
 - 12 to 21 GPIOs

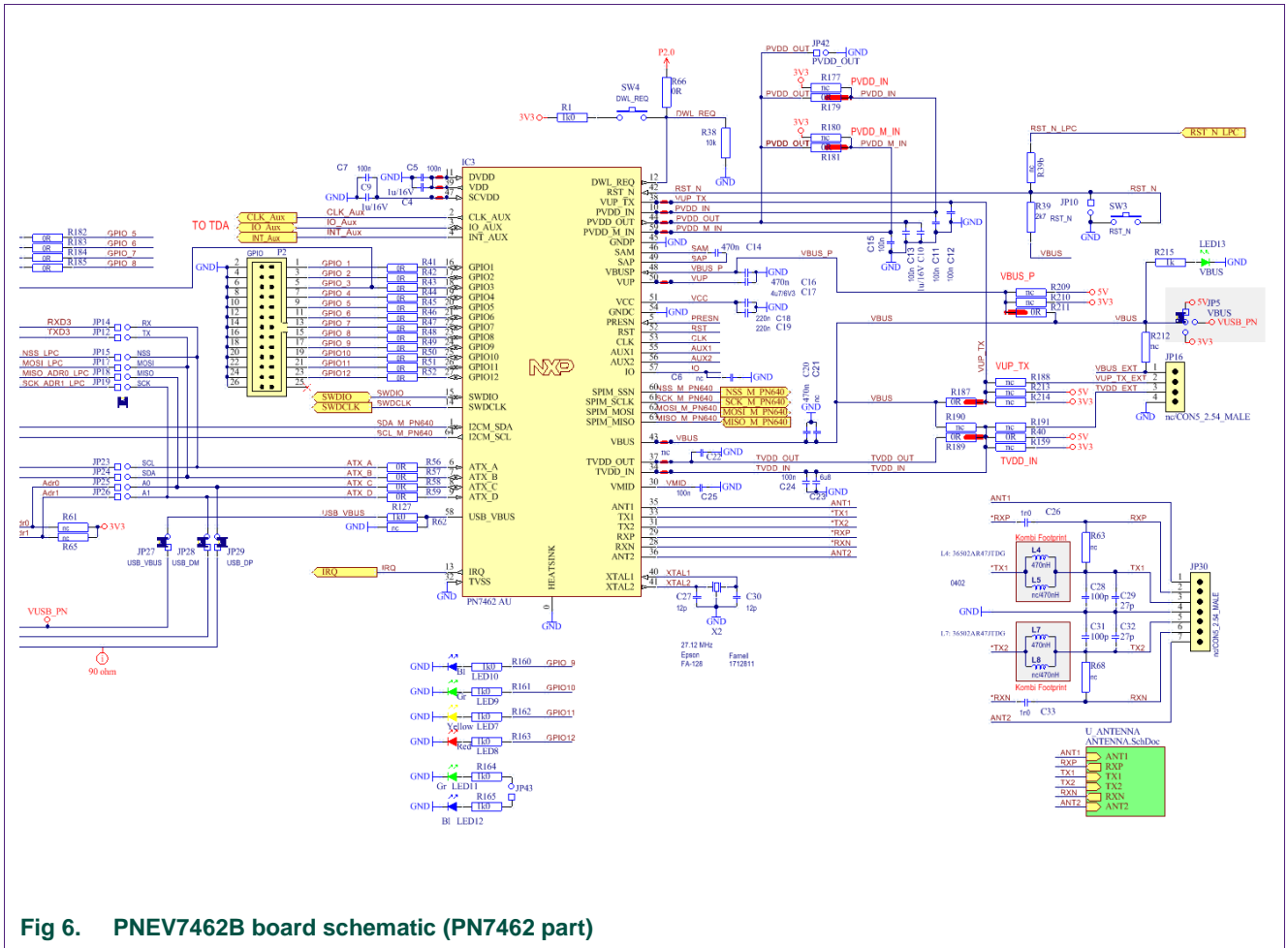


Fig 6. PNEV7462B board schematic (PN7462 part)

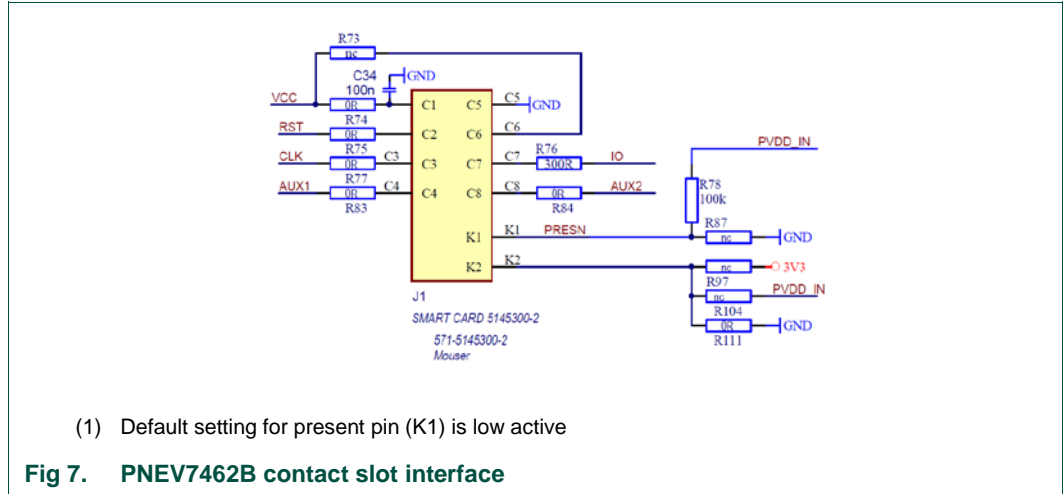
2.2.3 LPCXpresso block

This block provides expansion interface for LPCXpresso MCU board providing standard LPCXpresso/m-bed expansion connector (DIL54). LPCXpresso SPIM and I2CM interfaces are routed to the PN7462AU host interface selector.

Additionally, board features a USB micro B connector (X1) routed to the LPC board USB interface and the LPC board reset circuit. Diagnostic LED1-4 are connected to LPC port pins.

2.2.4 Smartcard interface

The PN7462AU integrates contact interface to enable communication with ISO7816 and EMVCo contact smart cards, without the need for an external contact front end. It offers a high level of security for the cards by performing current limitation, short-circuit detection, ESD protection as well as supply supervision. Card slot/contacter is located on the board bottom layer.



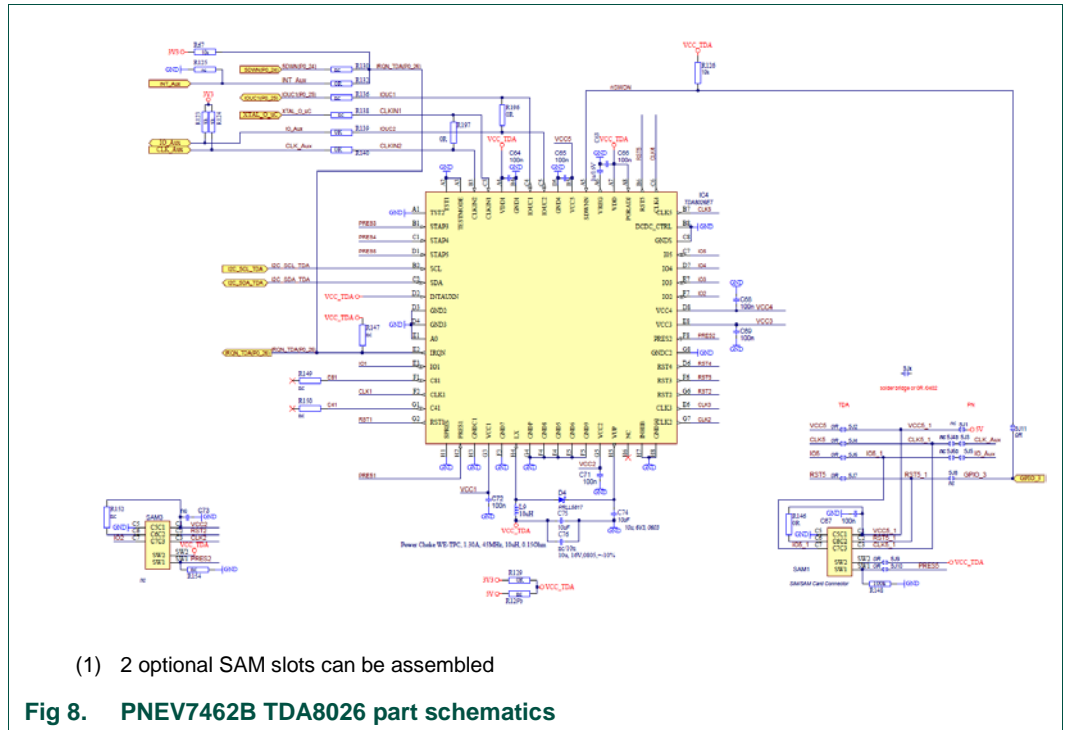
2.2.5 TDA SAM extension interfaces

The PN7462AU can handle more than one smart card by controlling an extra contact interface TDA8026 product from NXP. In this use case, the PN7462AU is the main controller for the electrical and protocol part for the main card slot, while the secondary slots are electrically controlled by an extra contact front-end interface (TDA), the PN7462AU being the protocol controller for these extra slots. TDA8026 I2C port is connected to the PN7462 I2CM to enable IC configuration.

In this case, several smart cards can be activated at the same time, but the communication with each smart card has to go sequentially: it is not possible to communicate with two smart cards at the same time as there is only one protocol control block for all cards.

TDA8026 is required to handle the smart card electrical interface. The connection between the PN7462AU and the TDA is composed of 2 channels:

- The host interface control, where the PN7462AU is the master, controlling the TDA behavior: card activation, deactivation, TDA configuration (voltage level, clock division, slew rates...)
- The ISO7816 link: the PN7462AU handles the ISO7816 communication protocol and uses the TDA as a level shifter for the clock and I/O signals.



2.2.6 Antenna coil and related matching circuit

In general, there are two antenna tunings possible with PNEV7462B board:

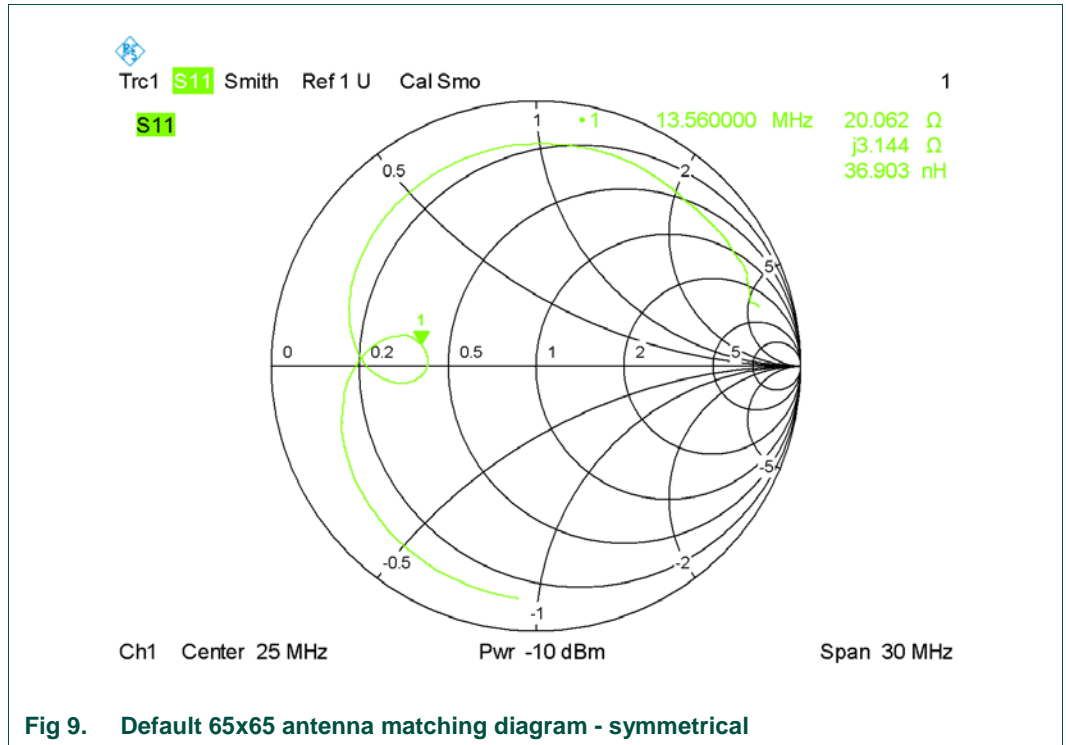
- asymmetrical
- symmetrical

The asymmetrical tuning is the standard tuning as taken from the existing NXP NFC frontend design recommendations. It uses EMC cut off frequencies >17MHz, which results in an asymmetrical transfer function, but shows a good detuning and loading behavior. The asymmetrical transfer function has some disadvantages regarding the pulse shapes and receiver performance, and requires a slightly reduced Q factor of the antenna coil circuit itself.

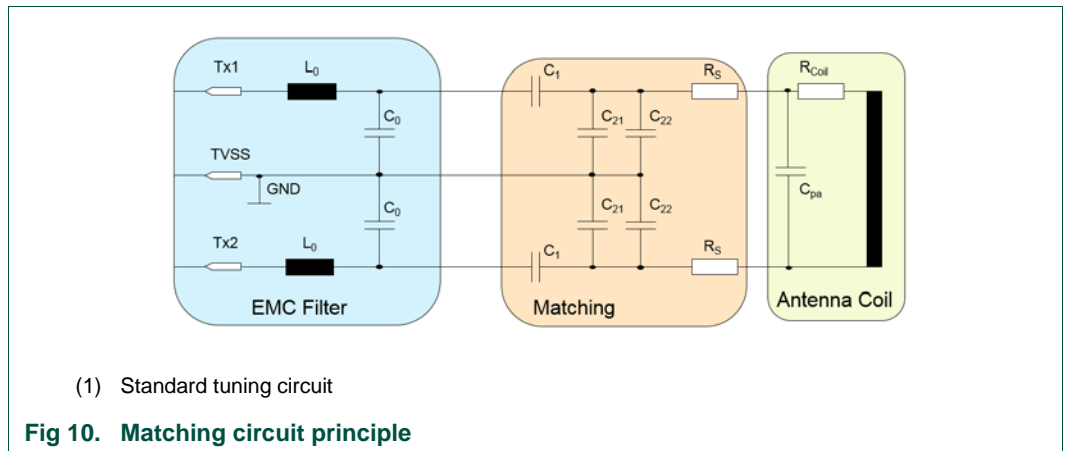
Symmetrical coupling is used with DPC (Dynamic Power Control) feature of the PN7462 and offers an improved overall RF performance. This requires the antenna to be “symmetrically” tuned and it requires the AGC to correlate with the driver current ITVDD, and it requires the dynamic power control to be properly calibrated. The DPC Antenna tuning (“symmetrical tuning with DPC) combines the advantages of enough field strength at 4cm with the automatic power control to limit the maximum field strength at a close distance. This tuning assures passing related EMVCo tests.

2.2.6.1 Default board antenna

Default 65x65 mm board antenna is designed to use symmetrical tuning (see Fig 9). This antenna is not an optimal antenna as such, but intends to demonstrate the performance and register settings of the PN7462 under typical design constraints like LCD or another metallic object (e.g. PCB) inside the antenna area. Inside of the antenna area is filed of 10x10 fields simulating metallic object in real application.



The antenna connection uses the standard tuning circuit Fig 10. The EMC filter is typically a second order low pass filter as shown in Fig 18, and contains an inductor (L_0) and a capacitor (C_0). The cut off frequency defines the overall detuning behavior as well as the transfer function of the antenna circuit. For symmetrical (DPC) tuning, EMC filter is designed with a cut off frequency of $f_{EMC} = 14,8$ MHz, and the antenna impedance is tuned to $Z = 20\Omega$.



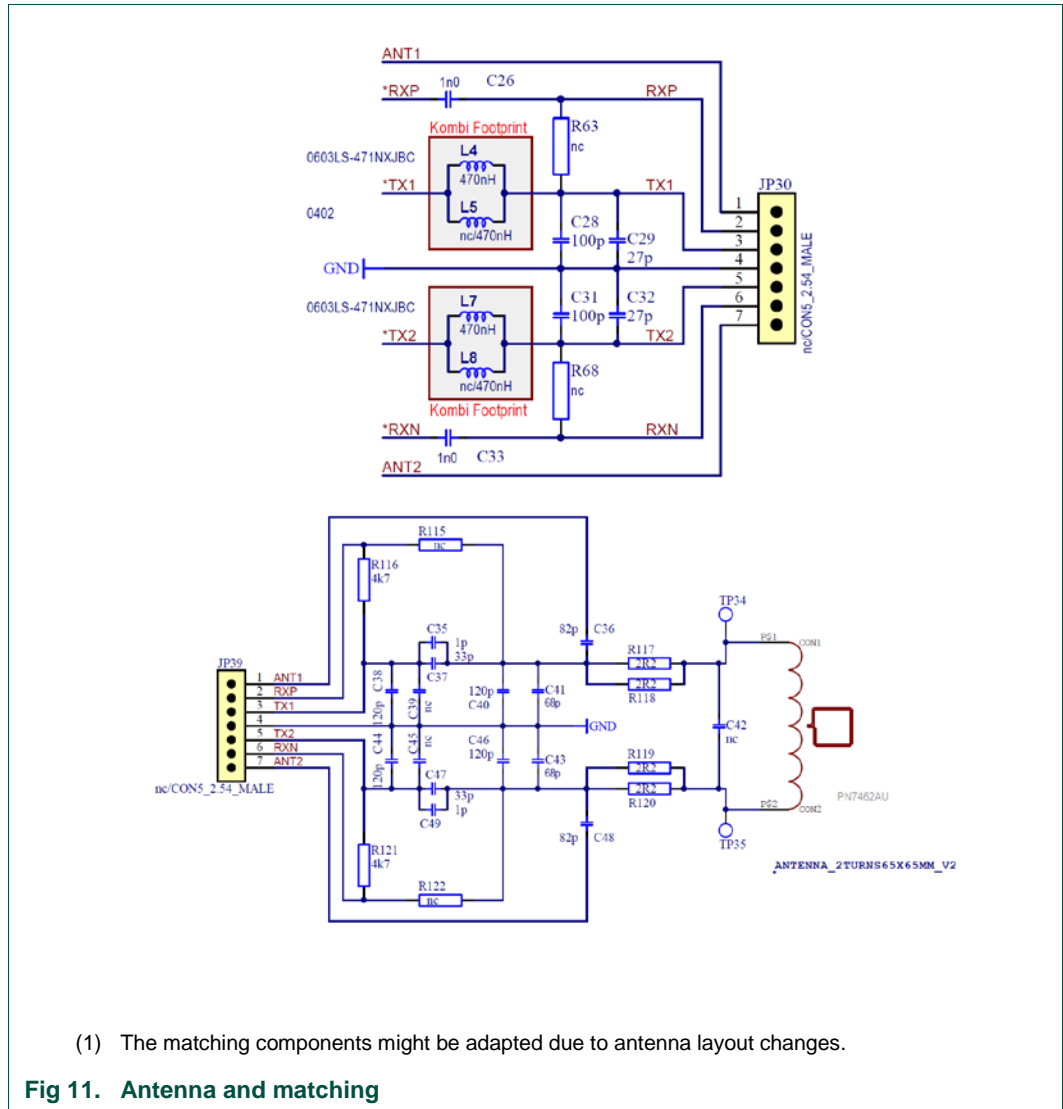


Table 1 lists components for the “symmetric” matching.

Table 1. Assembled matching components

General component	Component PNEV7462B	Value	Comment
L0	L4/ L7	470nH	PNEV7462B V2.1-> 0603LS-471NXJBC PNEV7462B V2.2-> 36502AR47JTDG
C0	C28/ C31	100pF	C0 split in 3 parallel capacitors
	C29/ C32	27pF	
	C38/ C44	120pF	
C1	C35/ C49	33pF	

General component	Component PNEV7462B	Value	Comment
	C37/ C47	1pF	C1 split in 2 parallel capacitors
C21	C40/ C46	120pF	
C22	C41/ C43	68pF	
R _s	R117/ R119	2,2Ω	R _s split in 2 parallel resistors
	R118/ R120	2,2Ω	

Note: Without proper DPC calibration the loading and detuning might exceed the ITVDD limit, if the symmetrical tuning is used. This might destroy the NFC reader IC

2.2.6.2 PCB for individual antenna matching

Development kit contains 3 PCB boards for individual antenna matching. This boards are intended for prototyping custom asymmetrical or symmetrical (DPC) antenna design. Default matching circuit can be replaced by individual antenna matching PCB.

2.3 PNEV7462B board available versions

Following Versions of the PNEV7462B board are available

- PNEV7462B V2.1
- PNEV7462B V2.2

2.3.1 PNEV7462B V2.1

The V2.1 of the customer evaluation board is the initial version of the board that comes with the launch of the PN7462AU chip.

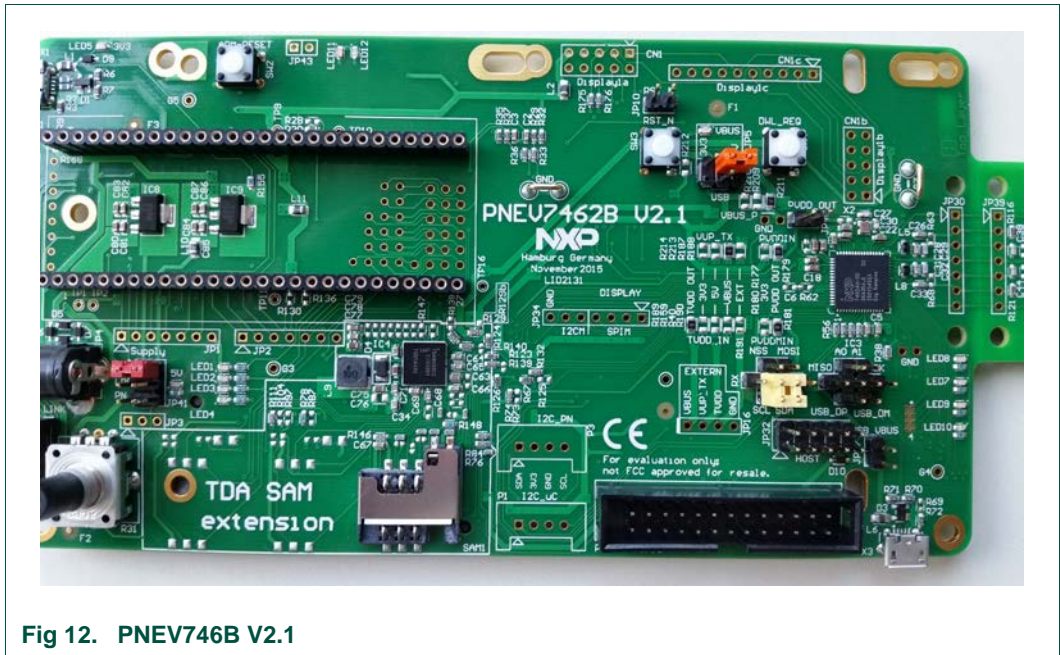


Fig 12. PNEV746B V2.1

2.3.2 PNEV7462B V2.2

The V2.2 of the customer evaluation board is the replacement and latest version of the customer evaluation board incl. FCC certification. Functionality of the V2.2 is the same as of V2.1.

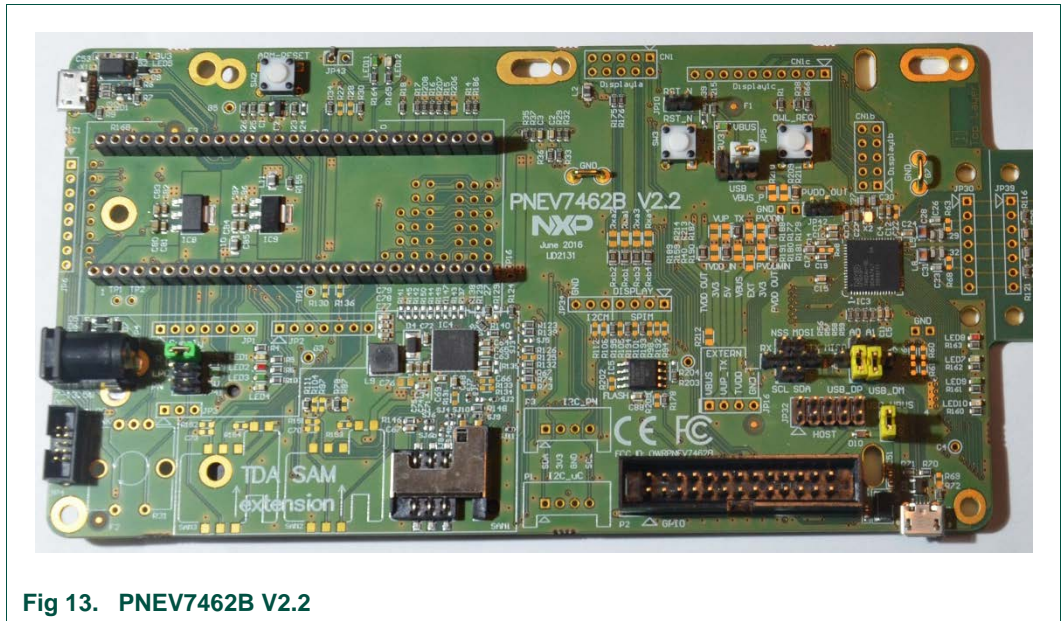


Fig 13. PNEV7462B V2.2

Design changes V2.1 to V2.2:

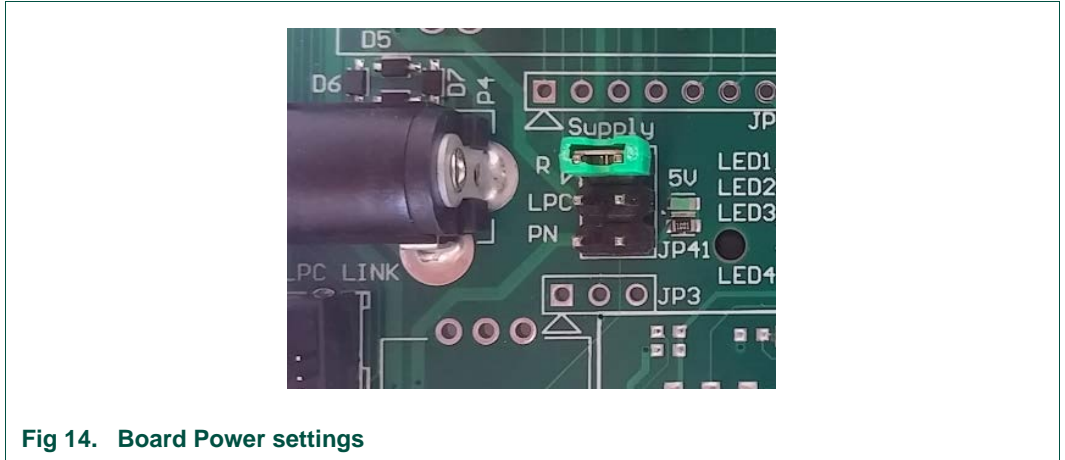
- External supply maximum value increased from 7.5V to 12V
- Different routing (PNEV7462B V2.1 stays the board reference design which can be obtained from the NXP DocStore [8]). Layout recommendations for NFC readers can be found in AN11090.
- Changed EMC filter components

3. Configuration of the PNEV7462B board

3.1 Board power settings

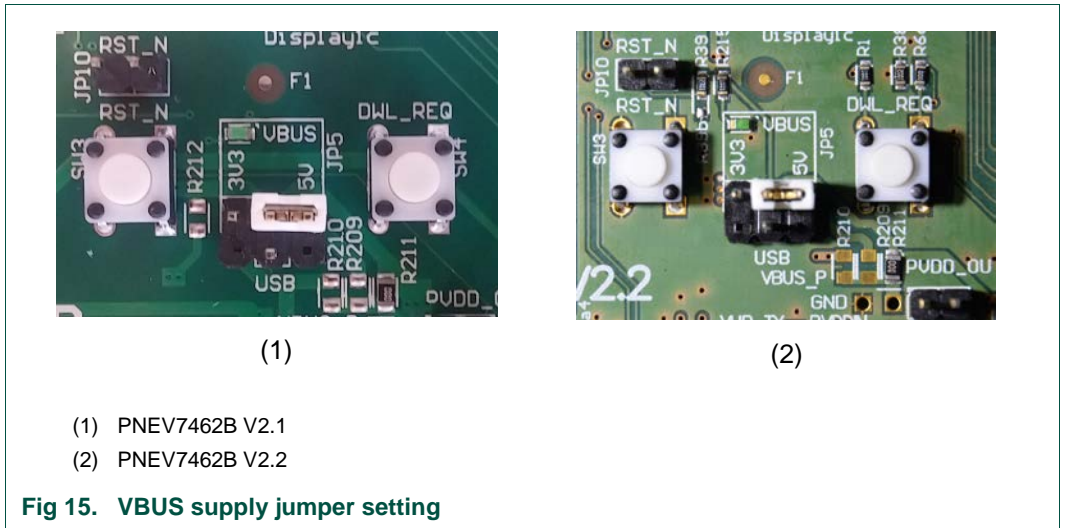
There are three power supply options on the PNEV7462B board. It can be powered either from an external off-board power supply on DC power connector, from LPC USB connector X1 and from USB port on connector X3.

Jumper JP41 setting (Fig 14) needs to be done to prepare the board for one of the power supply options.



3.1.1 PN7462AU supply options

The boards offer several ways of supplying the PN7462AU IC. The main chip supply (VBUS) can be set to 5V, 3.3 V or USB supply. The corresponding setting is described in Fig 15



3.1.2 Power supply status LED

If all jumpers are set correctly, the following LEDs should light green:

3V3, 5 V and VBUS. In Fig 16 the position of the three different LED's is shown.

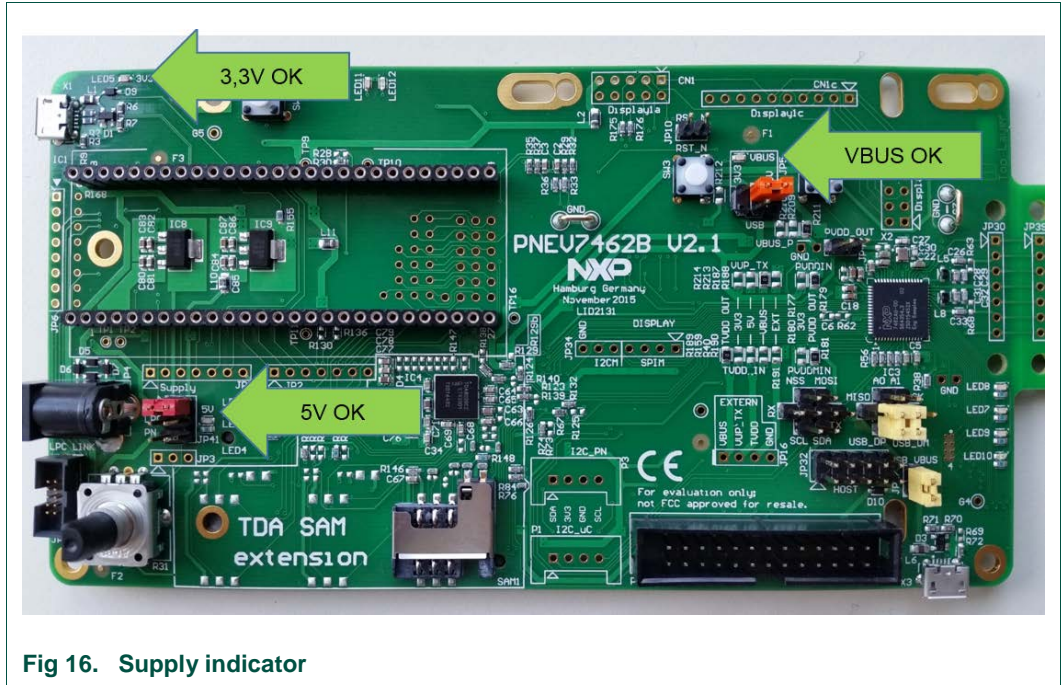


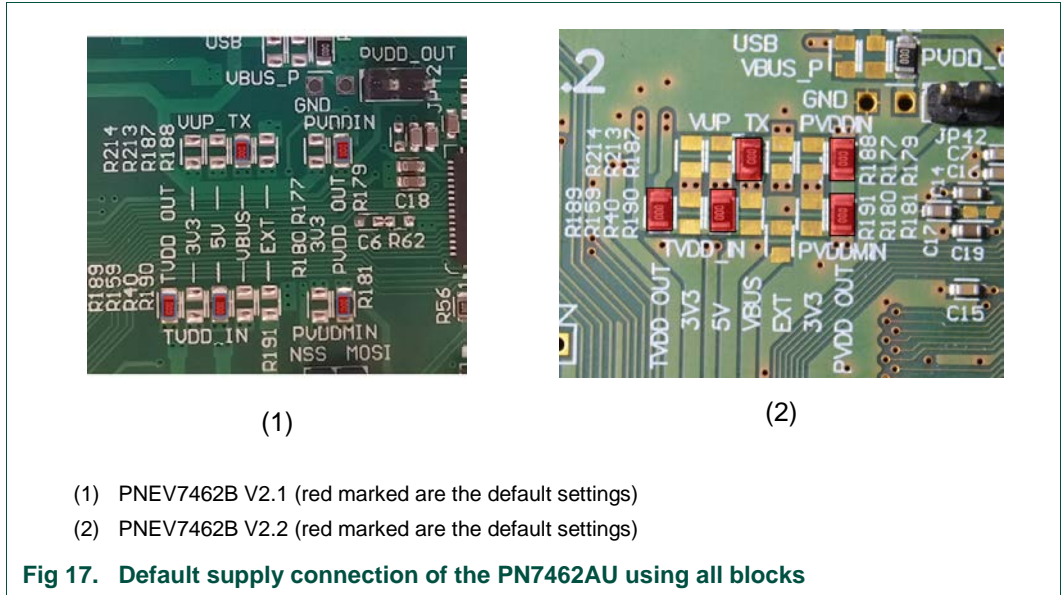
Fig 16. Supply indicator

3.1.3 Supply options for PVDD, VUP_TX and TVDD

The PN7462AU allows different options of supplying PVDD_IN, PVDDM_IN as well as for TVDD_IN and VUP_TX.

The default setting is to use the internal supply for PVDD as well as TVDD. That means default setting is PVDD_IN connected to PVDD_OUT, and TVDD_IN connected to TVDD_OUT.

The default setting on the board is marked in Fig 17.



To change settings, the corresponding shortcut resistors (marked in Fig 17) needs to be placed to the corresponding position (default settings are marked in green):

Table 2. Supply options

Supply options	
VUP_TX	3V3
	5V
	VBUS
	EXT
TVDD_IN	TVDD_OUT
	3V3
	5V
	VBUS
PVDD_IN	EXT
	3V3
	PVDD_OUT
	PVDDM_IN
PVDDM_IN	3V3
	PVDD_OUT

Note:
 If PVDD is externally supplied, the Jumper 42 (PVDD_OUT) needs to be set. By setting this Jumper the PVDD_OUT is shorted to GND and the PN7462AU turns off the PVDD LDO.

3.2 Host interface configuration

The PN7462AU supports interfacing one out of the four different host: USB 2.0 full speed with USB 3.0 hub connection capability, HSUART for serial communication, supporting standards speeds from 9600 bit/s to 115200 bit/s, and faster speed up to 1.288 Mbit/s, SPI with half duplex and full duplex capability with speeds up to 7 Mbit/s and I2C supporting standard mode, fast mode and high-speed mode with multiple address support.

The PN7462AU connects to host through four pads with alternate function: ATX_A, ATX_B, ATX_C and ATX_D. The ATX pads are routed at the JP32 10-pin header, according the following table:

Table 3. PN7462 HIF pins

Pin name	Description	JP32 pin
ATX_A	HSU_RX/I2C_SCL/SPI_NSS	1
ATX_B	HSU_TX/I2C_SDA/SPI_MOSI	3
ATX_C	HSU_RTS_N/SPI_MISO/USB_DP	5
ATX_D	HSU_CTS_N/SPI_MOSI/USB_DM	7

3.2.1.1 USB Host Interface configuration

The yellow marked jumpers on the following picture shows how the board needs to be set for using the USB host interface of the chip. The USB micro connector X3 is located in the lower right corner of the board.

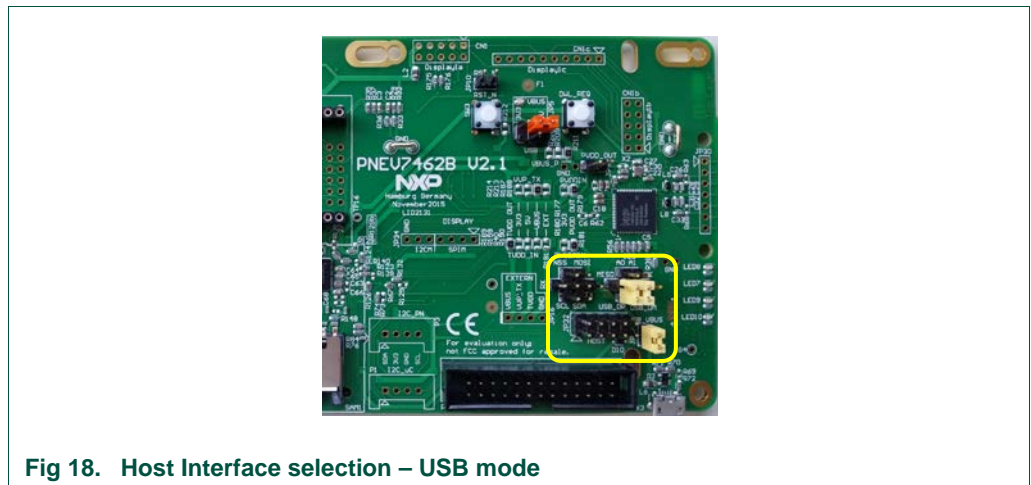
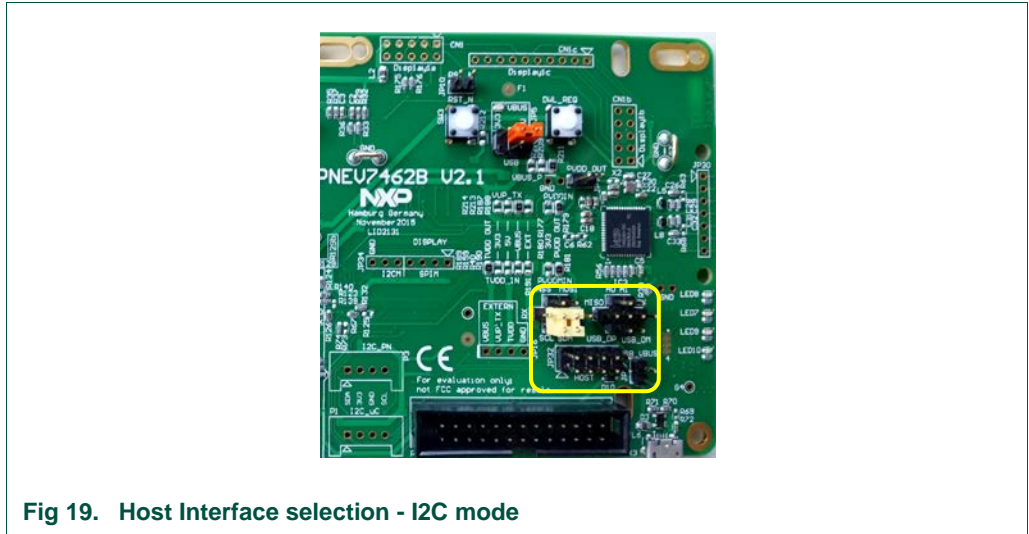


Fig 18. Host Interface selection – USB mode

3.2.1.2 I2C Host Interface configuration

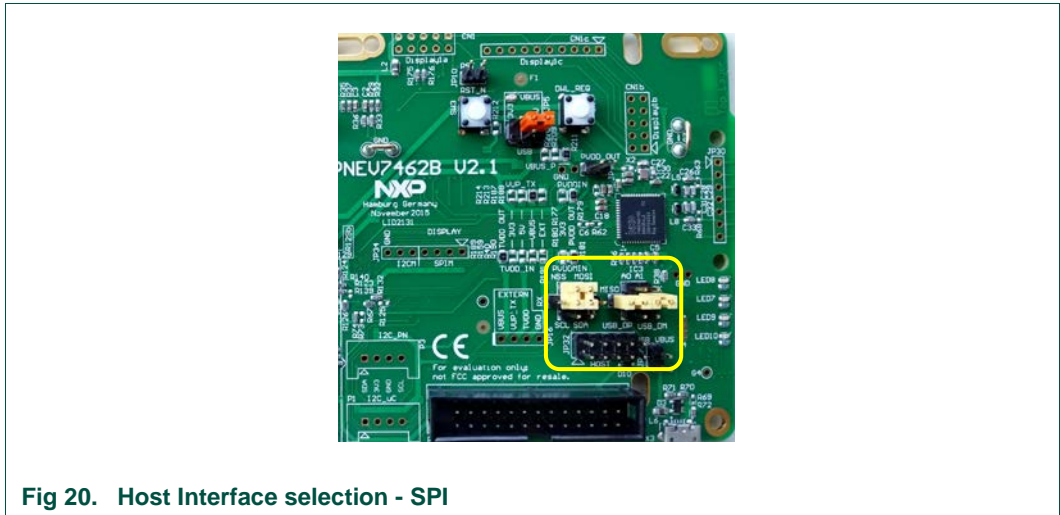
The yellow marked jumpers (Fig 18) needs to be set for using the I2C host interface of the chip with LPCXpresso expansion board. This will connect the I2C SCL of the PN7462AU to the I/O P0 (28) and also the I2C SDA of the PN7462AU to the I/O P0(27) of the LPCXpresso board.



In case that external host needs to be connected to the PN7462 over I²C interface then corresponding I²C interface lines can be accessed directly on the JP32 according the Table 3 and additional jumper configuration is not needed.

3.2.1.3 SPI Host Interface configuration

The yellow marked jumpers (Fig 20) needs to be set for using the SPI host interface of the chip. This will connect the SPI_MOSI of the PN7462AU to the I/O P0(18), SPI_MISO to the I/O P0(17), SCK to the I/O P0(15), and also the NSS of the PN7462AU to the I/O P0(16) of the LPCXpresso board.



In case that external host needs to be connected to the PN7462 over SPI interface then corresponding SPI interface lines can be accessed directly on the JP32 according the Table 3 and additional jumper configuration is not needed.

3.2.1.4 HSUART Interface configuration

The yellow marked jumpers (Fig 21) needs to be set to select HSUART host interface. This will connect the UART_RX of the PN7462AU to the I/O P0(0), UART_TX of the PN7462AU to the I/O P0(1) of the LPCXpresso board extension m-bed connector.

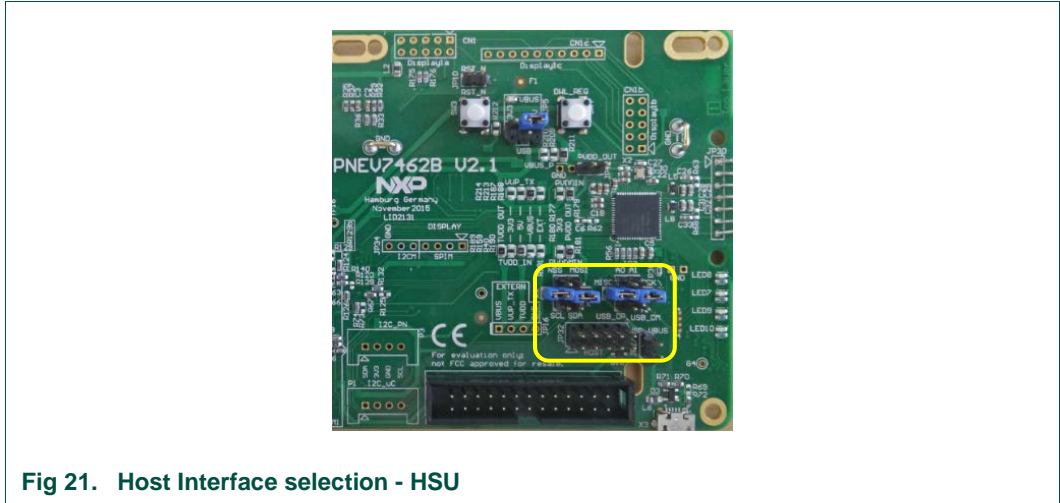


Fig 21. Host Interface selection - HSU

In case that external host needs to be connected to the PN7462 over HSUART interface then corresponding HSUART interface lines (RX, TX, CTS, RTS) can be accessed directly on the JP32 according the Table 3 and additional jumper configuration is not needed.

3.2.2 Debug interface

The PNEU7462B board is equipped with a SWD interface. The SWD 10-pin Cortex connector is placed in the bottom left corner of the board. LPC-Link 2 standalone debug probe can be used to flash or debug application on the PN7462AU as illustrated on the Fig 22.

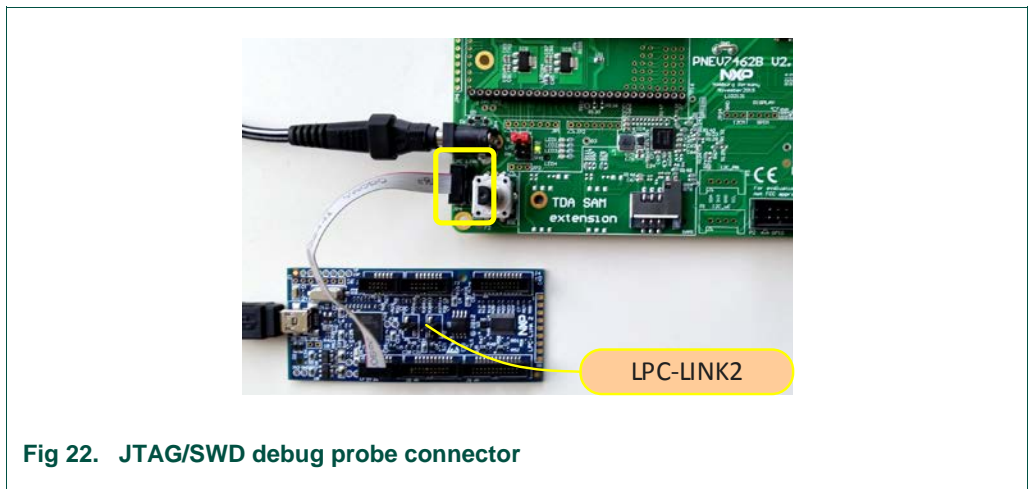


Fig 22. JTAG/SWD debug probe connector

4. Hardware overview of the PNEV7462C board

4.1 PNEV7462C board concept

The basic concept of the PNEV7462C board is to enable hardware and software evaluation of typical PN7462 family design and to support prototyping own antenna circuitry. The supporting NFC Cockpit tool enables antenna tuning, DPC calibration and the related TX and RX optimization in run time.

After successful optimization, register settings can be stored in the EEPROM as well as saved in configuration file and used as input in design time.

[PN7462AU FW and SW Examples](#) available on the product page, ranging from POS demo, contact and contactless CCID reader, P2P application, NFC forum related examples, are customized primarily for PNEV7462B/C board and supported by MCUXpresso, Keil or IAR development tools.

4.2 PNEV7462C board overview

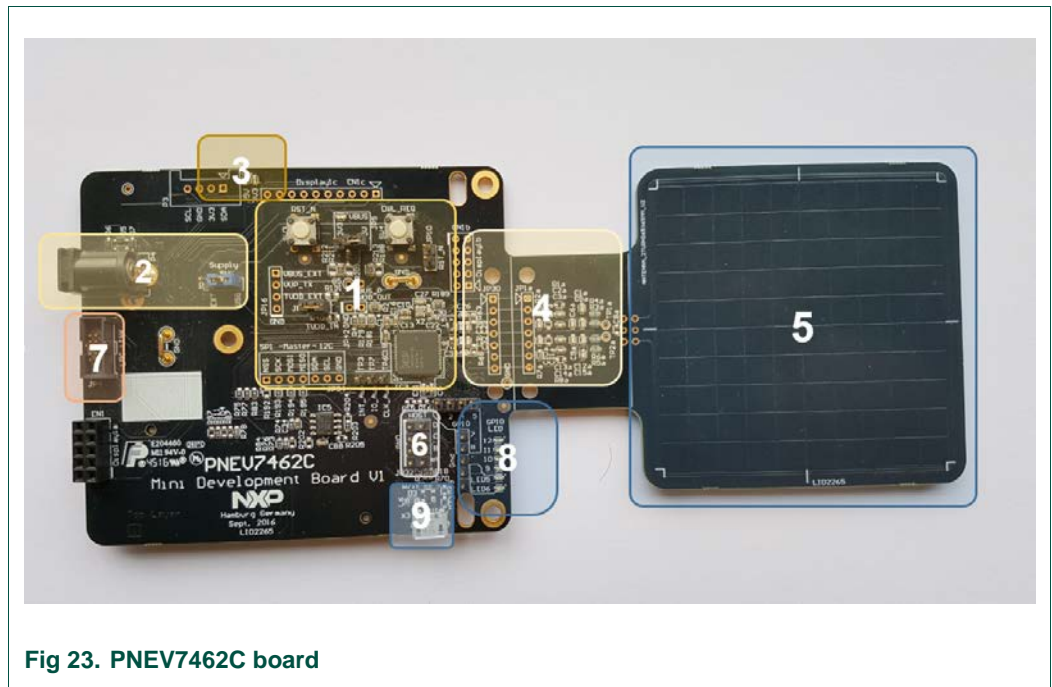


Fig 23. PNEV7462C board

The board consists of the following blocks:

1. PN7462AU circuitry with reset and download pushbuttons and power configurations
2. External power supply connector (5.5/2.1 socket) and power supply selector
3. Power supply status LEDs for 3.3V and 5V
4. Antenna matching circuit and antenna connector
5. 65x65mm antenna coil
6. HIF (host interface) SPI, I2C and USART pins
7. SWD interface (10-pin Cortex debug connector)

- 8. GPIO header and LEDs
 - 9. USB interface - micro USB connector X3
- Note: on the bottom side is placed smartcard connector

4.2.1 Power circuitry

The power circuit consists of the power socket, diode bridge, selection jumper JP2 and two low dropout linear voltage regulators. Power options include USB and External but for the best performance external power source is recommended.

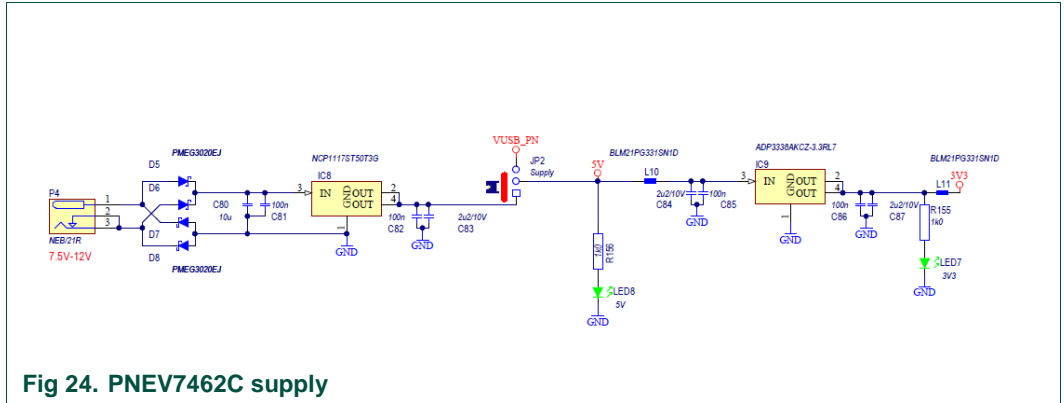


Fig 24. PNEV7462C supply

4.2.2 PN7462AU block

The main part on the evaluation board is PN7462AU. It features a 32-bit ARM Cortex-M0-based NFC microcontroller offering a one chip solution to build contact and contactless applications.

Key features are:

- 20 MHz Cortex-M0 core
 - 80/160 kB Flash, 12 kB RAM, 4 kB EEPROM
- State-of-the-art RF interface: Full NFC, EMVCo 2.6
 - Read/Write, Card Emulation & Peer-to-Peer Modes
 - Transmitter current up to 250 mA
 - Full MIFARE family support,
- DPC for optimized antenna performance
- Extensive host and peripheral interfaces
 - Host/slave & master interfaces: I2C, SPI, USB, HSUART, I2CM, SPIM
 - Optional contact interface (PN7462): UART, ISO/IEC 7816, EMVCo 4.3
 - 12 to 21 GPIOs

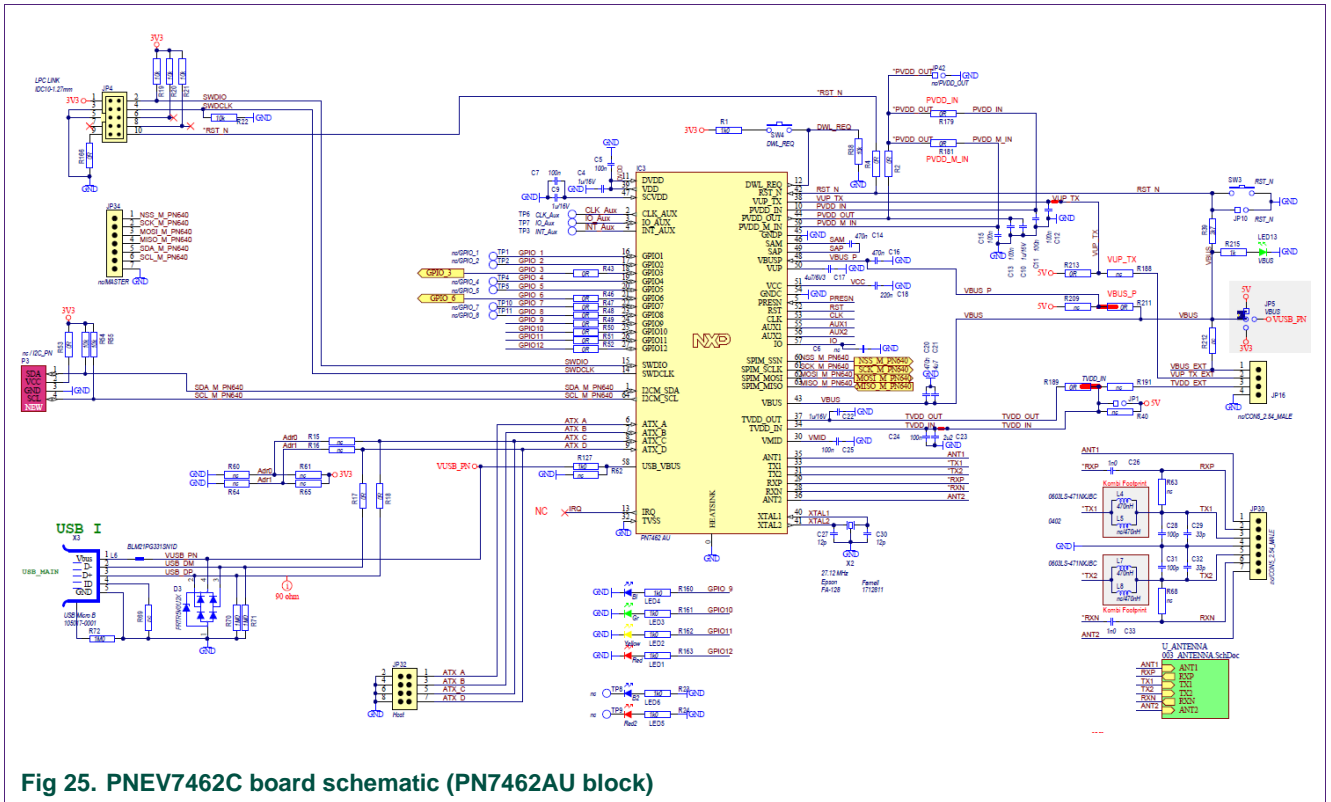
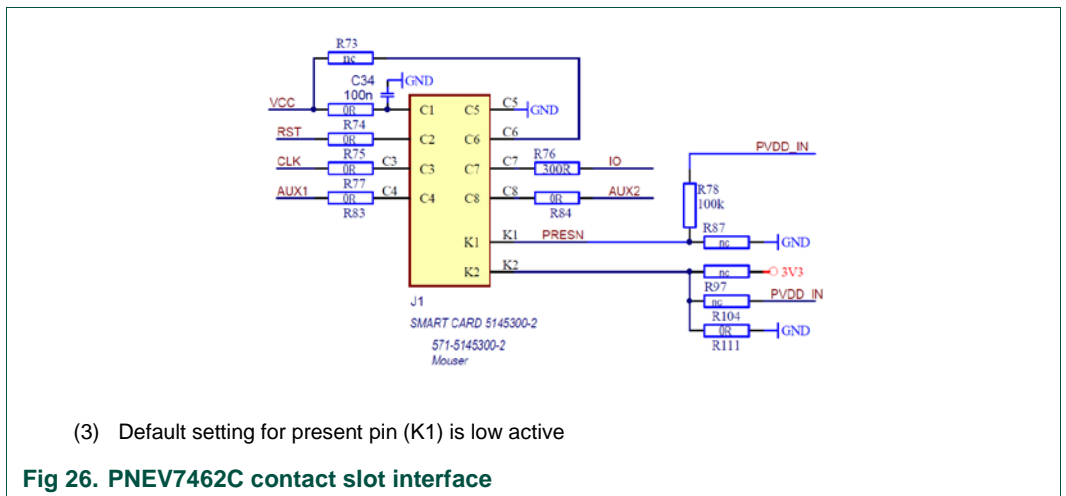


Fig 25. PNEV7462C board schematic (PN7462AU block)

4.2.3 Smartcard interface

The PN7462AU integrates contact interface to enable communication with ISO7816 and EMVCo contact smart cards, without the need for an external contact front end. It offers a high level of security for the cards by performing current limitation, short-circuit detection, ESD protection as well as supply supervision. Card slot/contacter is located on the board bottom side.



(3) Default setting for present pin (K1) is low active

Fig 26. PNEV7462C contact slot interface

4.2.4 Antenna coil and related matching circuit

In general, there are two antenna tunings possible with the board:

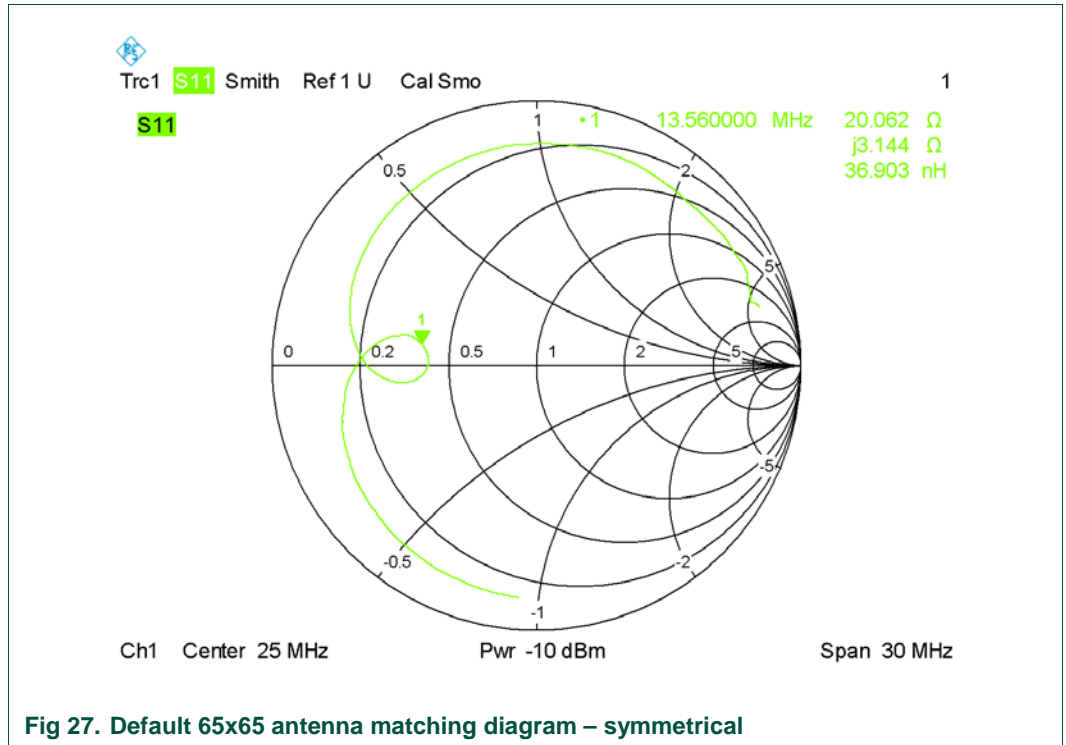
- asymmetrical
- symmetrical

The asymmetrical tuning is the standard tuning as taken from the existing NXP NFC frontend design recommendations. It uses EMC cut off frequencies >17MHz, which results in an asymmetrical transfer function, but shows a good detuning and loading behavior. The asymmetrical transfer function has some disadvantages regarding the pulse shapes and receiver performance, and requires a slightly reduced Q factor of the antenna coil circuit itself.

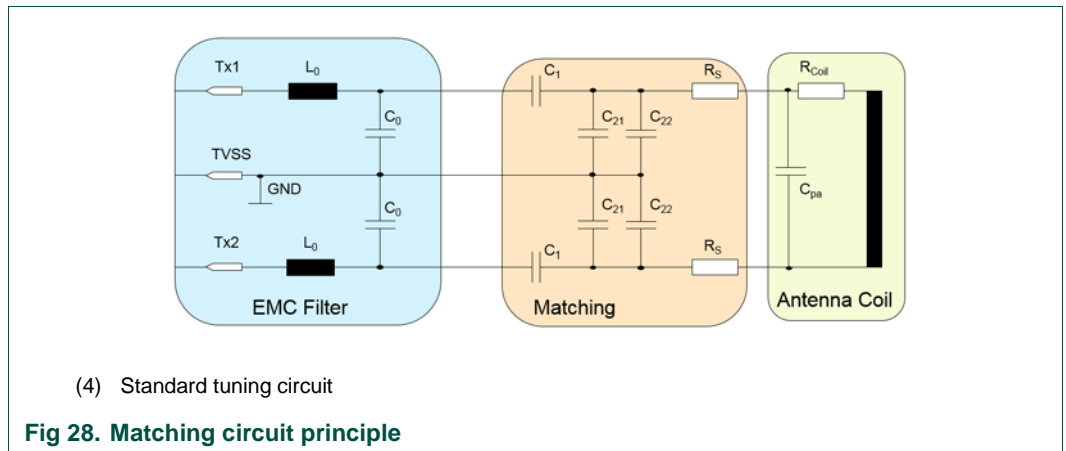
Symmetrical coupling is used with DPC (Dynamic Power Control) feature of the PN7462AU and offers an improved overall RF performance. This requires the antenna to be “symmetrically” tuned and it requires the AGC to correlate with the driver current ITVDD. and it requires the dynamic power control to be properly calibrated. The DPC Antenna tuning (“symmetrical tuning with DPC) combines the advantages of enough field strength at 4cm with the automatic power control to limit the maximum field strength at a close distance. This tuning assures passing related EMVCo tests.

4.2.4.1 Default board antenna

Default 65x65 mm board antenna is designed to use symmetrical tuning (see Fig 9). This antenna is not an optimal antenna as such, but intends to demonstrate the performance and register settings of the PN7462 under typical design constraints like LCD or another metallic object (e.g. PCB) inside the antenna area. Inside of the antenna area is filed of 10x10 fields simulating metallic object in real application.



The antenna connection uses the standard tuning circuit Fig 10. The EMC filter is typically a second order low pass filter as shown in Fig 18, and contains an inductor (L_0) and a capacitor (C_0). The cut off frequency defines the overall detuning behavior as well as the transfer function of the antenna circuit. For symmetrical (DPC) tuning, EMC filter is designed with a cut off frequency of $f_{EMC} = 14,8$ MHz, and the antenna impedance is tuned to $Z = 20\Omega$.



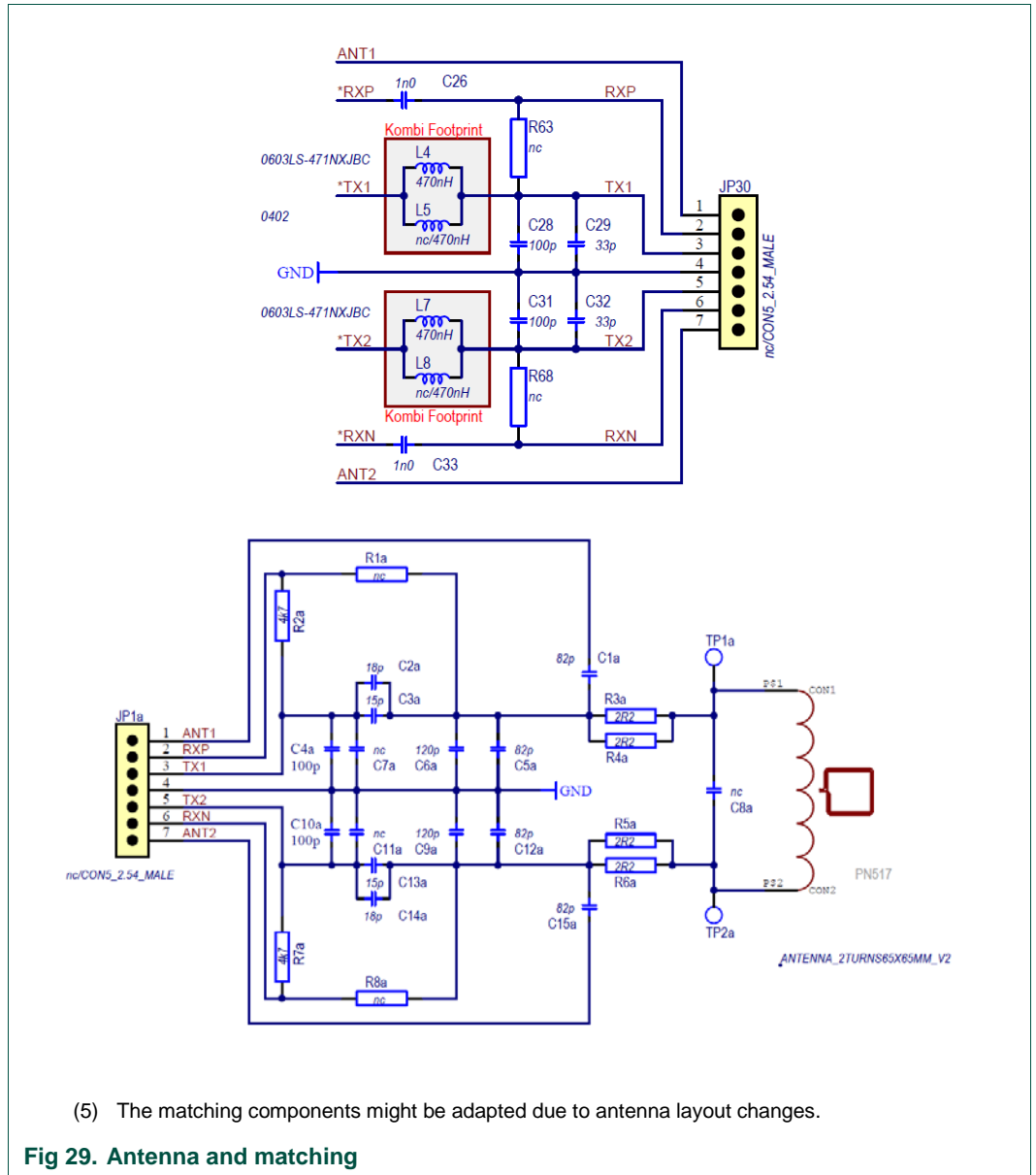


Table 1 lists components for the “symmetric” matching.

Table 1. Assembled matching components

General component	Component PNEV7462C	Value	Comment
L0	L4/ L7	470nH	36502AR47JTDG
C0	C28/ C31	100pF	C0 split in 3 parallel capacitors
	C29/ C32	27pF	
	C38/ C44	120pF	

General component	Component PNEV7462C	Value	Comment
C1	C35/ C49	33pF	C1 split in 2 parallel capacitors
	C37/ C47	1pF	
C2 ₁	C40/ C46	120pF	
C2 ₂	C41/ C43	68pF	
R _s	R117/ R119	2,2Ω	R _s split in 2 parallel resistors
	R118/ R120	2,2Ω	

Note: Without proper DPC calibration the loading and detuning might exceed the ITVDD limit, if the symmetrical tuning is used. This might destroy the NFC reader IC

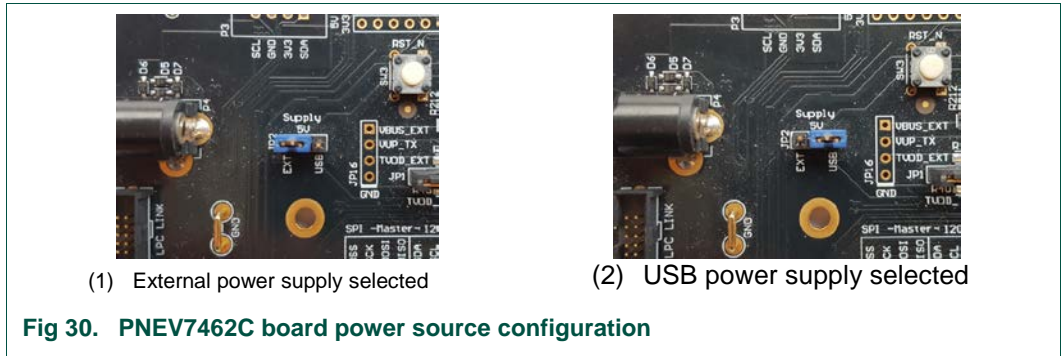
4.2.4.2 PCB for individual antenna matching

Development kit contains 3 PCB boards for individual antenna matching. This boards are intended for prototyping custom asymmetrical or symmetrical (DPC) antenna design. Default matching circuit can be replaced by individual antenna matching PCB.

5. Configuration of the PNEV7462C

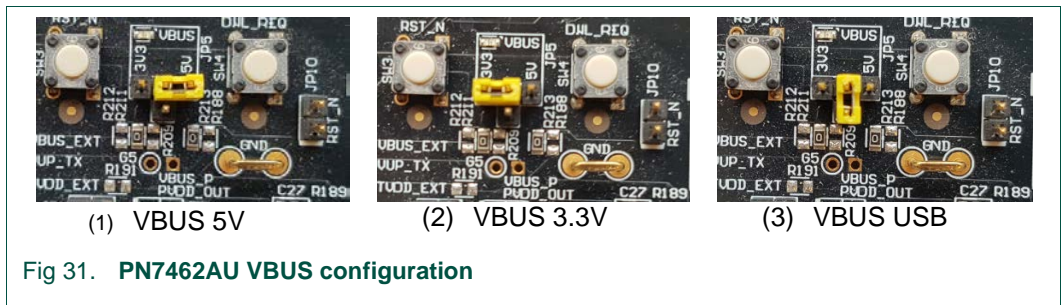
5.1 PNEV7462C Board power settings

The PNEV7462C can be powered either from an external off-board power supply on the DC power connector or from the USB port on connector X3. Jumper JP2 setting (Fig 30) needs to be done to select the power source.



5.2 PN7462AU IC power supply options

The PN7462AU IC main supply voltage input of the microcontroller (VBUS) can be configured to 5V, 3.3 V or USB, by setting the VBUS jumper as described in Fig 31



5.3 Power supply status LEDs

If all board jumpers are correctly set, the following LEDs should light green: 3V3, 5 V and VBUS. In the Fig 32 the position of the status LED's is shown.

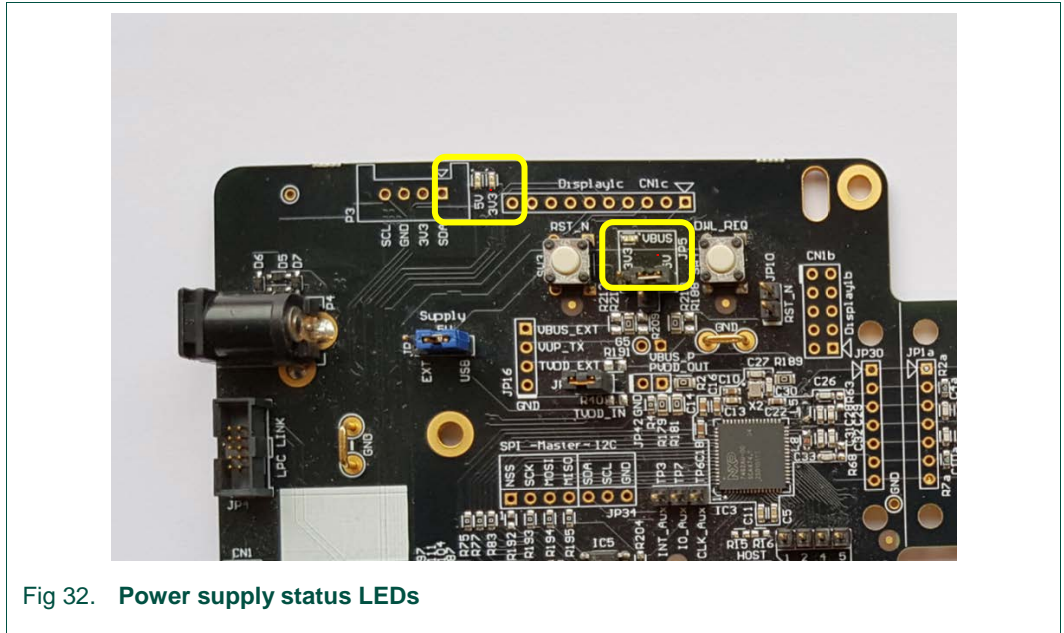


Fig 32. Power supply status LEDs

5.4 Supply options for PVDD, PVDD_M, VUP_TX and TVDD

The PN7462AU allows different options of supplying:

- PVDD_IN (pad supply voltage input)
- PVDD_M_IN (pad supply voltage input for master interfaces)
- VUP_TX (supply of the contactless TX_LDO)
- TVDD_IN (antenna driver supply voltage input)

5.4.1 Supply options for PVDD and PVDD_M

The default power setting for pad supply is to use the internal LDO supply for PVDD and PVDDM, in this cases JP42 is open and resistor jumper R181 and R179 placed.

If external 3V3 supply is needed then R179 and R181 needs to be removed. JP42 closed to turn off internal LDO and 3V3 directly soldered to the R179 and R181 pads marked red Fig 33.

5.4.2 Supply options for VUP_TX

Internal contactless TX LDO is by default supplied from on board 5V LDO. In this case resistor jumper R213 is placed and R188 removed.

To supply VUP_TX from external source from JP16 pin 2, R213 needs to be removed and resistor jumper R188 needs to be placed. See Fig 33, jumper resistors are marked green.

5.4.3 Supply options for TVDD

Antenna driver supply voltage input, TVDD_IN is by default supplied from the board's 5V LDO. In this case (on board 5V) jumper JP1 is closed (see Fig 25).

To supply TVDD_IN from external source from JP16 pin 3, the jumper resistor R191 needs to be placed and R189 needs to be removed. The jumper resistors R189 and R191 are marked yellow on the Fig 33.

To supply TVDD_IN from internal TX LDO, TVDD_IN needs to be shorted to TVDD_OUT, this is assured by placing R189 jumper resistor and removing R191. Internal TX LDO is activated by software and corresponding setting is in EEPROM configuration.

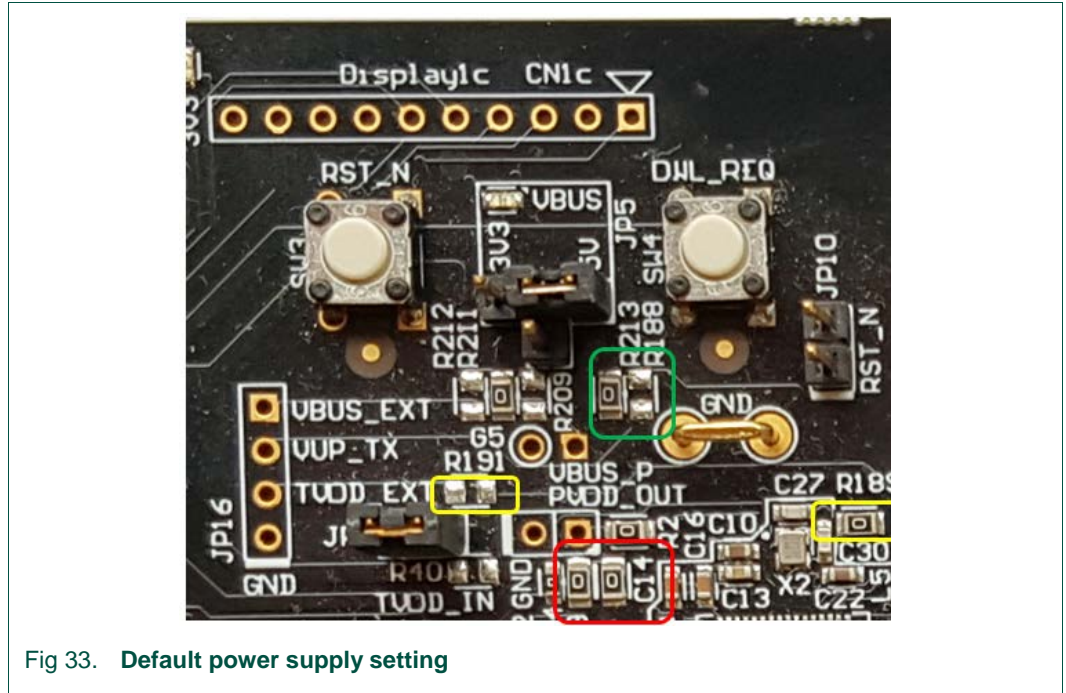


Fig 33. Default power supply setting

5.5 Host interfaces

The PN7462AU supports interfacing one out of the four different host at the time:

- USB 2.0 full speed with USB 3.0 hub connection capability,
- HSUART for serial communication, supporting standards speeds from 9600 bit/s to 115200 bit/s, and faster speed up to 1.288 Mbit/s,
- SPI with half duplex and full duplex capability with speeds up to 7 Mbit/s
- I2C supporting standard mode, fast mode and high-speed mode with multiple address support.

The PN7462AU connects to host through four pads with alternate function: ATX_A, ATX_B, ATX_C and ATX_D. These pads are routed at the JP32 8-pin header according the following table:

Table 2. PN7462 HIF pins

Pin name	JP32	Description
ATX_A	1	HSU_RX/I2C_SCL/SPI_NSS
ATX_B	3	HSU_TX/I2C_SDA/SPI_MOSI
ATX_C	5	HSU_RTS_N/SPI_MISO/USB_DP
ATX_D	7	HSU_CTS_N/SPI_MOSI/USB_DM

5.6 Debug interface

The PNEV7462C board has SWD interface port (JP4 10-pin Cortex connector). The LPC-Link 2 standalone debug probe connects to this interface via flat cable from J7 as illustrated on the following picture.

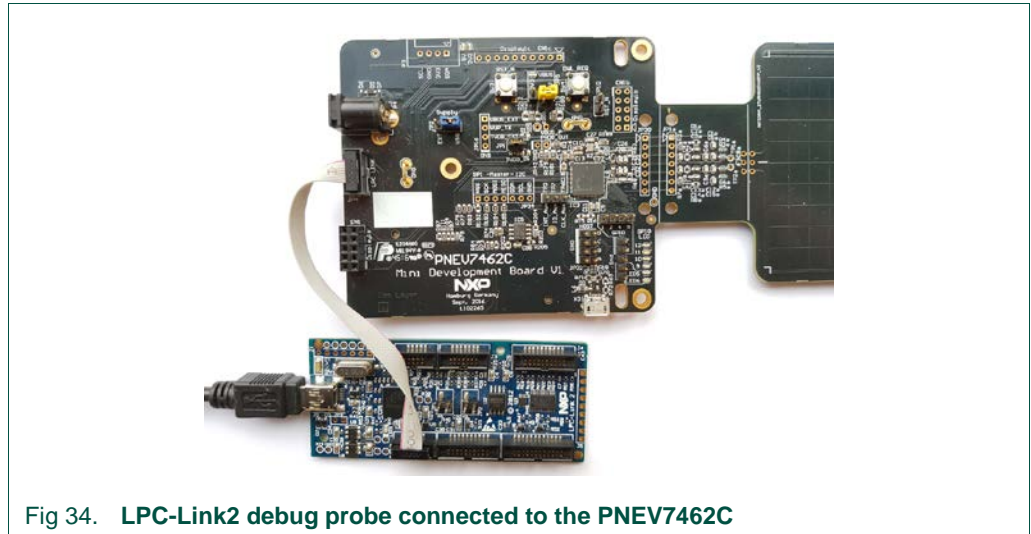


Fig 34. LPC-Link2 debug probe connected to the PNEV7462C

6. NFC Cockpit getting started

The NFC Cockpit is a Windows application designed to help explore the functionality of the PN7462 family and execute RF and antenna design related tests and parametrization. It allows a direct register access as well as EEPROM read and write access, and it allows to test and to calibrate the DPC and other features.

6.1 Board preparation

To use NFC Cockpit the PNEV7462B board must be configured to use USB host interface as described in Fig 18, which is the default configuration. The use of an external power supply is recommended as described in chapter 3.1.

6.2 NFC Cockpit installation

The NFC Cockpit can be downloaded from the NFC Cockpit product web page [4]. After successful download, follow the installation wizard and finish the installation. The default installation directory is `C:\nxp\WxpNfcCockpit_vx.x.x.x`, where `x.x.x.x` is version number.

6.3 Firmware, EEPROM settings and driver

NFC Cockpit requires a dedicated firmware running on the PN7462 family IC. This firmware application implements CDC USB class device (VCOM). The NFC Cockpit directs commands to the VCOM port and dedicated firmware executes commands on the hardware level. An optional part of the same firmware binary is also the Secondary Firmware application typically featuring some dedicated compliance test application that needs to meet specific time constraints (for example EMVCo loopback). The Secondary application can be started and stopped through the NFC cockpit GUI from the primary part of the Firmware application. During the execution of the Secondary application the standard NFC Cockpit features are not available, this is because the execution flow is transferred to the Secondary application.

NFC Cockpit firmware can be updated by using primary downloader functionality - MSD mode (see chapter 8.10). Firmware binary is available with NFC Cockpit installation and located in "`<installation directory>\firmware\PN7462AU`".

Additionally, appropriate EEPROM settings needs to be updated, the EEPROM settings binary is located in "`<installation directory>\firmware\PN7462AU`". The EEPROM binary is also updated by using primary downloader functionality (see chapter 8.10).

USB drivers needed for NFC Cockpit are part of the installation package and are automatically installed.

6.4 NFC Cockpit getting started

After starting the NFC Cockpit Windows application, the communication link between the PC and the PNEV7462B (via USB interface) is established automatically.

Fig 35 shows the activation of a MIFARE DESFire card with the following steps:

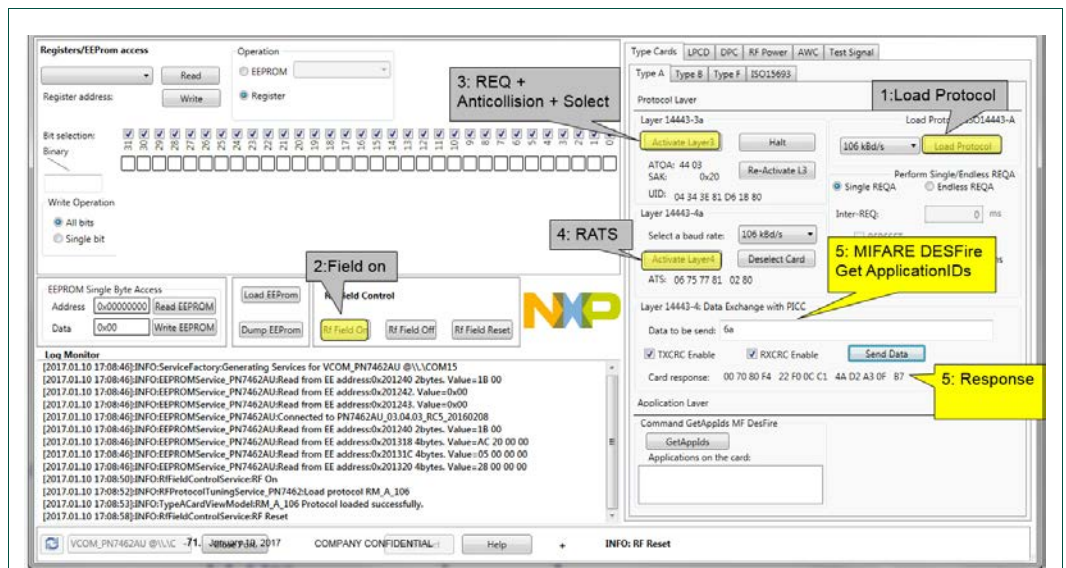
- (1) click the <Load Protocol> button
- (2) click the <Field On> button
- (3) click the <Activate Layer3> button

- (4) click <Activate Layer4> button
- (5) enter 6A and press <Send Data>

The PN7462 NFC Cockpit shows the card responses like ATQA, SAK, and ATS.

Afterwards the ISO/IEC 14443-4 protocol can be used to exchange data. Once the MIFARE DESFire command “Get Application ID” (0x6A) is sent, the card returns the AIDs.

Note: Make sure that either the CRC is enabled or added manually in the data field.



(1) 0x6A = Get Application ID command of MIFARE DESFire EV1

Fig 35. NFC Cockpit: activation of a MIFARE DESFire EV1 card + Get Application ID

Similar functionality does exist for ISO/IEC 14443 A and B, for NFC type F, for ISO/IEC 15693 and I-Code ILT communication.

Be aware that a LOAD_RF_CONFIG command must be executed manually before the corresponding protocol settings are loaded from the EEPROM into the registers. This can be used to perform

- (1) <Load Protocol> (e.g. type A 106)
- (2) <Field On>
- (3) <Single REQA> (using the EEPROM settings)
- (4) Select a TX register, e.g. RF_CONTROL_TX, enable TX_SET_BYPASS_SC_SHAPING
- (5) Change some register bits, and write back into RAM
- (6) <Single REQA> shows the register changes (probing the field and checking the envelop)

This allows an easy and quick optimization of Tx and Rx parameters before changing the EEPROM.

- (7) <Load Protocol> (e.g. type A 106)
- (8) <Single REQA> (using again the EEPROM settings)

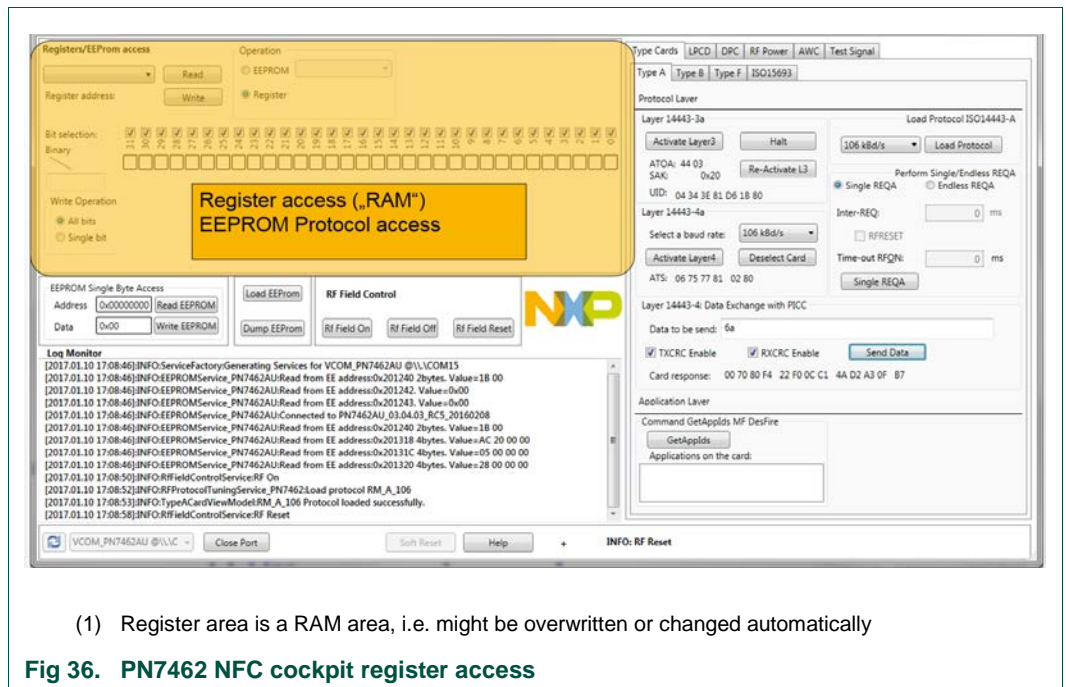
6.5 PN7462 family register access

The NFC Cockpit allows the reading and writing of all the PN7462 family IC registers (see Fig 36).

Selecting a register reads and shows the hexadecimal value as well as the corresponding bit values. The input allows to change each bit separately as well as writing hexadecimal values. Writing back the value changes the PN7462AU register.

On “mouse over”, the application displays a short description of the register parts.

Note: Some register content cannot be changed manually (“read only”) and some content might be overwritten by the PN7462 family firmware.



(1) Register area is a RAM area, i.e. might be overwritten or changed automatically

Fig 36. PN7462 NFC cockpit register access

All registers, which are used in the LOAD_RF_CONFIG command, can be read from the EEPROM. The user must select the register and the protocol.

All registers, which are used in the LOAD_RF_CONFIG command, can be written into the EEPROM. The user must select the register and the protocol.

This allows an easy EEPROM update of the relevant Tx and Rx registers after optimization in RAM.

6.6 PN7462 family EEPROM access

The NFC Cockpit allows four options for accessing EEPROM (see Fig 37):

- Read EEPROM - reads a single byte from EEPROM using byte address

- Write EEPROM - writes a single byte into EEPROM using byte address
- Dump EEPROM - stores the complete user area of the PN7462 family IC EEPROM into a binary file. This can be used to generate a backup of all settings or to transfer optimized settings onto another board or into own software.
- Load EEPROM - loads a binary file and stores it into the user area of the PN7462 family IC EEPROM.

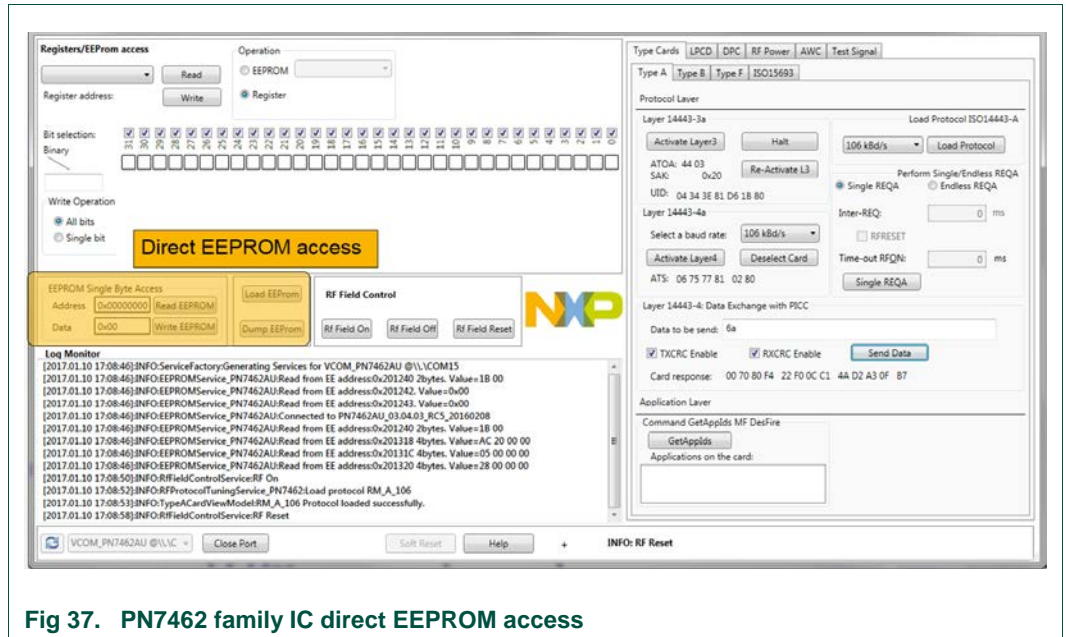


Fig 37. PN7462 family IC direct EEPROM access

6.7 PN7462 family IC internal test bus

The NFC cockpit allows to use the PN7462 family IC internal test bus, to route digital and analog test signals to the given test pins (GPIO1/2 and GPIO4/5), as shown in. All details on the test signals can be found in [7].

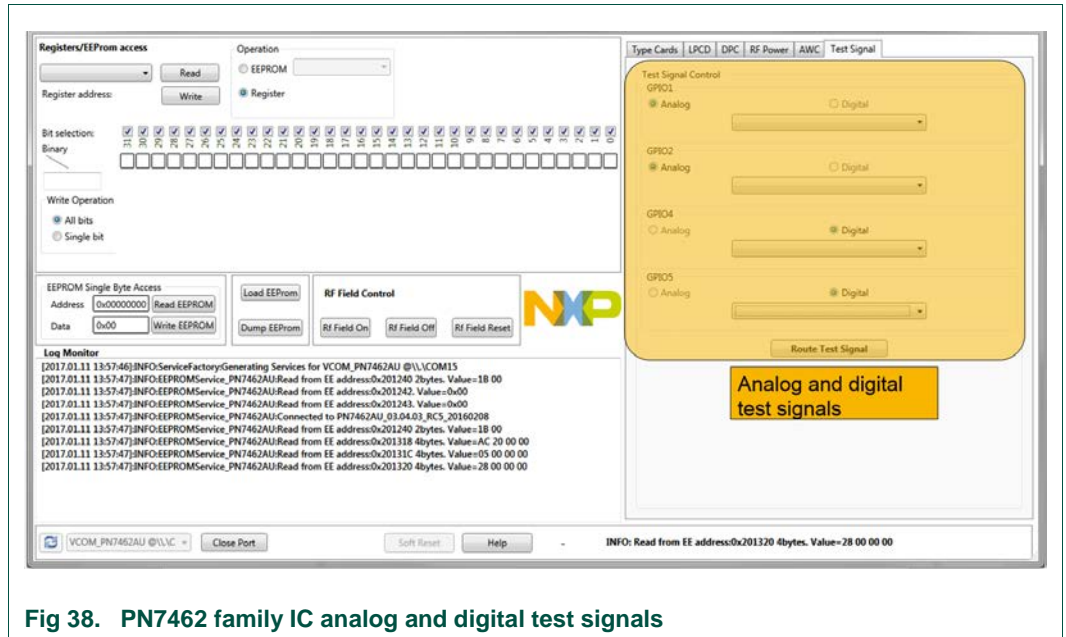


Fig 38. PN7462 family IC analog and digital test signals

The analog test signals can be directly selected at GPIO1 and 2. For the digital test signals GPIO4 and 5 can be used.

Afterwards, a click on the <Route Test Signal> button activates the chosen signals.

6.8 PN7462 family Dynamic Power Control

The DPC tab provides the functionality to easily perform a correlation test, a DPC calibration and the DPC trimming (see Fig 39). The detailed functionality is described in [10], but also the video tutorials might be a good help [12].

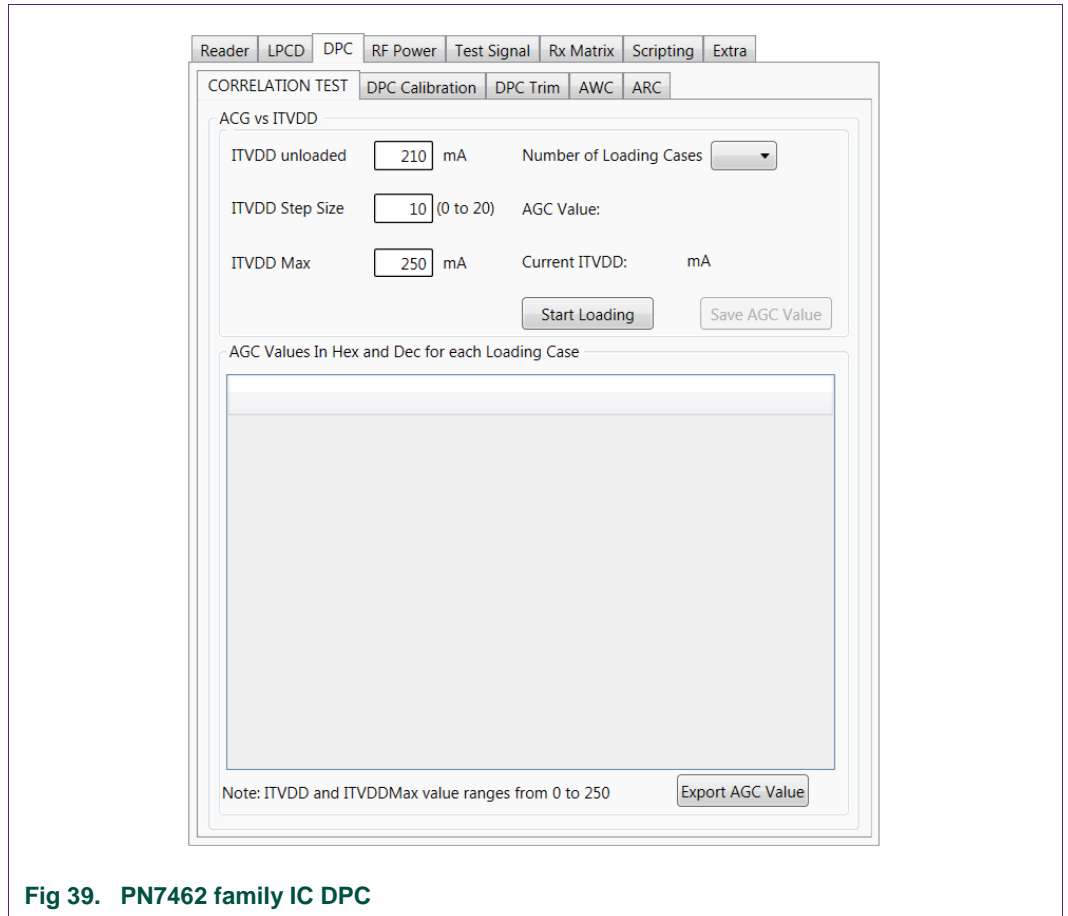


Fig 39. PN7462 family IC DPC

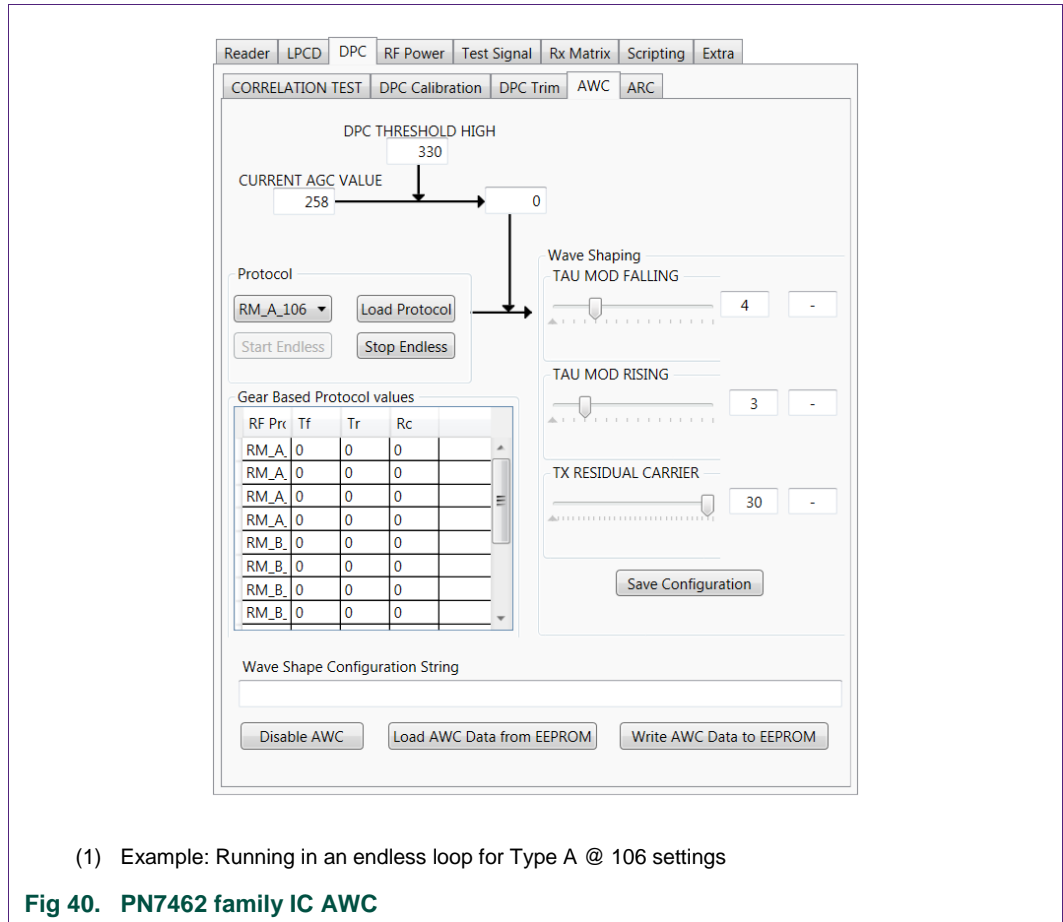
6.9 PN7462 family Adaptive Wave Control

The PN7462 family IC DPC functionality offers the option to use a lookup table to dynamically control the TX shaping. This feature is called Adaptive Wave Control (AWC). The NFC Cockpit provides a AWC functionality to allow an easy optimization of the shaping functions (see Fig 40).

Requirement: a properly tuned antenna is connected and the DPC is calibrated.

Note: It is recommended to disable the AWC, before starting the AWC function in the NFC Cockpit to avoid confusion: the AWC itself is done inside the PN7462 FW, and the NFC cockpit tries to overrule that in the AWC tab. Disabling the AWC changes the EEPROM.

Note: It is recommended to store the complete EEPROM content (backup!) using the <Dump EEPROM> before disabling the AWC. This allows an easy recovery at any time, even if the EEPROM is messed up.



6.9.1 Proposal for “static” Tx shaping adjustment

Step1: Save EEPROM for backup (<Dump EEPROM>), then disable the AWC (<Disable AWC>).

Step2: Operate the antenna in gear 0 (“unloaded”): <Load Protocol> (for e.g. Type A 106) and enable RF field (<RF Field On>).

Step 3: <Start Endless> and watch the current gear: must be 0!

Step 4: Check the pulse shape with a Reference PICC and an oscilloscope. Move the sliders <TAU MOD FALLING>, <TAU MOD RISING> and <TX RESIDUAL CARRIER> to optimize the shaping.

Step 5: Note down the optimum settings and save the corresponding register settings into the EEPROM (Read RF_CONTROL_TX register and write the value back into the required EEPROM (e.g. TX ISO14443A 106).

Step 6: <Stop Endless>

Step 7: <Load Protocol> (with the same protocol, e.g. Type A 106) and then send single or endless REQA. Check the wave shape in gear 0 position.

6.9.2 Proposal for “dynamic” Tx shaping adjustment

Requirement: “static” TX shaping adjustment is done properly.

Step1: Save EEPROM for backup (<Dump EEPROM>), then disable the AWC (<Disable AWC>), if not done before.

Step2: Start in gear 0 (“unloaded”): <Load Protocol> (for e.g. Type A 106) and enable RF field (<RF Field On>).

Step 3: <Start Endless> and watch the current gear: must be 0!

Step 4: Check the pulse shape with a Reference PICC and an oscilloscope: Must be ok.

Step 5: Load the antenna, until the gear changes to the next higher one. Move the sliders <TAU MOD FALLING>, <TAU MOD RISING> and <TX RESIDUAL CARRIER> to optimize the shaping.

Step 6: <Safe Configuration> -> This stores the AWC settings into the NFC Cockpit table. The PN7462 EEPROM is not changed at all.

Step 7: Continue with Step 5, until the last gear is reached.

Step 8: <Stop Endless>

Step 9: <Write AWC Data to EEPROM> -> This writes the new AWC data into the look up table in the PN7462 EEPROM.

Step 10: <Load Protocol> (with the same protocol, e.g. Type A 106) and then send single or endless REQA. Check the wave shape in all gear positions.

6.10 PN7462 family Rx Matrix test

The receiver settings of the PN7462 family IC normally need to be optimized to achieve the best performance. This optimization can be done manually, using the test signals. However, this manual optimization can be cumbersome, since on one hand some of the register settings depend on each other, so it is almost impossible to derive a deterministic adjustment. On the other enabling the test bus slightly changes the Rx performance, so the behavior with enabled or disabled test but can be different.

Therefore, it is recommended to use a Matrix test, which simply tests all relevant combination of register settings. The result matrix shows easily the optimum settings. This Matrix test is provided in the NFC cockpit.

6.10.1 Rx parameters

Typically, 3 or 4 (or even more) receiver settings need to be optimized for each protocol and antenna design:

- RxGain: 0 ... 3
- HPCF: 0 ... 3
- MinLevel: 0 ... 15
- MinLevelP: 0 ... 15 (only BPSK)

Even though the default values (as delivered with the PNEV7462B) can be taken as reference and starting point, the optimum might be different from the default. Changing

one parameter might require another parameter to change, too. At the end, even several “optima” might occur, which show similar performance.

There might be external influence like noise (e.g. from an LCD or other electronic circuitry) resulting in a different optimum.

So, it is very difficult to define a clear and deterministic approach to optimize these Rx settings, especially without knowing the external influence. However, for a high-end reader design these settings play a significant role for a good performance.

An easy solution is the Rx Matrix Test. This tool simply tries each combination of settings, and reports the number of proper receptions.

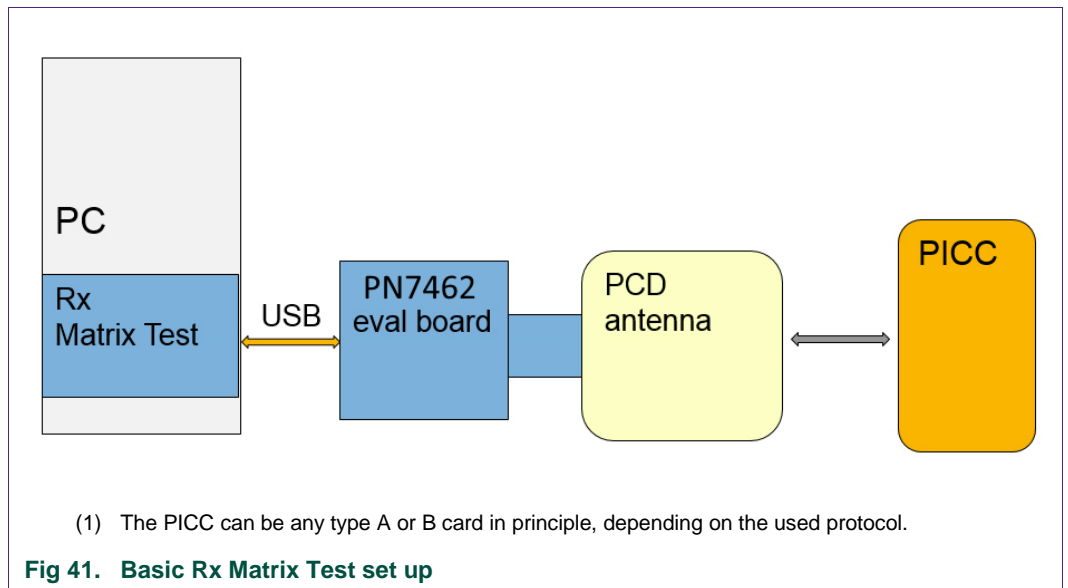
6.10.2 Rx Matrix test principle

The Rx matrix controls the PNEV7462B evaluation board and allows to configure:

- Free number of trials (per register combination)
- Free number and combination of register bits
- Free limit of minimum and maximum value
- Free choice of “protocol” (RF Configuration)
- Optional voltage level control of the LMA, using a Keysight AWG

The tool supports the digital and analog test signals, if needed. Especially the digital test signal might be helpful to trigger a LMA test setup.

The Fig 41 shows the basic test setup, using a reference card, placed on the PCD antenna in a certain distance. The reference card might a typical type A or B card (or any other card that is supported by the PN7462 family IC).



Of course, the real smart card does not allow to vary the load modulation level, which helps to find the optimum (sensitivity). So, an extended test setup as shown in Fig 42 can be used to control the LMA voltage level. This setup contains

- Reference PICC (ISO, EMVCo or NFC)
- Keysight Arbitrary wave generator (AWG [13])
- NFC Cockpit with PNEV7462B

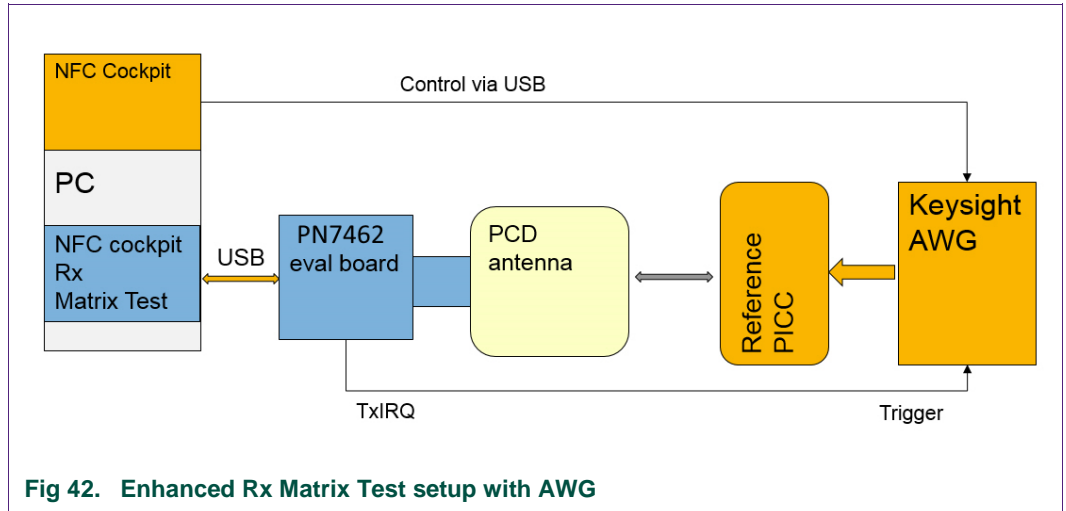


Fig 42. Enhanced Rx Matrix Test setup with AWG

The input parameters for the test matrix run are defined in an XML file (see 6.10.3.1). The test can be started in the NFC Cockpit (<Start RxMatrix>). The test result is stored as table, when the test is finished. The table can be opened with e.g. Microsoft Excel for interpretation (<View Output>).

6.10.3 Rx Matrix XML input file

The Rx Matrix Test requires the input configuration in an XML file. A few example XML files (for type A, B, F, 15693 and I-Code ILT) are part of the NFC Cockpit package:

c:\nxp\NxpNfcCockpit_v<VERSION>\cfg\RxMatrix\RxMatrix_PN7462AU\

Refer also to 11 for one example for type A without AWG and one example for type B with AWG.

Such an XML file defines all test parameters. The user can create (copy & paste) own XML files, chose any from the existing XML files and then start the test.

6.10.3.1 Input parameters

Table 3. Test input

Parameter	Meaning	Example value
numberMaxOfPasses	How many trials per combination	10
skipAfterFailures	Continue with the next combination if more failures occur than defined	4
delayMS	Additional delay between trials, if needed	0
fieldReset	Enable RF Reset, if needed (e.g. for type A card)	YES

Parameter	Meaning	Example value
protocolType	Defines the used protocol and bit rate	RM_A_106

Table 4. Send Data input

Parameter	Meaning	Example value
shortFrame	Enables a short frame (e.g. for REQA)	YES
rxCRC	Enables the CRC check for the card response	NO
txCRC	Enables the CRC on the TX data	NO
timeOutInUs	Defines the time out of the test command in μ s	1000
Byte(s) to be sent	These bytes are sent.	0x26

Table 5. Read Data input

Parameter	Meaning	Example value
invertedMaskBytes	Allows to mask certain bytes (for e.g. the PUPI) in the card response	0x00, 0x00
Bytes to be received	These bytes are checked as Rx data	0x44, 0x03

Optional, if AWG is connected:

```
<VoltageLevel minValuelnmV="100" maxValuelnmV="2000" stepSizeInmV="500"/>
```

Defines the LMA voltage level of the AWG from minimum to maximum value with given step size.

Register settings:

```
<Parameter name="Rx Gain" minValue="0x01" maxValue="0x03"
registerAddress="0x40004110" bitPosition="0" bitLength="2" />
```

```
<Parameter name="Rx HPCF" minValue="0x00" maxValue="0x03"
registerAddress="0x40004110" bitPosition="2" bitLength="2" />
```

```
<Parameter name="MinLevelP" minValue="0x00" maxValue="0x0F"
registerAddress="0x400040b4" bitPosition="8" bitLength="4" />
```

```
<Parameter name="MinLevel" minValue="0x00" maxValue="0x0F"
registerAddress="0x400040b4" bitPosition="12" bitLength="4" />
```

Defines the register bits from minimum to maximum. Any accessible register can be used.

Example scripts refer to 11 and find under

```
c:\nxp\NxpNfcCockpit_v<VERSION>\cfg\RxMatrix\RxMatrix_PN7462AU\
```

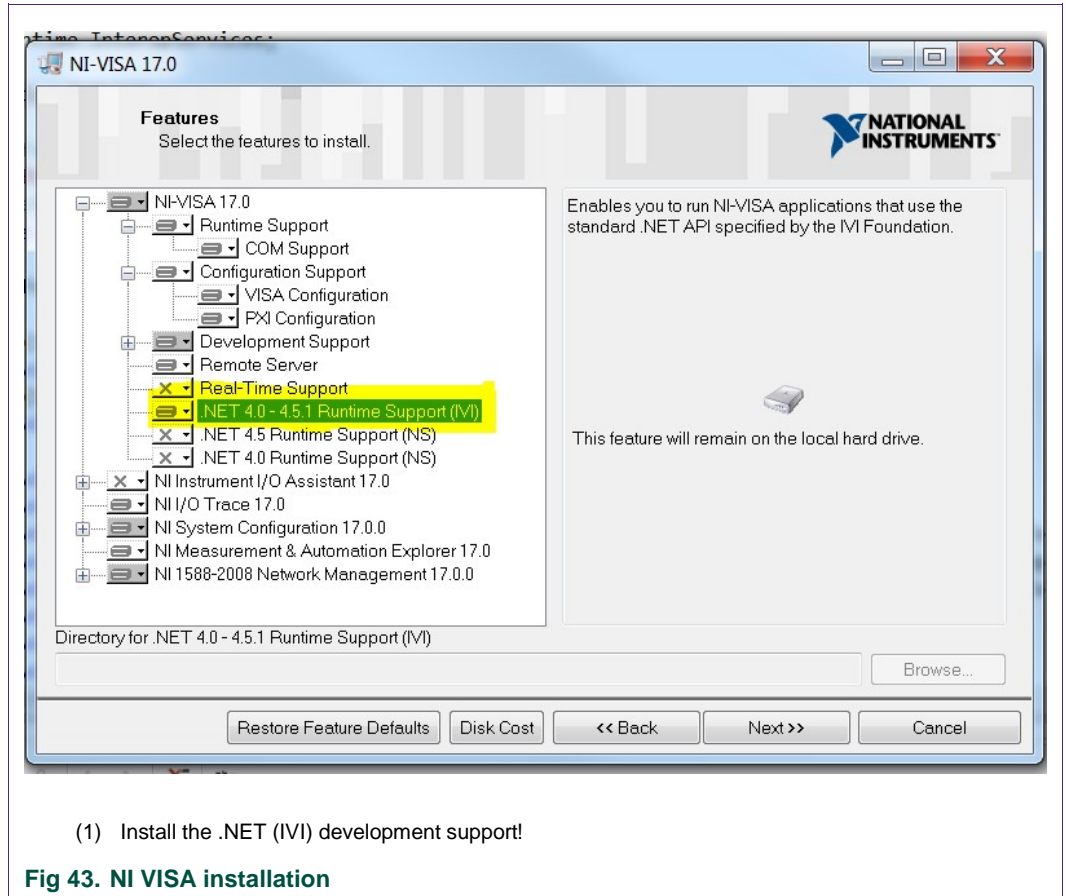
6.11 NFC Cockpit with AWG

6.11.1 NI VISA installation

The NFC Cockpit supports the control of a Keysight AWG (see [13]) via USB. As a prerequisite, the USB driver and National Instruments VISA driver package [14] have to be installed.

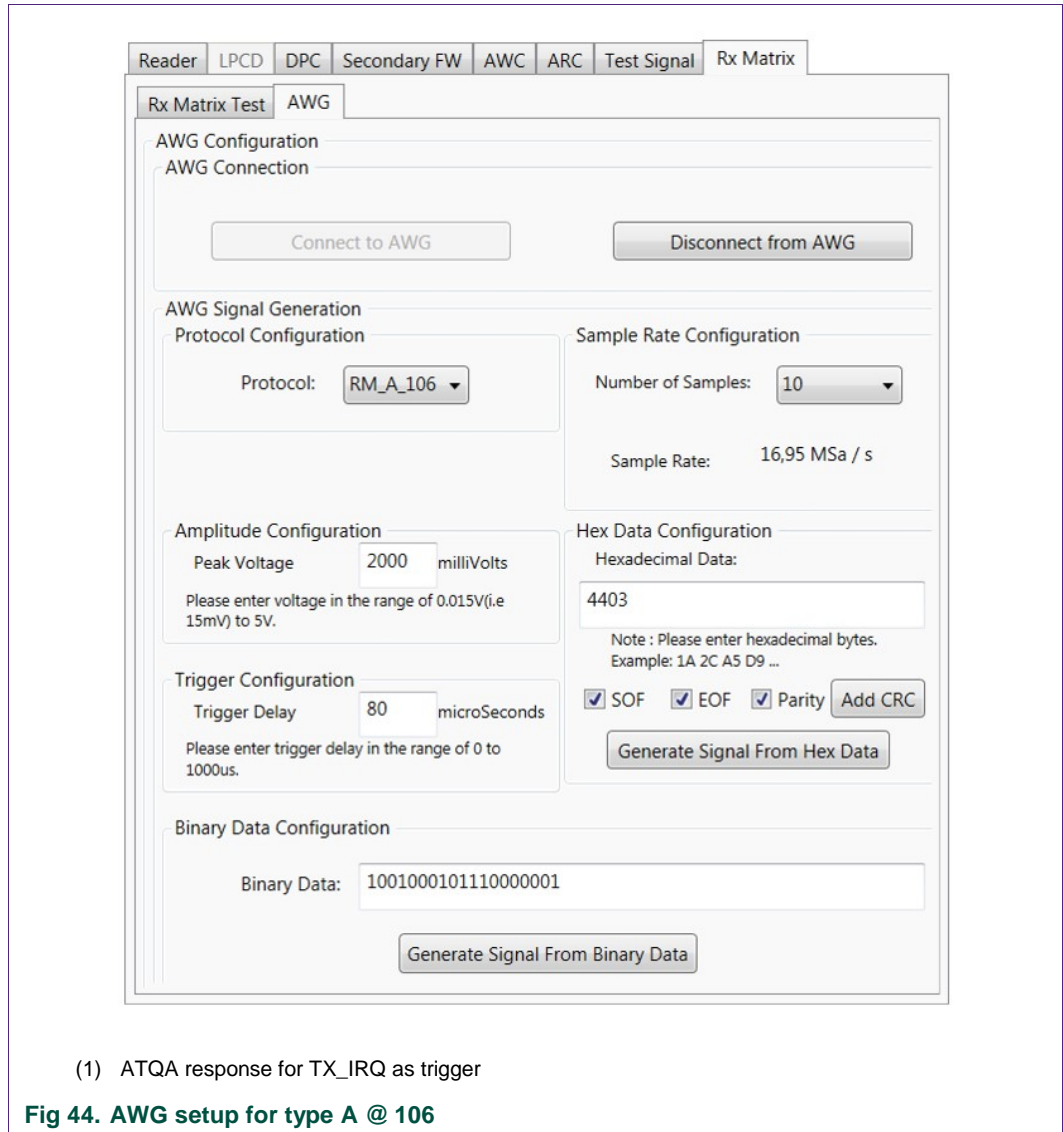
Remark: This NI VISA version does not conflict with the CTC Advanced WavePlayer tool.

Make sure that the .NET development support is installed, as shown in Fig 43.



6.11.2 AWG setup and test for type A @ 106

The Fig 44 shows a typical setup for a type A response. After connecting the AWG the type A protocol with 106 kbit/s can be chosen. The sample rate defines the number of samples per half of a subcarrier cycle.



The amplitude defines the peak voltage level of the LMA: the LMA output toggles between 0V and the defined amplitude. The AWG output can directly drive a Reference PICC modulation input.

Note: EMVCo LMA levels normally are in the range of 700 ... 800 mV for minimum LMA test in operating Volume 1. For compliance test it is recommended to use a calibrated reference tool like e.g. the CTC Advanced WavePlayer.

The PICC response itself can be defined as hexadecimal data. The Fig 44 shows the example of a MIFARE DESFire like ATQA, which does not contain a CRC, but SOF, EOF and parity.

The trigger delay defines the delay between AWG trigger input and the LMA sequence start. The given 80µs define a standard FDT for type A, if the TX_IRQ signal is taken as trigger signal.

<Generate Signal From Hex Data> generates the binary as well as the subcarrier sequence, and automatically loads this sequence and related settings into the AWG.

A simple test can be done:

Step 1: Setup the hardware as shown in Fig 42. Place the Reference PICC close to the PCD antenna.

Step 2: Setup the AWG in the NFC Cockpit as defined above.

Step 3: Enable the test bus and route TX_IRQ to a test pin (e.g. IRQ pin).

Step 4: Load Protocol with type A 106 and enable the RF Field.

Step 5: Send a single REQA. -> the ATQA should be received properly.

Note: After loading the settings and the sequence into the AWG, the AWG can be switched to "local control". This allows a faster direct control for manual tests of e.g. the trigger delay or the LMA amplitude at the AWG without reloading all the settings again.

6.11.3 AWG setup and test for type B @ 106

The Fig 45 shows a typical setup for a type B response. After connecting the AWG the type B protocol with 106 kbit/s can be chosen. The sample rate defines the number of samples per half of a subcarrier cycle.

(2) ATB response 0x50AEF9ACD3058901013381E1 with TX_IRQ as trigger.

Fig 45. AWG setup for type B @ 106

The amplitude defines the peak voltage level of the LMA: the LMA output toggles between 0V and the defined amplitude. The AWG output can directly drive a Reference PICC modulation input.

Note: EMVCo LMA levels normally are in the range of 700 ... 800 mV for minimum LMA test in operating Volume 1. For compliance test it is recommended to use a calibrated reference tool like e.g. the CTC Advanced WavePlayer.

The PICC response itself can be defined as hexadecimal data. The Fig 45 shows the example of a ATQB (0x50AEF9ACD3058901013381E1), which does not yet contain a CRC, but SOF and EOF.

<Add CRC> adds the CRC to the given string (0xE012).

The trigger delay defines the delay between AWG trigger input and the LMA sequence start. The given 300µs define a standard TR0 for type B, if the TX_IRQ signal is taken as trigger signal.

<Generate Signal From Hex Data> generates the binary as well as the subcarrier sequence, and automatically loads this sequence and related settings into the AWG.

A simple test can be done:

Step 1: Setup the hardware as shown in Fig 42. Place the Reference PICC close to the PCD antenna.

Step 2: Setup the AWG in the NFC Cockpit as defined above.

Step 3: Enable the test bus and route TX_IRQ to a test pin (e.g. IRQ pin).

Step 4: Load Protocol with type B 106 and enable the RF Field.

Step 5: Send a single REQB. -> the ATQB should be received properly.

Note: After loading the settings and the sequence into the AWG, the AWG can be switched to “local control”. This allows a faster direct control for manual tests of e.g. the trigger delay or the LMA amplitude at the AWG without reloading all the settings again.

6.11.4 Rx Matrix test with AWG

The Rx Matrix test allows to control the LMA level of the PICC response, if the AWG is setup as described above.

The type B script file example as shown in 11.2 can be used to check the Rx performance in e.g. 2cm operating distance (see Fig 46).

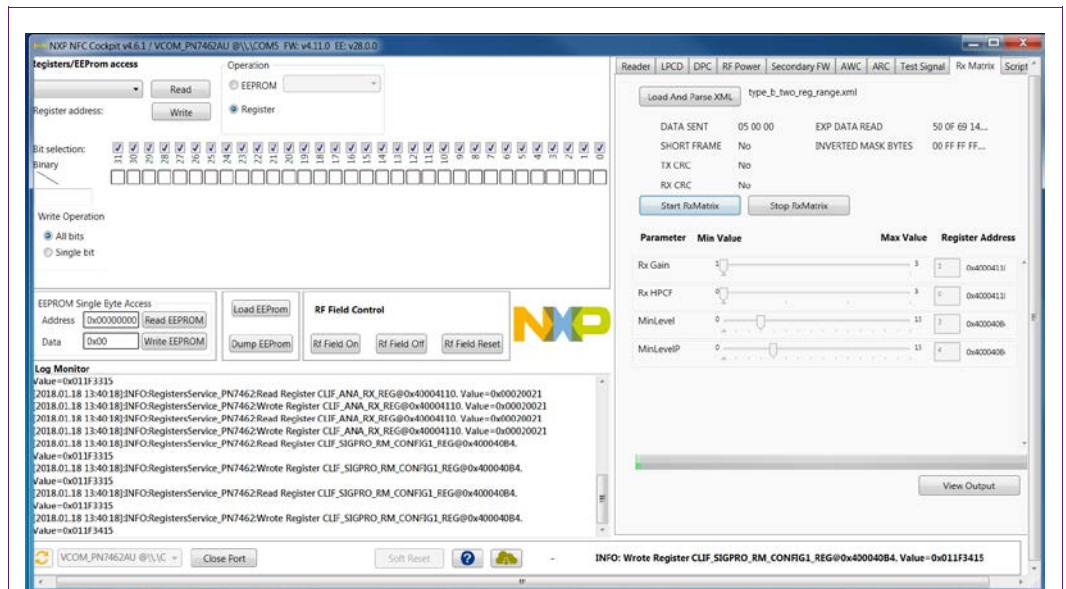
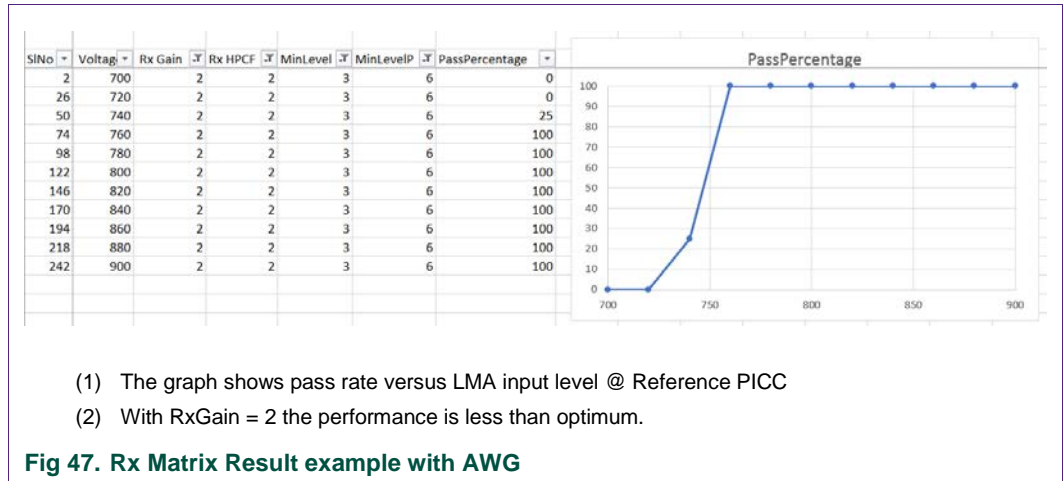


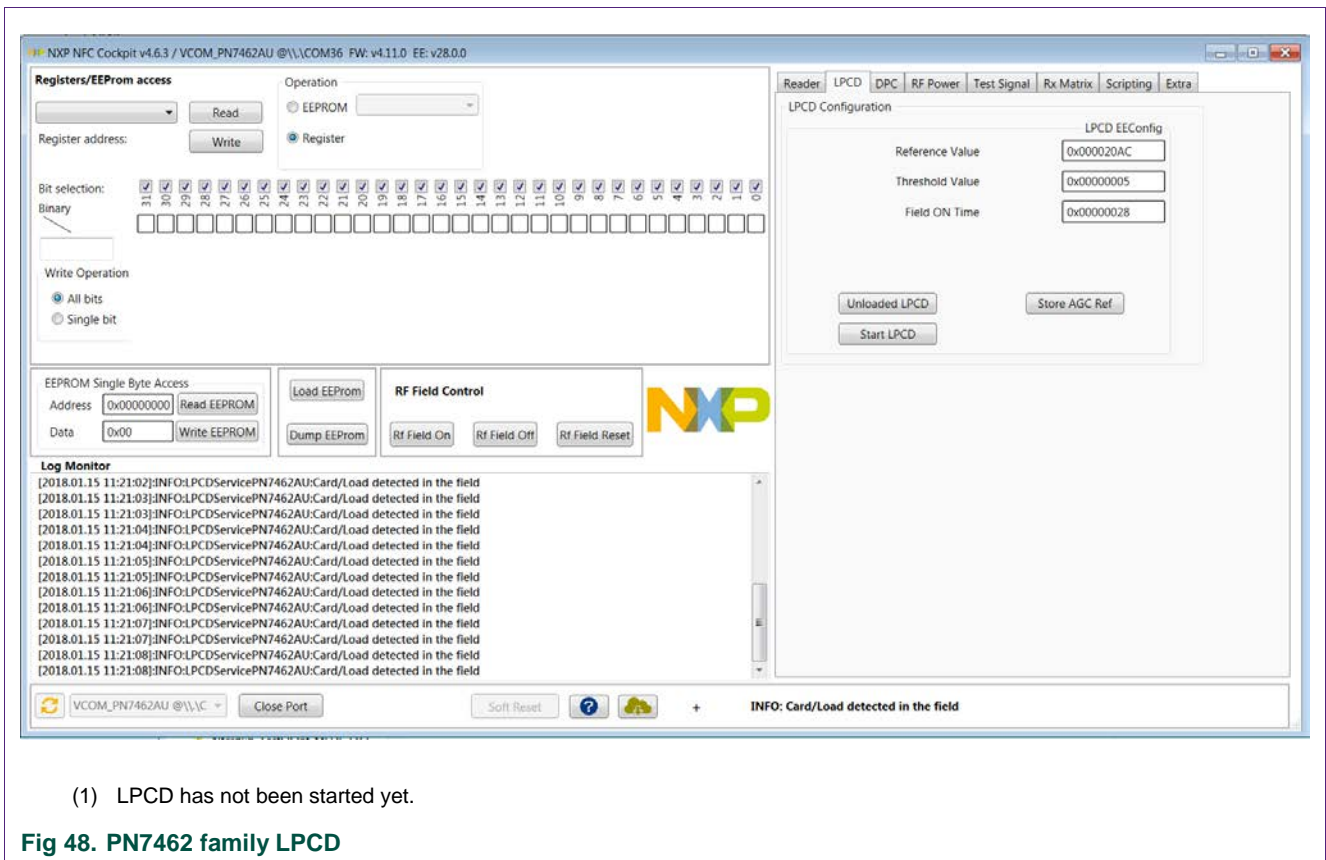
Fig 46. Rx Matrix test run example with AWG

The Fig 47 shows the result of such a test run to indicate the sensitivity limit with RxGain = 2, HPCF = 2, MinLevel = 3 and MinLevel = 6.



6.12 PN7462 family Low Power Card Detection

The NFC Cockpit allows the configuration and test of the Low Power Card Detection (LPCD) of the PN7462 family IC as shown in Fig 48.



6.13 Secondary FW - EMVCo Loopback application

The FW might contain additional applications (see 6.3), which can then be started via the *Secondary FW* tab.

The default Secondary FW application is:

EMVCo Loopback: Test application for EMVCo L1 certification

The EMVCo Loopback (or other application) can be started by pressing the <Start Secondary Firmware> button and the function can be stopped by pressing the <Stop Secondary Firmware> button.

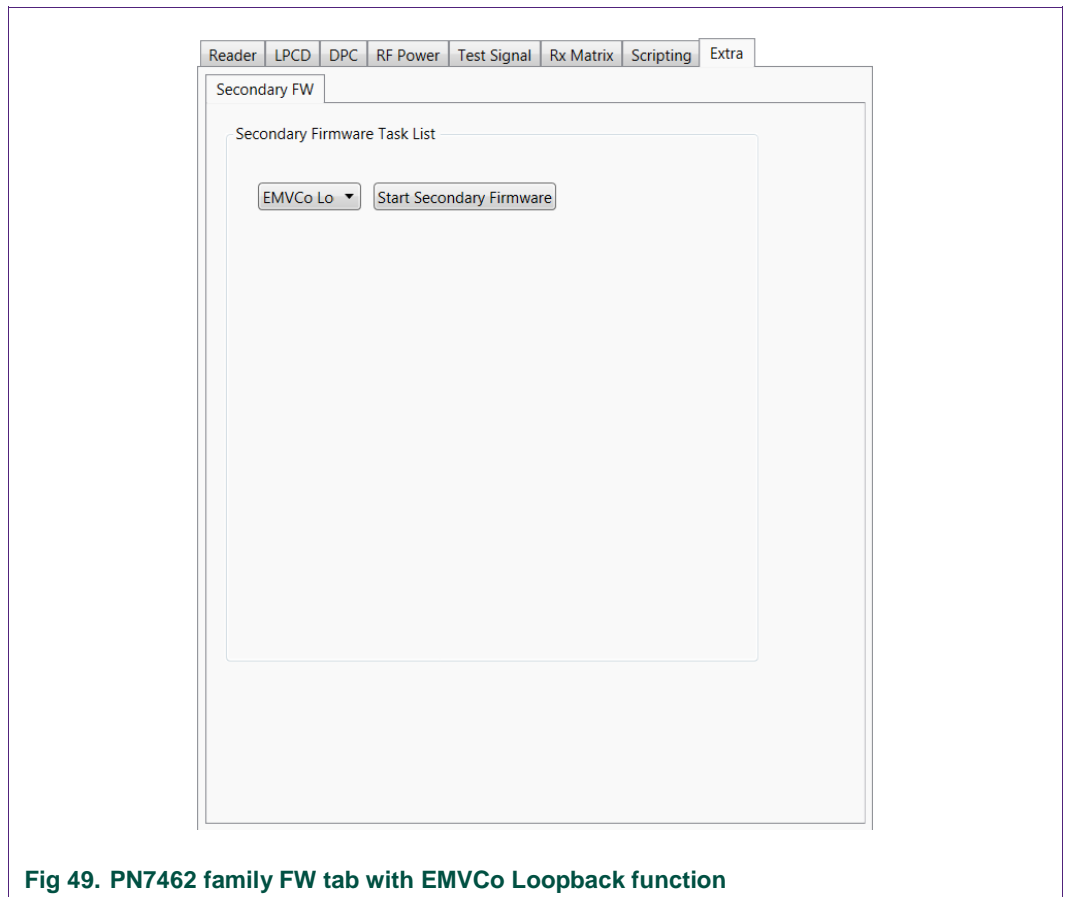


Fig 49. PN7462 family FW tab with EMVCo Loopback function

6.14 PN7462 family Scripting

The NFC Cockpit allows to use a simple script language to program own scripts for test purpose. This feature is mainly developed for the CLRC663, and the number of implemented commands for the PN7462 family IC is limited.

There is a sample script, which simply resets RF filed of the PN7462 family IC:

```
c:\nxp\NxpNfcCockpit_v<VERSION>\scripts\pn7462AU_RfOnOff.nncscript
```

7. Software application stack

The PN7462 family firmware is a modular software written in C language, which provides an API that enables customers to create their own contact and contactless software stack and applications for the PN7462 Family [5]. This API facilitates all operations and commands required in contact and contactless applications such as reading or writing data to cards or tags, exchanging data with other NFC-enabled devices or allowing NFC reader ICs to emulate cards as well.

The PN7462 family software application stack consists of 4 main layers.

- Application & example layer
- Protocol abstraction layer – PAL
- Hardware abstraction layer – HAL
- OSAL (FreeRTOS) and utilities layer

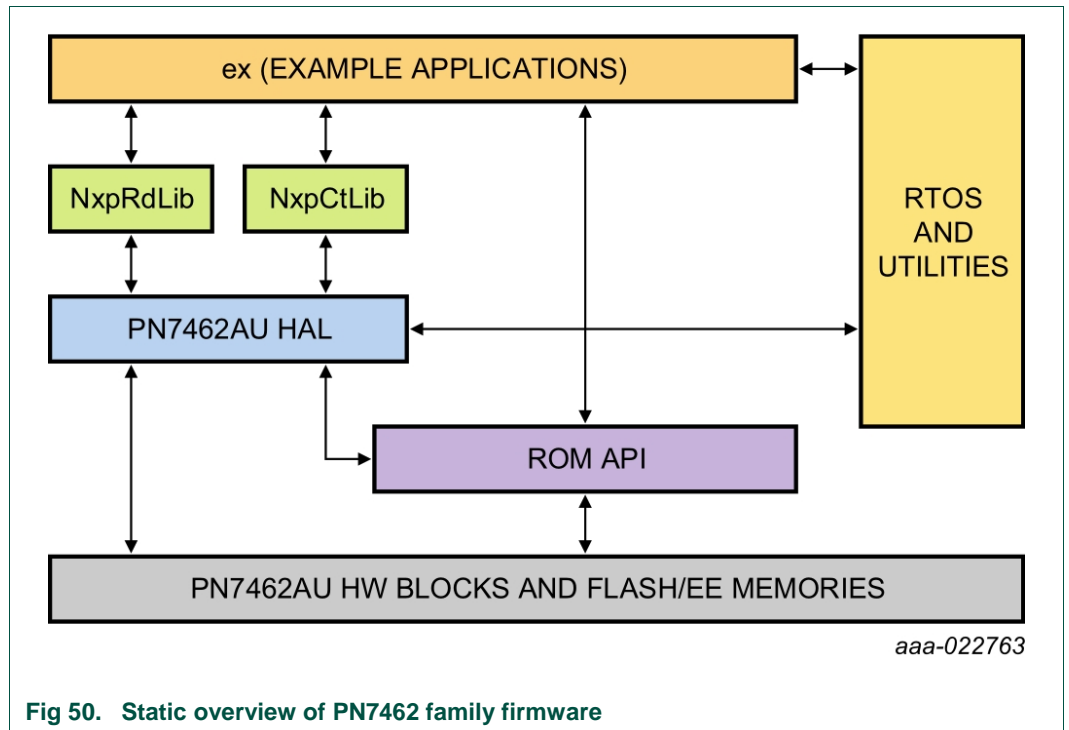


Fig 50. Static overview of PN7462 family firmware

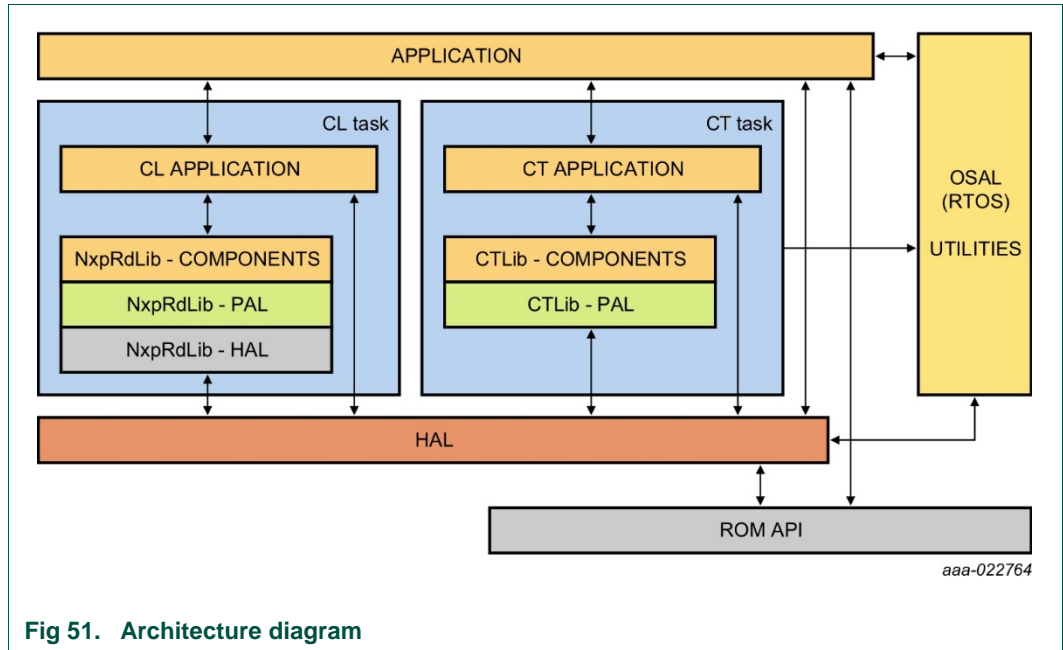


Fig 51. Architecture diagram

7.1 Hardware abstraction layer – HAL

Hardware abstraction layer – HAL is responsible for the CPU, communication, memory and utility peripherals. HAL composed of a set of HW functions, HW ISR and OSAL functions.

The HW functions can further be divided to:

1. Atomic functions: functions configuring the HW, but don't result in any event from the HW, EEPROM, Flash, CRC, RNG, PMU/ PCR.
2. Blocking functions: functions configuring the HW and wait till one or more expected events occurs from the HW. CLIF HAL, CT HAL, I2CM/ SPIM HAL
3. Non-blocking functions: functions configuring the HW and expect one or more events, but don't wait till it occurs. The events are notified to the caller of the function. Timer, Host interface.

The HW ISR handles HW events (interrupts) and signals of the blocking functions or notifies non-blocking functions. The HW ISR also handles time critical HW configuration or functions.

7.2 Protocol abstraction layer – PAL

Protocol abstraction layer – PAL implement HW independent communication protocols for contactless and contact interface and it is composed of two libraries.

NxpNfcRdLib library implement contactless protocol and application components.

Followed ISO/IEC contactless standards protocols are available:

- **ISO14443-3A:** Contactless proximity card air interface communication at 13.56MHz for the Type A and Jewel contactless cards.

- **ISO14443-3B:** Contactless proximity card air interface communication at 13.56MHz for the Type B contactless cards.
- **ISO14443-4:** Specifies a half-duplex block transmission protocol featuring the special needs of a contactless environment and defines the activation and deactivation sequence of the protocol.
- **ISO14443-4A:** Transmission protocol for Type A contactless cards.
- **MIFARE (R):** Contains support for MIFARE authentication and data exchange.
- **ISO15693:** Contactless protocol for vicinity RFID. It operates on 13.56MHz and uses magnetic coupling between the reader and transponder.
- **ISO18000-3M3:** Contactless protocol for vicinity RFID. It is especially suited for applications where reliable identification and high anti-collision rates are required.
- **FeliCa (JIS: X6319):** Contactless RFID smart card system from Sony.
- **ISO/IEC 18092:** NFC Interface and Protocol standard that enables NFC Data Exchange protocol.

The contact protocol library implements the components for the contactless protocol, such as EMV ATR Parser, T=0 protocol, T=1 protocol. This library also handles the timing compliance violations.

7.3 Application layer – AL

In the application layer customer applications, shall be implemented and can directly use HAL APIs or APIs from the PAL libraries.

The contactless example (or application) is either NFC Forum Polling Loop or EMV Polling Loop that branches to dedicated examples depending on the card detected such as MIFARE Classic, MIFARE Ultralight, MIFARE DESFire, EMV PayPass transactions (PPSE). There exists a compile time macro `phExMain_Cfg.h` to decide whether the example is NFC Forum or EMV Polling Loop.

The contact example (or application) is an EMV contact (PPSE application on JCOP card) application that uses the T=1 protocol and the ATR processing of the protocol library.

7.4 OSAL and utilities layer

The OSAL and Utilities layer is used to abstract Free-RTOS messages, to handle events, signals and messages between HW functions and to handle HW ISR.

Utilities layer includes a set of utilities which are grouped and encapsulated together in an independent set of functions. Utilities components provide an interface for protocol libraries to use HAL APIs such as CRC, RNG etc.

Note:

Detailed description how to use OSAL and utilities layer refer to the CHM help file.

7.5 Component view

7.5.1 Contactless component view

In contactless component view (Fig 52) for the “phExMain” example is shown.

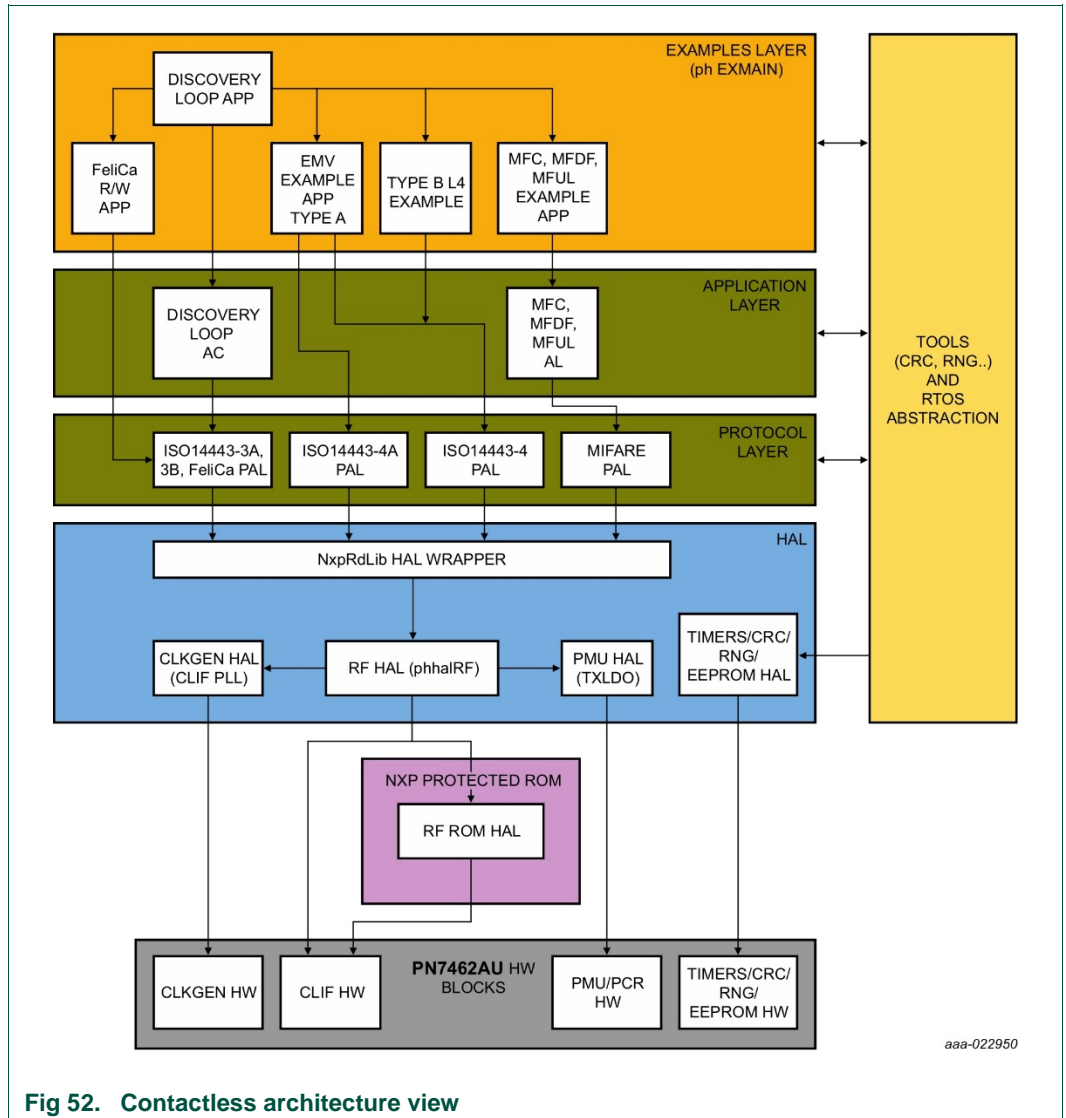


Fig 52. Contactless architecture view

7.5.2 Contact component view

In the Fig 53 contact component view for the “phExMain” example is shown.

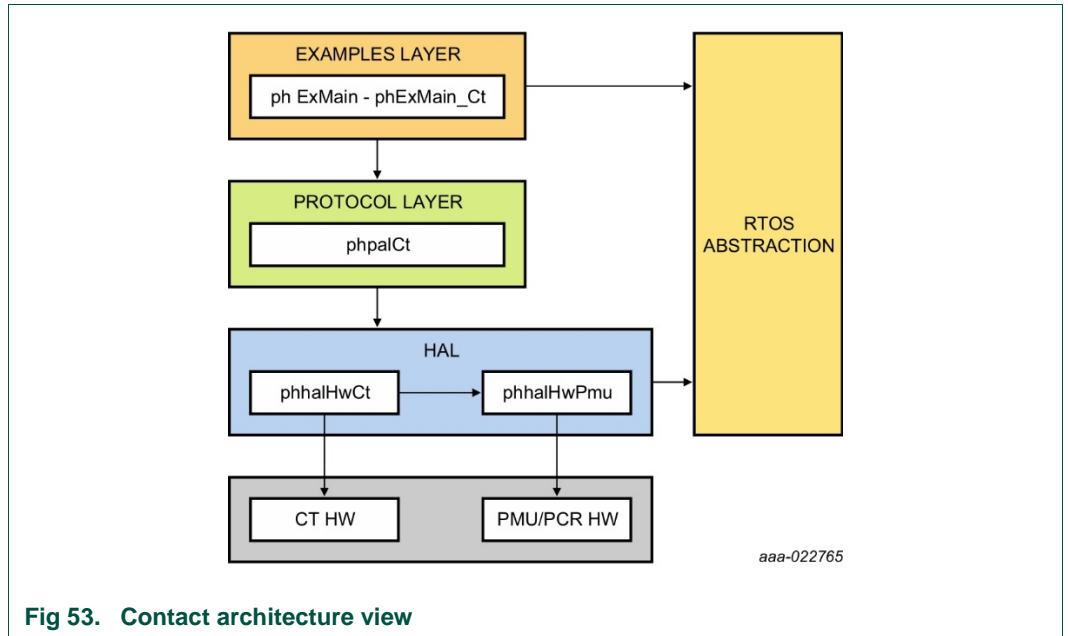


Fig 53. Contact architecture view

7.6 Building a project from bottom to top

In order to use the PN7462 family firmware, a stack of components has to be initialized from bottom to top. Every component in the software stack has to be initialized before it can be used. The referred initialization of each layer generates a data context which feeds the immediate upper layer. Some of the components may need a data context coming from the same layer to be used as an entry point.

The Fig 54 illustrates the mentioned implementation for the initialization procedure of a “phExtMain” application.

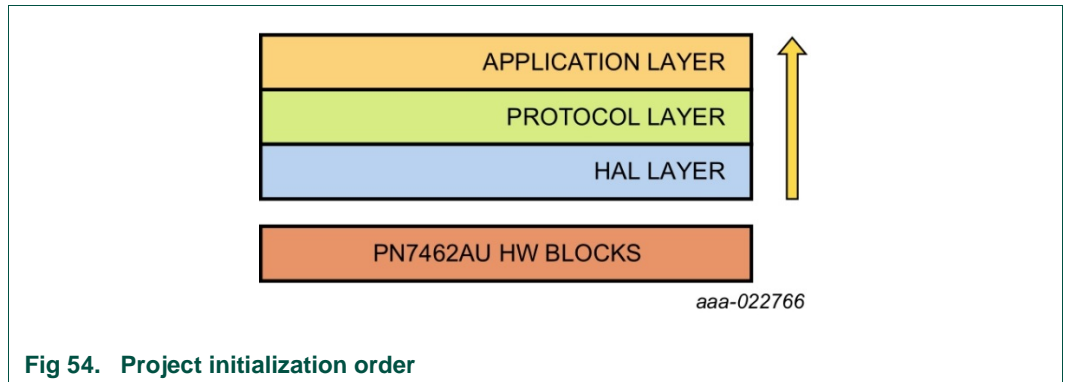


Fig 54. Project initialization order

7.7 RTOS and it's usage

The PN7462 family FW is using FreeRTOS. The port.c file in the OpenRTOS source is modified to support disabling/enabling of scheduler (SysTick timer) and context switch (PendSV) during FW critical sections. The Cortex-M0 port is already available from FreeRTOS.

The FreeRTOS provides flexibility to develop multi-application environment. It provides the creation of multiple tasks. The FreeRTOS will handle multiple tasks with its scheduler. It is also possible to prioritize the tasks according to our requirement.

The FreeRTOS provides the message queues which are used to communicate between the tasks. The tasks can wait for the messages and if not available scheduler suspends these tasks which are waiting, and allow the other tasks to run.

The FreeRTOS provides the events which are used to communicate inside the tasks.

The tasks can go to suspended state waiting for the events as well. Whenever the events occur the scheduler wakes up that particular task and allows it to run.

For more information on FreeRTOS please refer the following link <http://www.freertos.org/>

The Fig 55 FreeRTOS Usage (below) provides the structure of FreeRTOS and its relation to PN7462AU FW Application.

The Flash boot performs the boot reason handling and initialization of common HALs.

See Below are the lists of examples available in current release to demonstrate the HW and FW features of PN7462AU IC.

In general, the FreeRTOS Scheduler has 2 default tasks running which are Idle task and Timer task whose priority is kept lower than the application tasks.

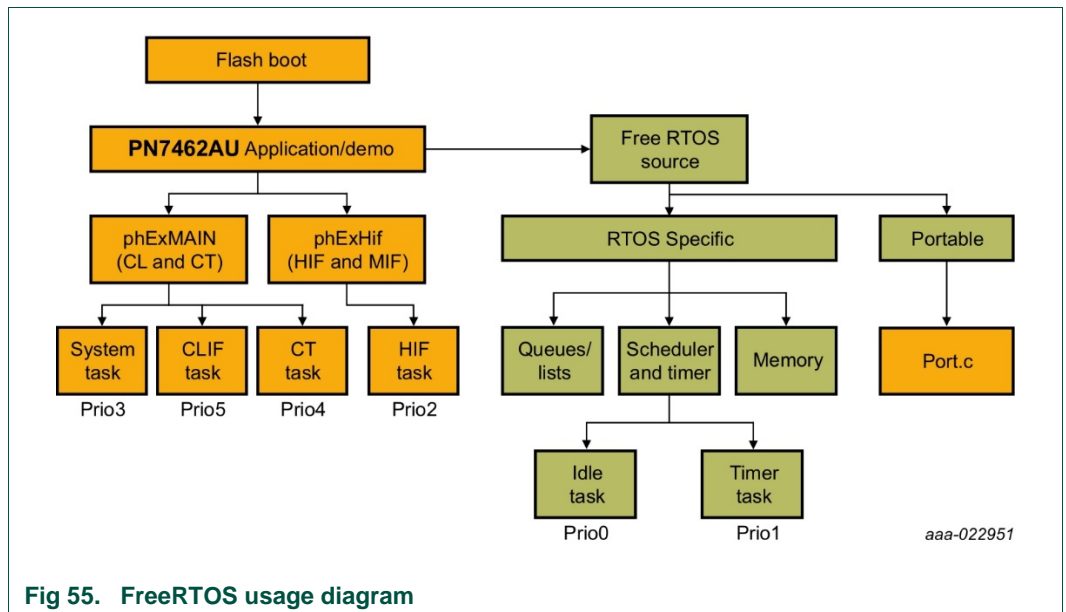


Fig 55. FreeRTOS usage diagram

8. Managing the PN7462 family SW projects with MCUXpresso IDE

8.1 Development environment

For developing PN7462 family firmware and customer applications all components listed in the Table 6 are required.

Table 6. Development environment

Item	Version	Purpose
PNEV7462B or PNEV7462C	2.1/2.2 or 1.0	Engineering development board
LPC-Link 2	1.0/2.0	Standalone debug probe
MCUXpresso IDE	>10.0.2	Development IDE
PN7462AU FW and SW examples	>5.12.00	Installer package

Fig 56 gives general overview of the development environment elements and their interconnections:

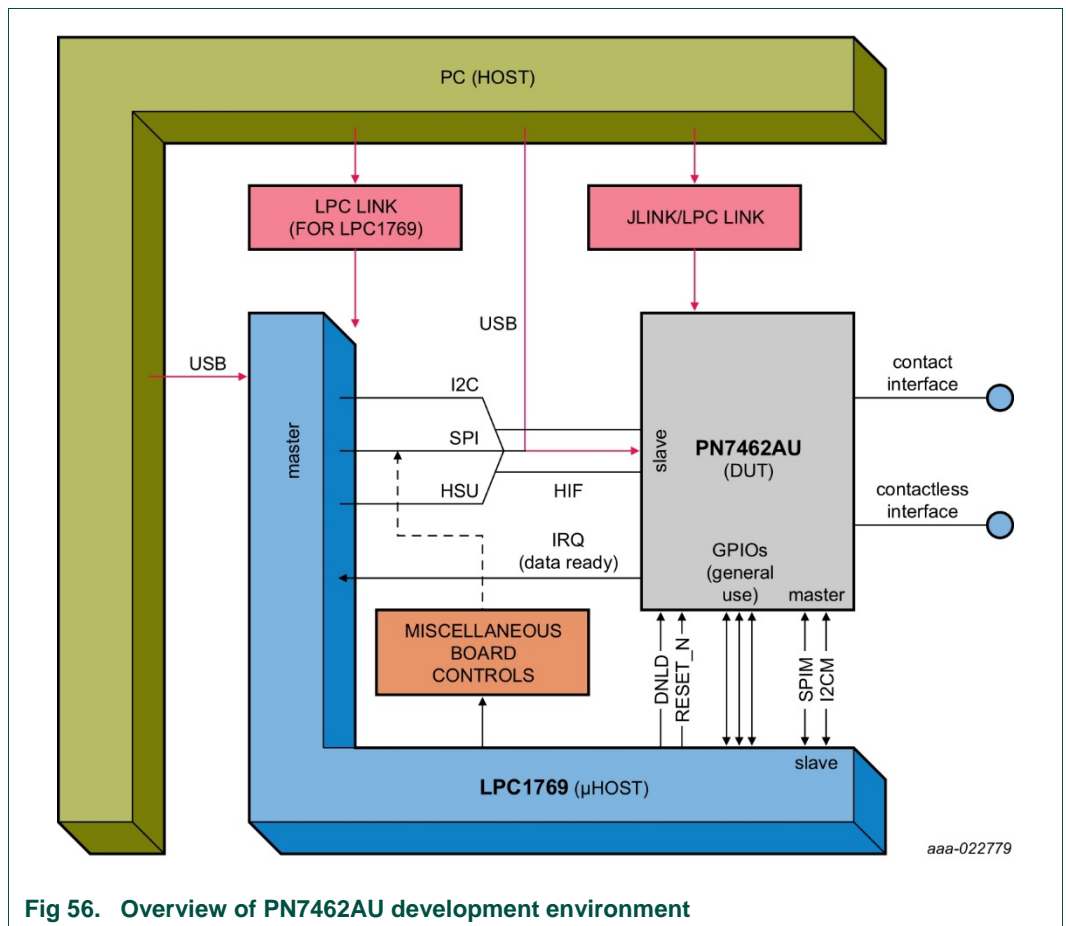


Fig 56. Overview of PN7462AU development environment

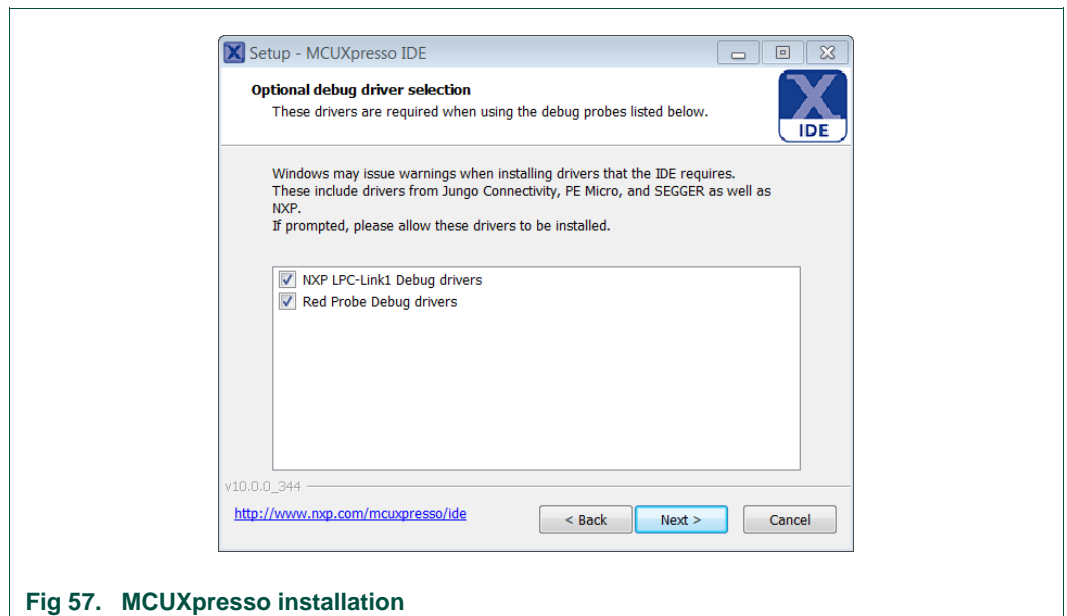
8.2 Installation of the MCUXpresso IDE

The MCUXpresso IDE enables powerful application development for NXP MCUs based on ARM® Cortex®-M cores, including LPC and Kinetis microcontrollers. The MCUXpresso IDE offers advanced editing, compiling and debugging features with the addition of MCU-specific debugging views, code trace and profiling, multicore debugging, and more. Feature-rich IDE optimized for ease-of-use, based on industry standard Eclipse and GCC providing a powerful application development environment, Supports Freedom, Tower, LPCXpresso and your custom development boards with debug probes from NXP, P&E, and SEGGER. Available in full-featured free (code size unlimited) and affordable professional editions (including MCUXpresso IDE email support and advanced trace features).

This tool can freely be downloaded from the MCUXpresso website 0. Before one can download the software, it is necessary to create an account. Creating an account is absolutely free.

If a Pro Edition activation code as not been installed, then MCUXpresso IDE will start as a Free Edition. There is no Activation process required to use the MCUXpresso IDE Free Edition. There are also no restrictions in code generation size or binary programming size. However, some advanced debug features will not be available.

The installation starts after double-clicking the installer file.



Make sure, the checkbox for installing the NXP debug drivers is activated.

During the installation, the user will be asked to install additional drivers (SEGGER JLink, P&E). This installation shall be accepted.

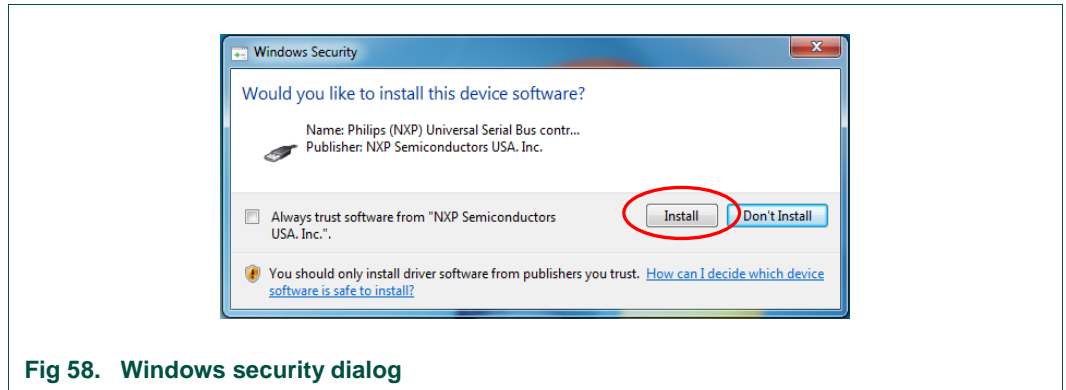


Fig 58. Windows security dialog

After the setup wizard, has finished, the newly installed IDE can be launched.

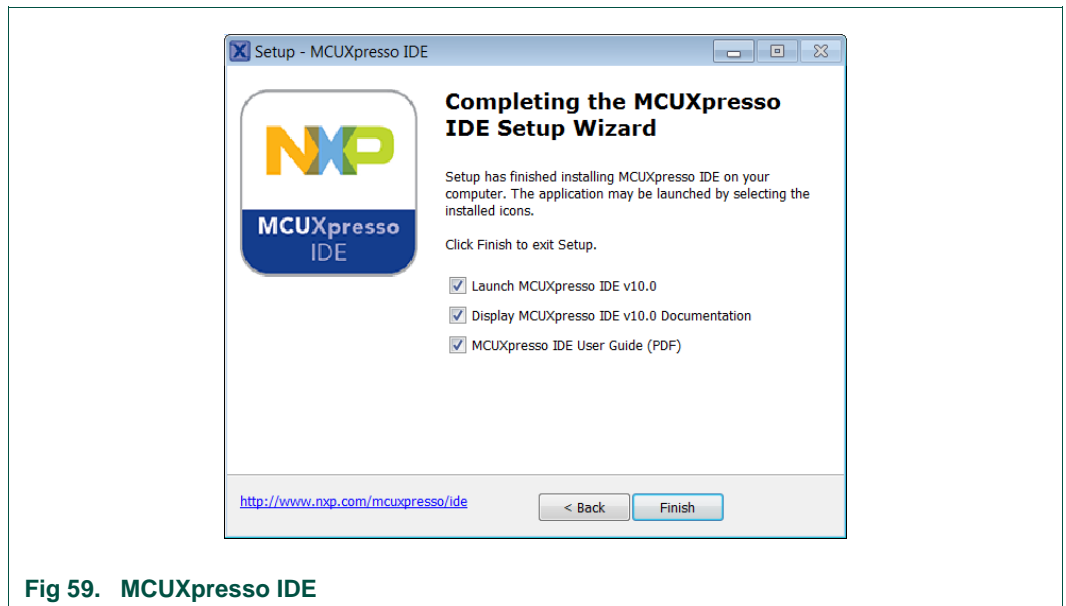


Fig 59. MCUXpresso IDE

Note: With MCUXpresso version prior to 10.0.2 PN7462 plugin is needed.

8.3 Installing PN7462AU FW and SW examples package

The PN7462 FW and SW examples are provided as a Windows installer package available on the product page or through the NXP DocStore [8]. It is assumed that examples are installed on development PC. The archive file containing SW and FW examples is located in the: `<install directory>\NXP Semiconductors\PN7462AUPspPackageFull-vXX_XX_XX\PN7462AU Software` folder.

8.4 Updating PN7462AU EEPROM configuration

Before running or debugging the example applications, the PN7462AU needs to be updated with the latest EEPROM configuration. EEPROM update is described in the chapter 8.8. The EEPROM configuration file is located in the `PN7462AU\phHa\phCfg\user_ee.bin` file.

8.5 Importing provided SW example projects

The use of Quickstart Panel provides fast access to the most commonly used features of the MCUXpresso IDE. Quickstart Panel eases importing, creating, building and debugging projects.

Project import consists of following steps:

- Start the MCUXpresso IDE and select new workspace
- Select the option “Import project(s)” (see picture below)
- Browse to the software package .zip archive
- MCUXpresso unzips the software package
- The software package is ready for use

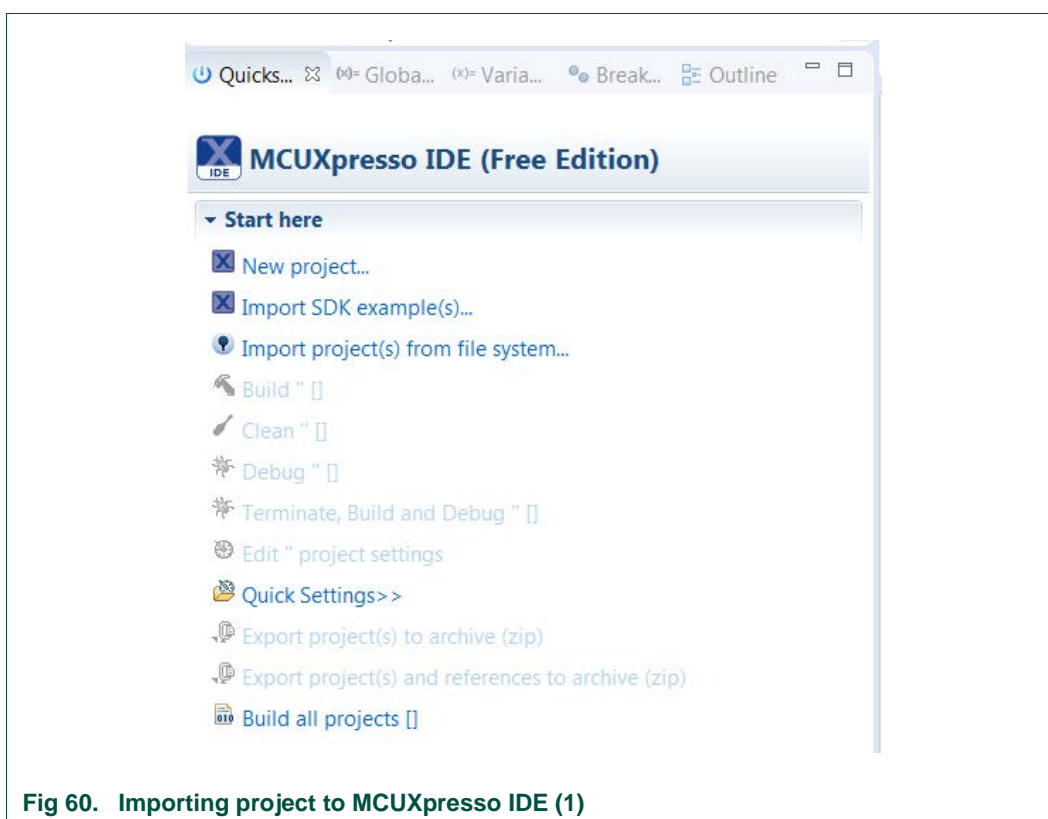


Fig 60. Importing project to MCUXpresso IDE (1)

In the “Quickstart Panel” window, click on Import project(s) from file system...

The dialog for importing projects opens.

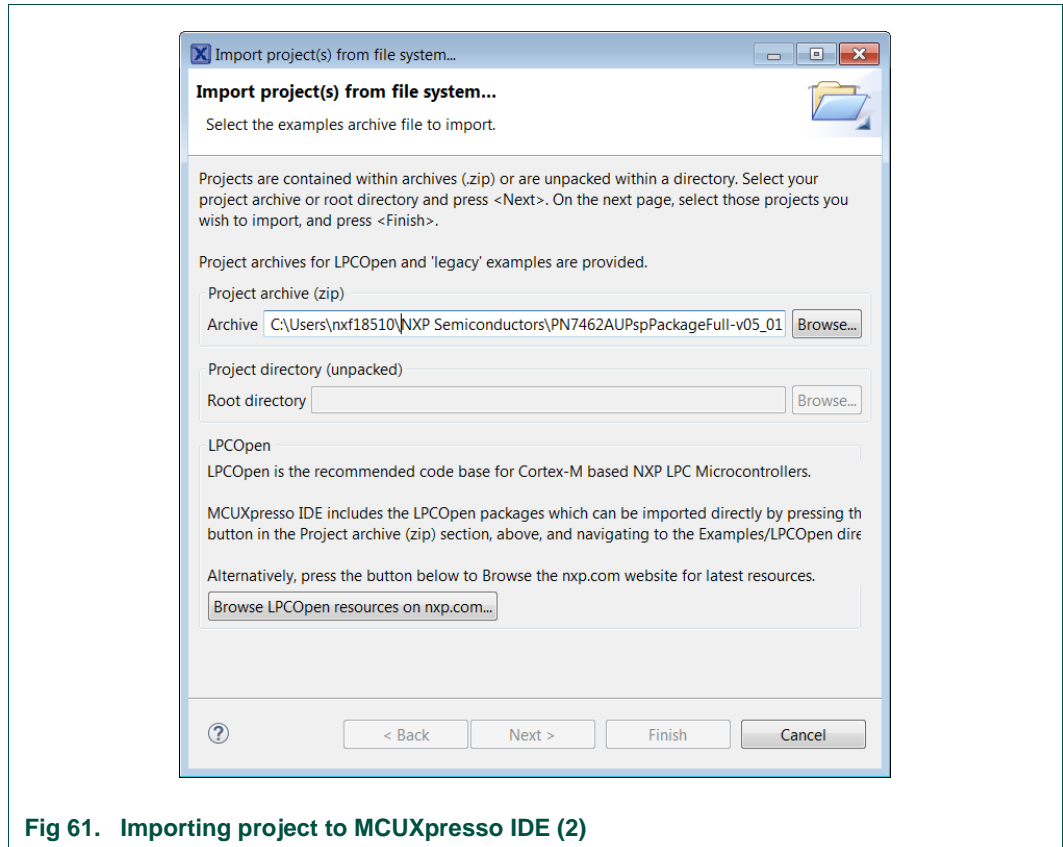


Fig 61. Importing project to MCUXpresso IDE (2)

Browse to the *PN7462AU-FW_vXX.XX.XX_Full.zip* and click “Next”.

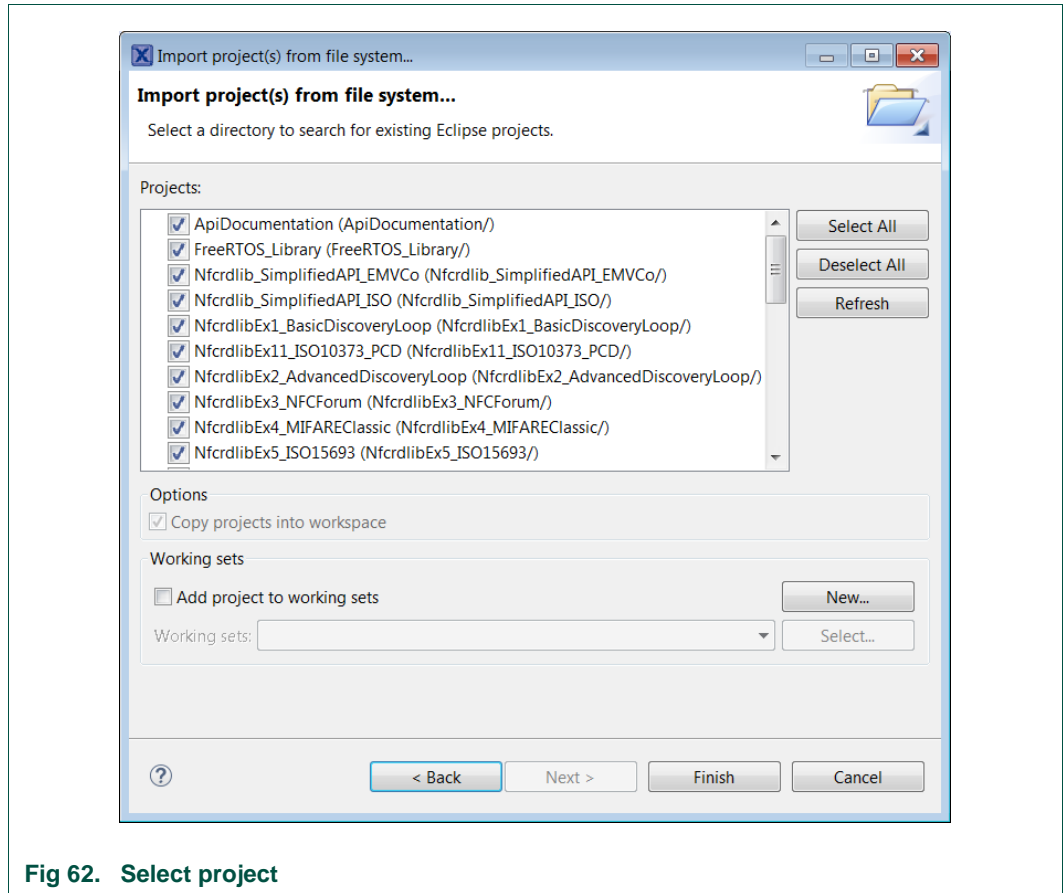


Fig 62. Select project

Select projects to be imported and then click “Finish”. Selected examples will be imported to the workspace.

When the import process is finished, the development and editing the code can start.

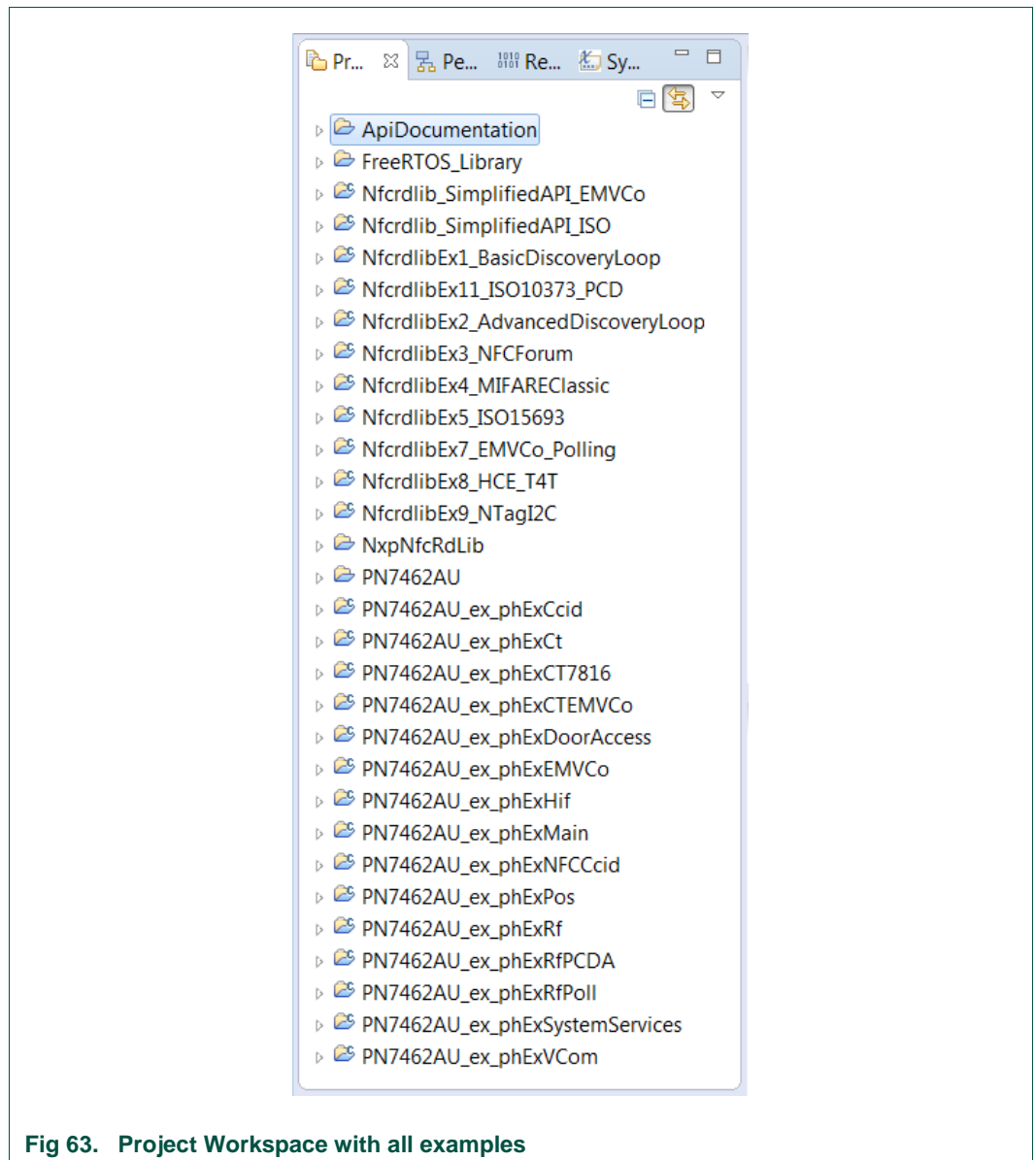


Fig 63. Project Workspace with all examples

8.6 Building projects

Building projects in a workspace can be started through Quickstart Panel - 'Build all projects' command. Alternatively, a single project can be selected in the "Project Explorer View" and built separately. Note that building a single project may also start a build of any associated library projects.

The project can be built as shown in the Fig 64.

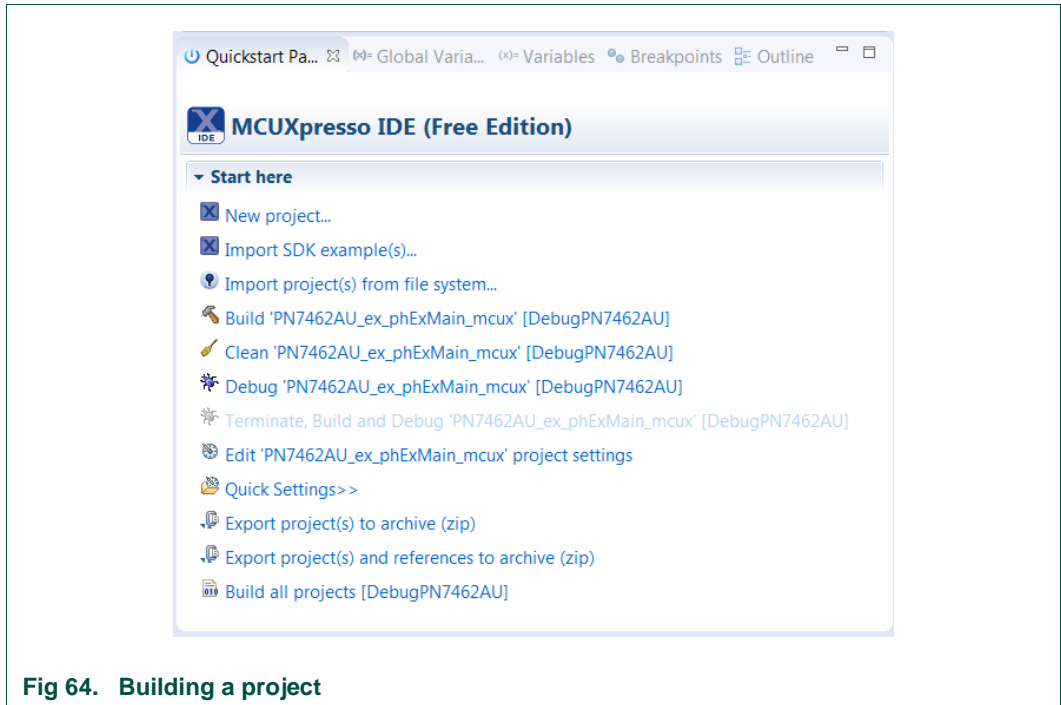


Fig 64. Building a project

As a part of the build process, the binary file for flash in AXF format is created. This binary file can be used to update PN7462AU flash via USB mass storage interface or by using flash tool or debug in MCUXpresso IDE. In case that “Binaries” folder is not visible in the project structure, refresh the project (right click on project and select “Refresh”).

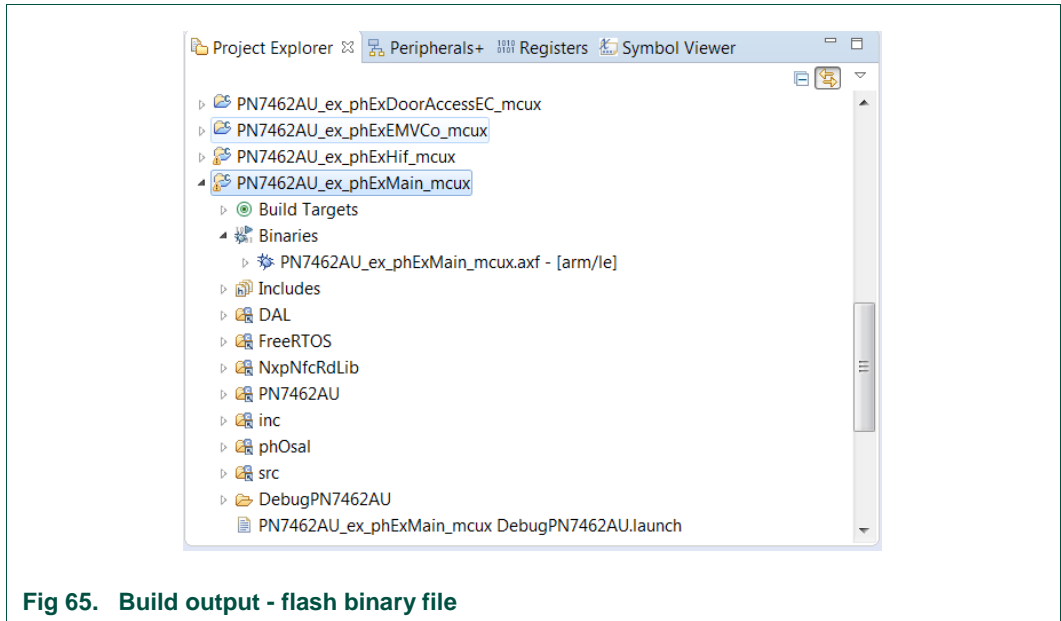


Fig 65. Build output - flash binary file

The project settings, compiler and link flags can be changed in the project properties dialog. To open the project properties dialog, select appropriate project in the “Project Explorer View” and click “Edit ‘selected-project’ project settings”.

Build result can be monitored on the build console Successful build Fig 66.

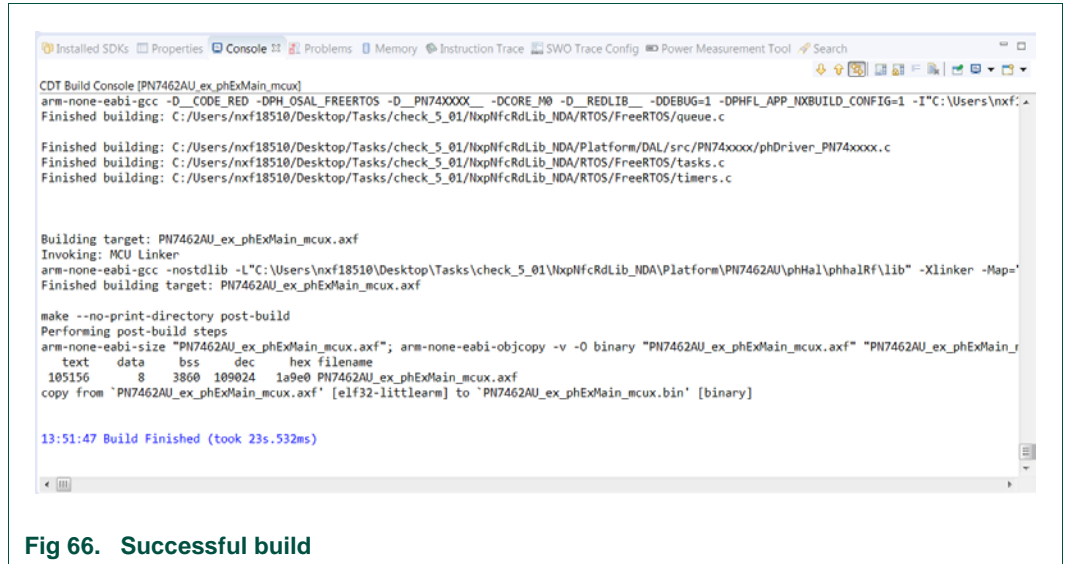


Fig 66. Successful build

8.7 Running and debugging the example projects

This description shows how to run the PN7462AU “PN7462AU_ex_phExMain” example application for the PN7462AU customer development board in debug mode. The same basic principles will apply for all other examples. In cases where example will need additional configuration this will be detailed described in the example description.

The PNEV7462B customer board needs to be connected to the host PC running the MCUXpresso software via LPC-Link 2, as shown in Fig 67.

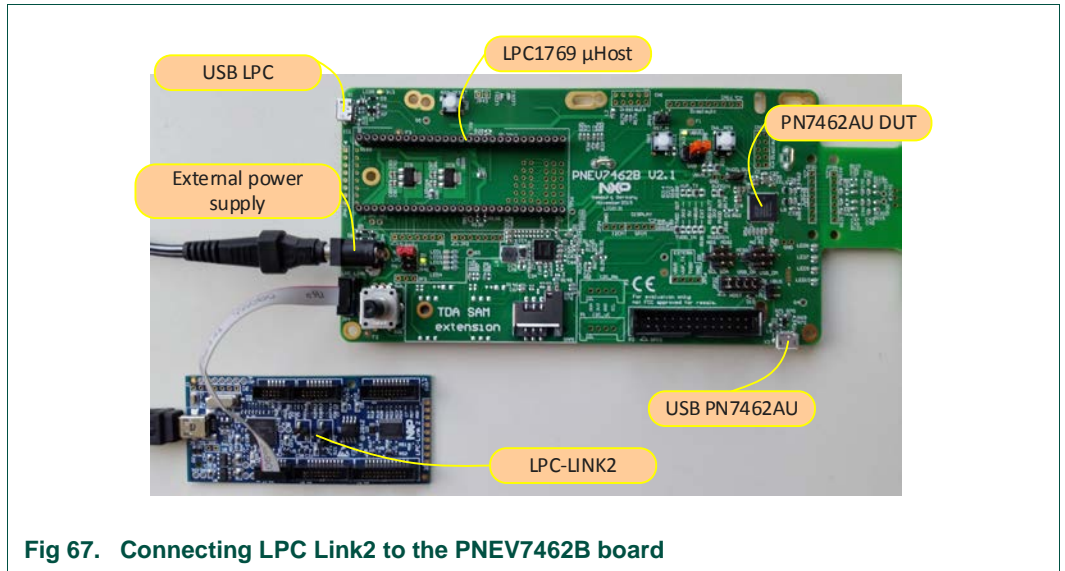


Fig 67. Connecting LPC Link2 to the PNEV7462B board

When debug is started, the application is automatically downloaded to the target and it's programmed to the flash memory; a default breakpoint is set on the first instruction in main (), the application is started (by simulating a processor reset), and code is executed until the default breakpoint is hit.

To start debugging your application on the PN7462AU, simply highlight the project in the Project Explorer and then in the Quick start Panel click Debug, as shown in Fig 68. The MCUXpresso IDE will first build application and then start debugging.

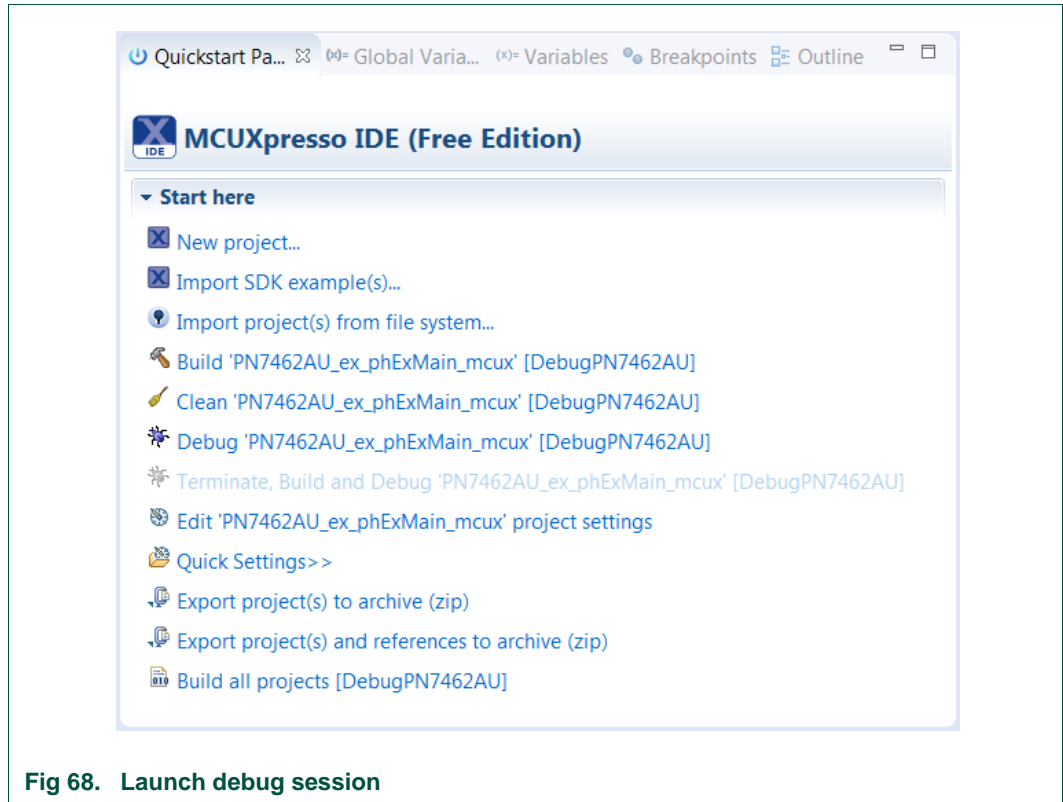


Fig 68. Launch debug session

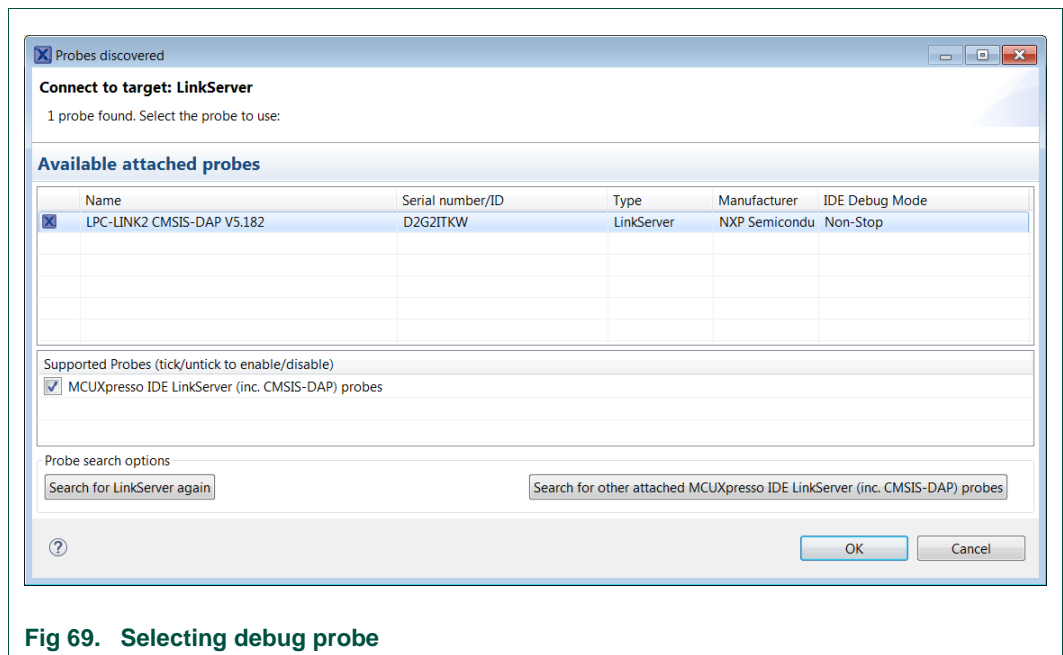


Fig 69. Selecting debug probe

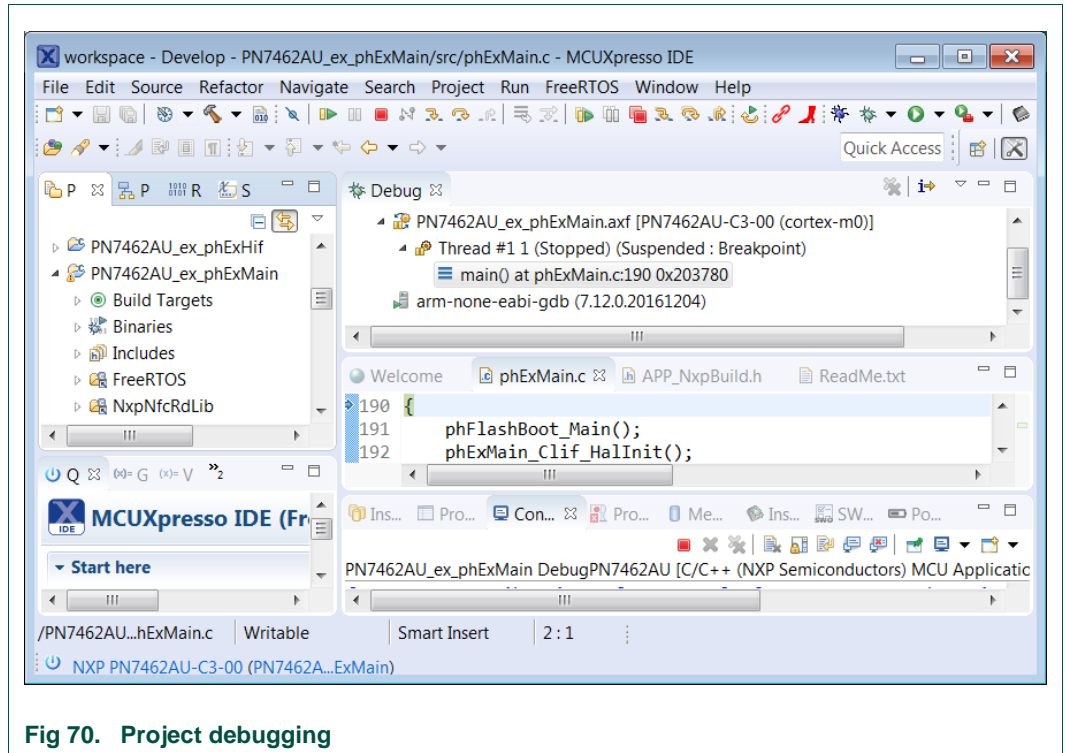


Fig 70. Project debugging

After the software upload, the execution of the application starts immediately.

8.7.1 Break points

PN7462AU supports 4 breakpoints and 2 watch points. In usual way, double click on the left vertical editor strip to set the break points. The execution of the application will be stopped when the break point is reached.

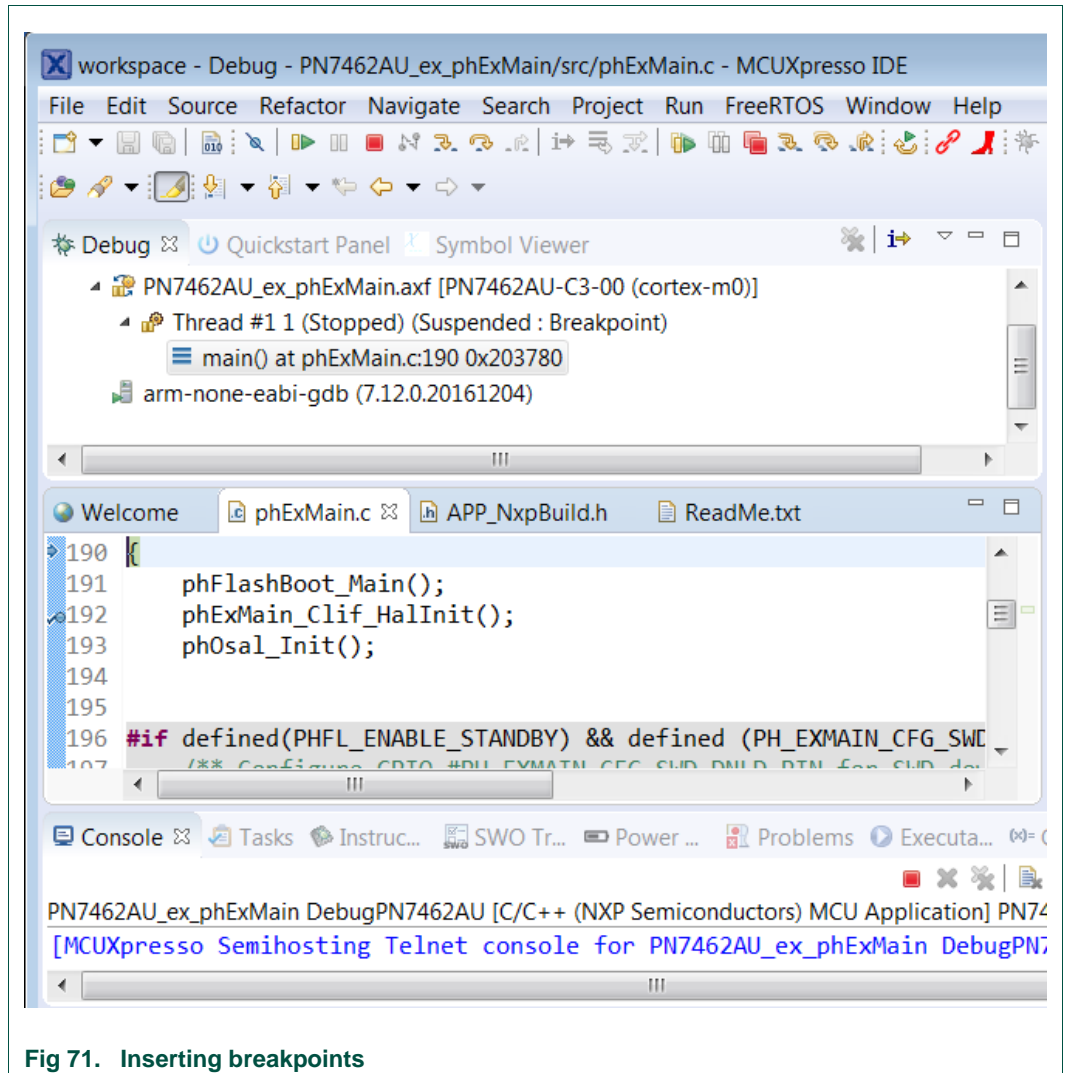


Fig 71. Inserting breakpoints

8.7.2 Debug traces

The debug traces can be seen on console as shown in Fig 72.

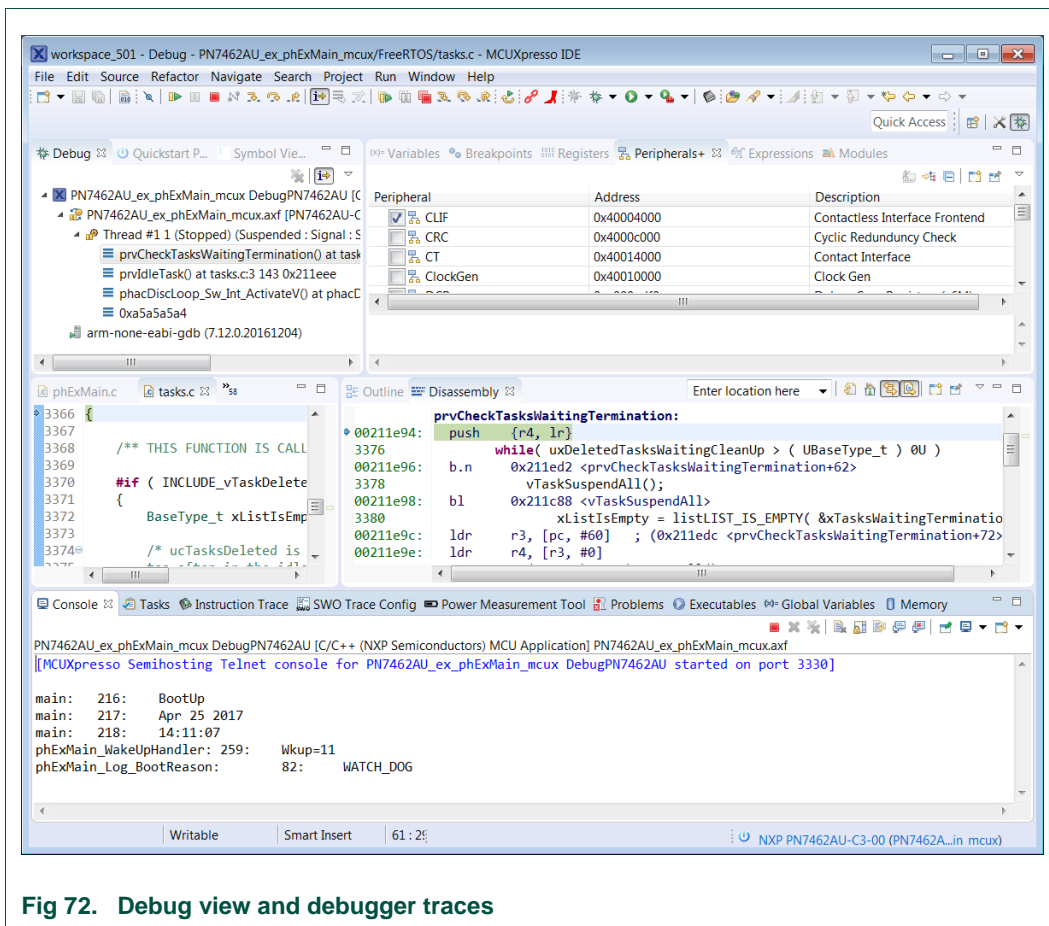
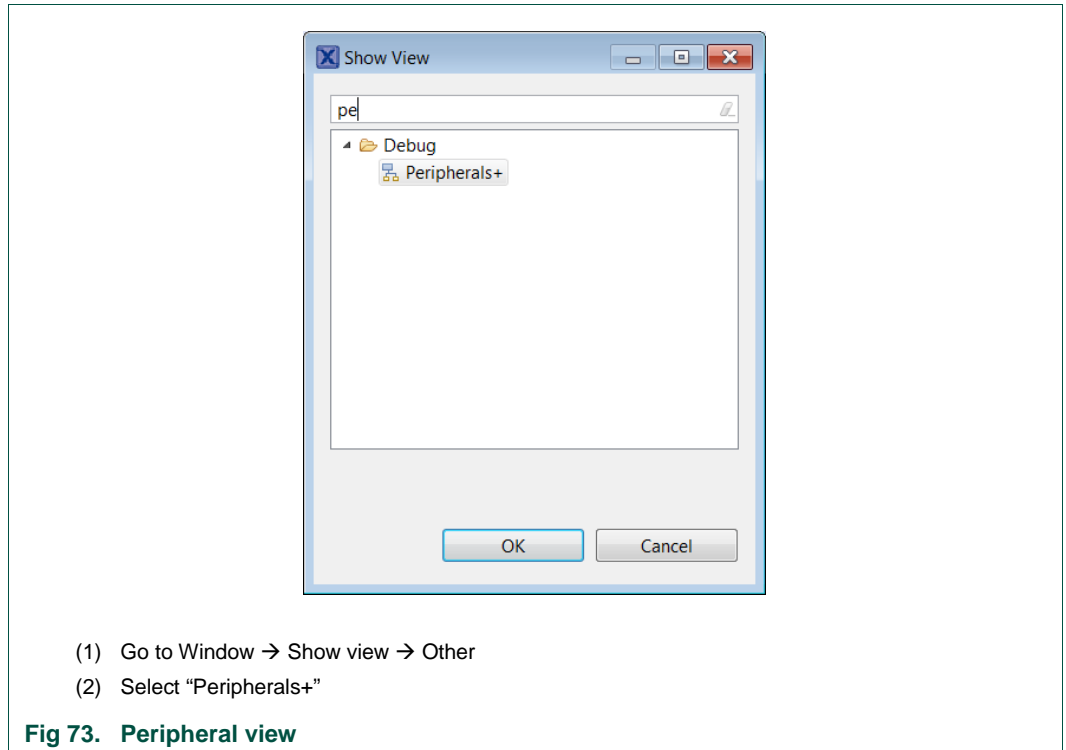


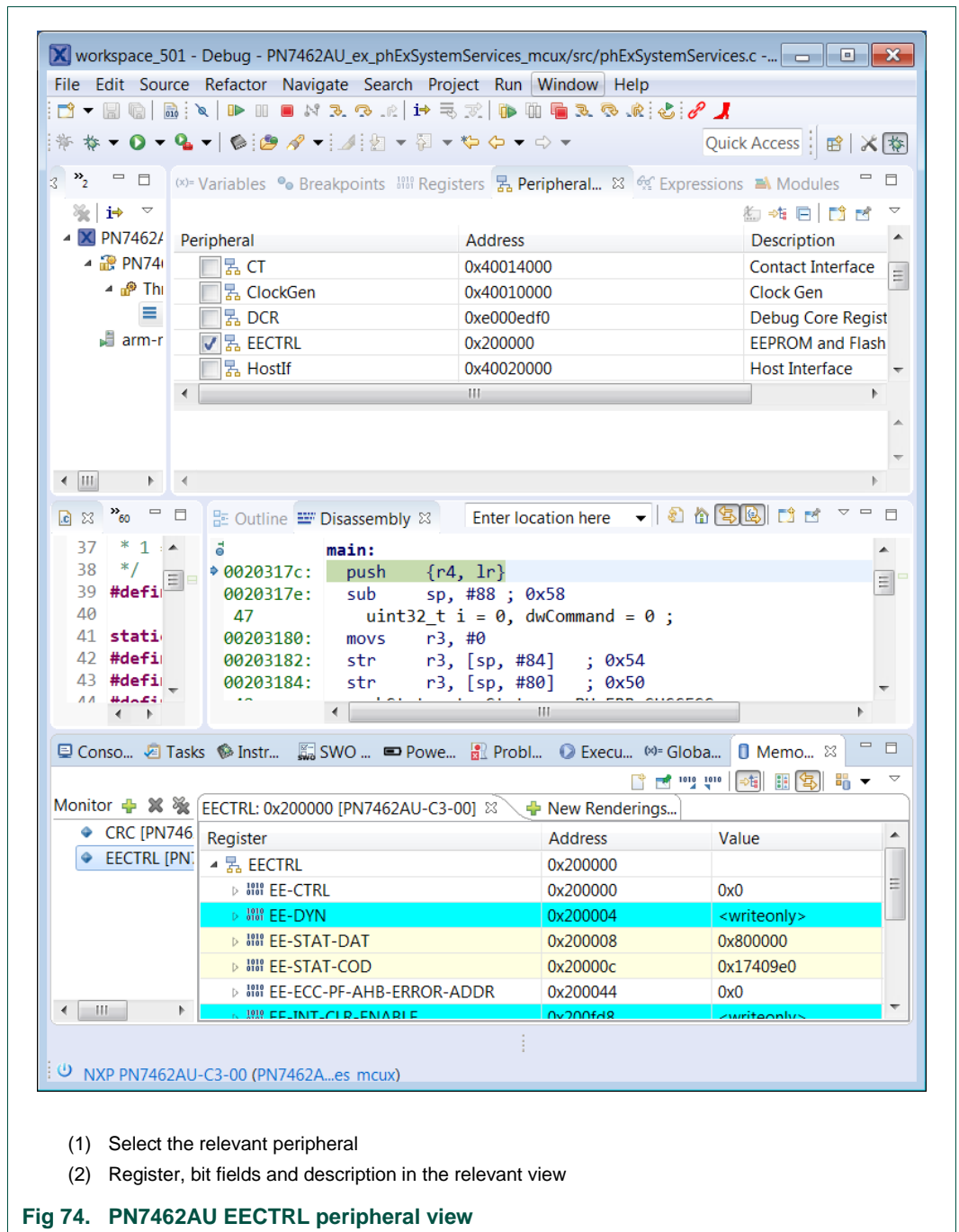
Fig 72. Debug view and debugger traces

8.7.3 Peripheral view

MCUXpresso IDE provides direct access to all the peripheral registers of the PN7462AU. To see the peripheral registers, follow the steps as shown below.



Select the appropriate register or IP to watch or change the register values. As shown below, we see the fields and description of the EEPROM Controller.



8.8 Updating PNEV7462B/C board firmware (flash and EEPROM memory)

PN7462AU flash memory can be updated either by using SWD interface and LPC-Link 2 debug probe or from primary bootloader mode (USB MSD).

8.9 Updating flash/EEPROM via SWD interface

Ensure that LPC-Link2 is connected to PNEV7462B board (see Fig 75) and follow the steps below.

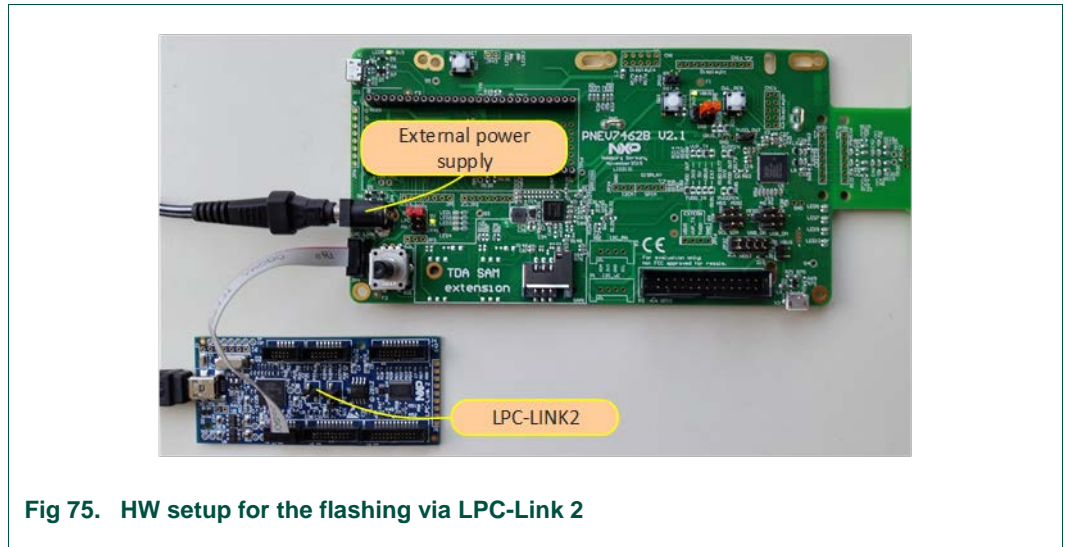


Fig 75. HW setup for the flashing via LPC-Link 2

Click icon (Fig 76) on the menu bar to start LinkServer GUI Flash programmer tool:



Fig 76. Starting flash tool in MCUXpresso

Once the flash tool started the correct connection and flash driver file needs to be specified. For PN7462AU-C03-00 the correct flash driver is *PN7xxxx_158k.cfx* when updating flash memory content and the base address is *0x203000*. When updating EEPROM settings appropriate driver is *PN7xxxx_EE_3_5k.cfx* and the base address is *0x201200*.

- (1) Select connection script, flash driver and binary file
- (2) Ensure that all the options are set properly and click OK

Fig 77. Build output - flash binary file

After selecting binary file flash process starts, and report is shown.

- (3) Flash report appears

Fig 78. Program flash report

8.10 Updating flash and EEPROM via USB MSD interface

PN7462AU flash and EEPROM content can be updated via USB interface (primary download mode). To mount a PNEV7462B/C as a USB Mass storage drive:

1. Ensure that “HIF selection” is USB, see Fig 79 (to be skipped with PNEV7462C board)
2. USB Port of the PC running Windows OS is connected to the micro USB port labelled X3 on the PNEV7462B
3. Press “RST_N” switch + Press “DWL_REQ” switch
4. Release “RST_N” and keep holding “DWL_REQ”
5. Release “DWL_REQ” button after about two seconds

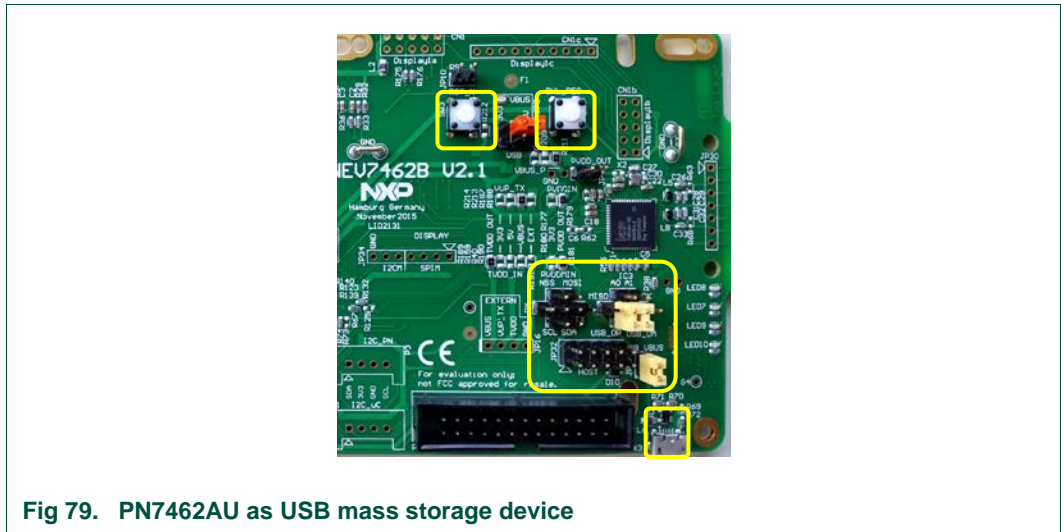


Fig 79. PN7462AU as USB mass storage device

Now the PNEV7462B is detected by the PC as an USB MSD.

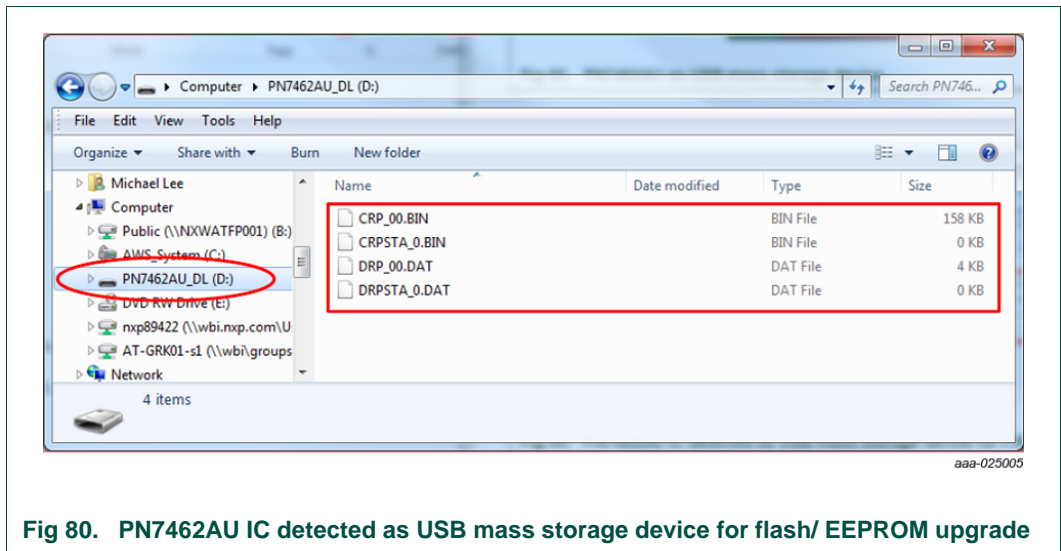


Fig 80. PN7462AU IC detected as USB mass storage device for flash/ EEPROM upgrade

When the PN7462AU is mounted as a USB mass storage device, the files listed in the table below are visible in the device root.

Table 7. Files found in USB mass storage

File	Description
CRP_<nn>.BIN	PN7462AU's user flash code (see Table 8 for description of <nn>)
CRPSTA_<s>.BIN	Status of previous write operation to user flash (see Table 9 for description of <s>)
DRP_<nn>.DAT	PN7462AU's user EEPROM date (see Table 8 for description of <nn>)
DRPSTA_<s>.DAT	Status of previous write operation to user EEPROM (see Table 9 for description of <s>)

PN7462AU USB mass storage supports various data/ code protection levels.

Table 8. Code and data protection level

<nn>	Description
00	Read and write allowed
01	Cannot read. Write allowed. Only applicable sectors erased before writing
02	Cannot read. All sectors of the applicable memory are erased before writing.
03	Cannot read. Cannot write via USB mass storage.

Table 9. Status of read write operating code

<s>	Description
0	Last write operation was successful
1	Memory region formatted
2 – or anything else	Failed
3	Fresh memory (FLASH/ EEPROM has never been downloaded via USB mass storage)

To update the flash or EEPROM via USB once the device is in USB primary download mode, the following instructions are to be followed:

1. Navigate to the newly mounted PN7462AU drive.
2. Delete CRP_<nn>.bin file in case the flash area needs to be updated or DRP_<nn>.bin file in case the EEPROM area needs to be updated.
3. Copy the flash or EEPROM binary to the new drive.
4. PN7462AU should automatically un-mount and re-mount itself.
5. The update was successful, if the following status files are present on the USB MSD.
CRPSTA_00.bin for the flash memory,
DPRSTA_00.bin for the EEPROM memory.
6. Press the "RST_N" switch and PN7462AU starts executing the new flash code.

9. PN7462AU software examples

9.1 General overview

For a detailed description of examples, please refer to the [5].

Before running examples assure the proper EEPROM configuration is updated (see 8.4).

9.1.1 Application messages – debug printouts

The examples are supporting debug messages printouts via the LPC-Link 2 debug probe directly to the MCUXpresso IDE console. The LPC-Link 2 probe needs to be connected to the board (Fig 75). “Debug build” configuration enables printout of application messages. Printout messages are displayed in the Debug Messages Console View. Console view can be opened in menu “Window → Show View → Console” or by clicking the shortcut keys “Alt+Shift+Q C”.

9.1.2 LEDs status specifications

All examples are programmed in way that LEDs on the board shows the current status of the running example. At the polling, all LEDs are turning on in a circular sequence and when any card is detected the Fig 81 represent the meaning of the LED pattern.

		Blue	Green	Yellow	Red
CL					
	Card detected			Yellow	
	Operation successful		Green	Yellow	
	Operation/transaction failed			Yellow	Red
	Operation Ongoing		Green Blink on steps	Yellow	
Ct					
	Card detected	Blue			
	Operation successful	Blue	Green		
	Operation/transaction failed	Blue			Red
	Operation Ongoing	Blue	Green blink on steps		

Fig 81. LEDs status

9.2 PN7462AU_ex_phExMain – (CLIF + CTIF functionality)

The “phExMain” is the main example demonstrating CLIF and CTIF functionalities. CLIF functionality covering NFC Forum operation modes: R/W mode, card mode and P2P mode. The “phExMain” is the root of many sub examples described below. For task and interface managing, the application can be configured to use FreeRTOS or not.

Contactless operation:

1. Reader mode

Supports TypeA, TypeB, Felica, ISO15693, ISO18000p3m3 protocols. Example application can support only one card per technology. Supports up-to read and write for all protocols. Supports proprietary cards MIFARE Classic, MIFARE Ultralight EV1 and MIFARE Ultralight C till read and write. Supports authentication and reauthentication for MIFARE Classic and inventory read command for ICODE SLIX. Since Inventory read is a manufacturer specific proprietary command, thus, inventory read will work only for NXP manufactured ICODE cards one of which is ICODE SLIX. Supports Topaz/Jewel Tags - Command supported RID, READ8, WRITE-NE8

2. Peer to peer mode

Supports Active F 212 till PSL request only. Supports Passive A 106 and performs DEP exchange. API Given for active DEP transmit for f212.

3. Card mode

Emulates as Type A Card and support till RATS exchange.

Contact card operations:

ISO7816 Profile – implementation in source file phExMain_Ct.c: Supports SCosta card (ISO7816 profile) presence check, activation, PPS Exchange for higher baud rate, APDU exchange with card according to card's protocol (Either T0 or T1). Supports reading and writing binaries to SCosta card for selected EF.

9.2.1 Demo setup

This section describes in detail the setup and execution environment required for *phExMain* application.

The following devices are required to run the example:

1. PNEV7462B/C
2. LPC-Link 2 board
3. Power adapter
4. Contactless cards: Type A, Type B, Type F
5. Contact card ISO7816 compatible

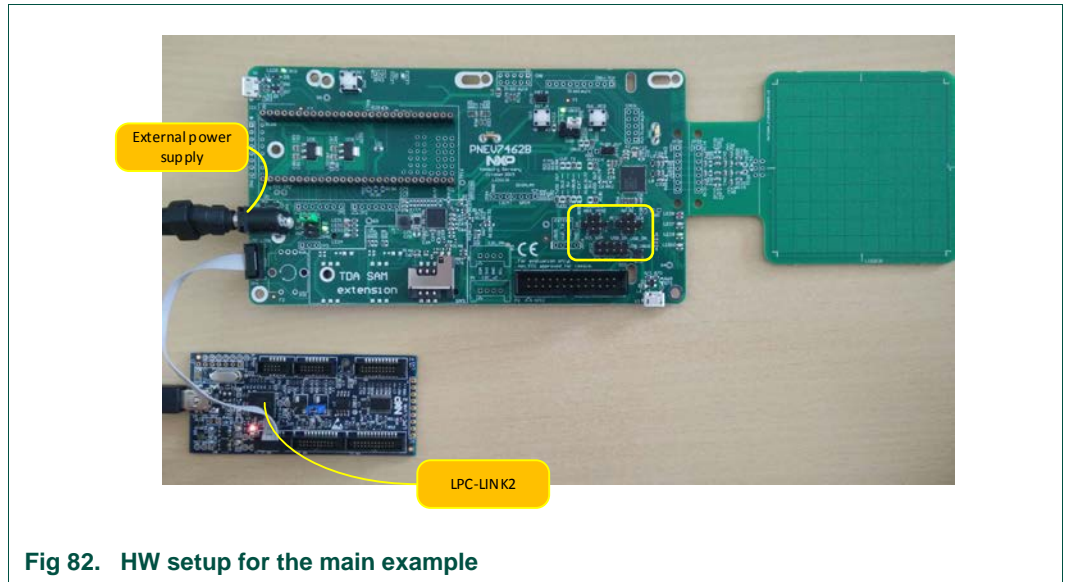


Fig 82. HW setup for the main example

9.2.2 Features

“phExMain” example is covering the following features:

Table 10. “phExMain” Example features

Feature	supported
CLIF Interface	Yes
CT Interface	Yes
NXP NFC Reader Library	Yes
CT Reader Library	Yes
FreeRTOS	Yes
Non RTOS	Yes
Standby mode	Yes
HIF/MIF Interface	No

9.2.3 FreeRTOS usage in this example

Example can be built in two configuration modes, with FreeRTOS and without FreeRTOS support.

By setting precompile directive “#PHFL_HALAPI_WITH_RTOS” or “#PHFL_HALAPI_NO_RTOS” the mode of the configuration is specified.

To build example in one or another mode, comment/uncomment proper directive in the “APP_NxpBuild.h” file.

In case of FreeRTOS mode, 3 tasks are used to control application flow:

- System Task which switches between CLIF functionality and CT functionality and handles system functions such as going to standby

- CLIF Task which executes NFC A, B, F reader application or EMV application and discovery loop
- CT Task which does an activation of a JCOP contact card, selects the T=1 protocol and executes EMV Card application.

In case of non RTOS support one main task is taking control on the application flow.

9.2.4 Operation with standby and without standby

Based on the compile time options, system task is responsible for managing different operation modes. The application can be in:

- Standby mode with wakeup timer and CT presence as wakeup configuration.
- Full power mode with GP Timer1 and CT presence interrupt enabled.

The standby feature can be enabled/disabled at compile time with the precompile directive. To enable standby mode “#PHFL_ENABLED_STANDBY” directive needs to be uncomment and can be found in the “*APP_NxpBuild.h*” file.

In this configuration, the FW by default puts the IC to standby and enables the wakeup sources such as contact card presence, wakeup timer and RF level detector (only for listen mode). The wakeup timer duration is taken from EE configuration (by default: 300ms). The IC wakes up at every wakeup timer duration and polls for contact card presence and if not present, polls for contactless technologies (or LPCD).

When a contactless or contact card is detected, the FW executes the corresponding application and returns back to standby.

In case “Standby” feature is disabled, the FW uses General Purpose Timer 1 as wakeup timer and CT presence interrupt to either branch to Contactless application or Contact application respectively.

The below 2 diagrams explain the Standby and Non-Standby scenarios. See Section 7.7 for further reference regarding RTOS.

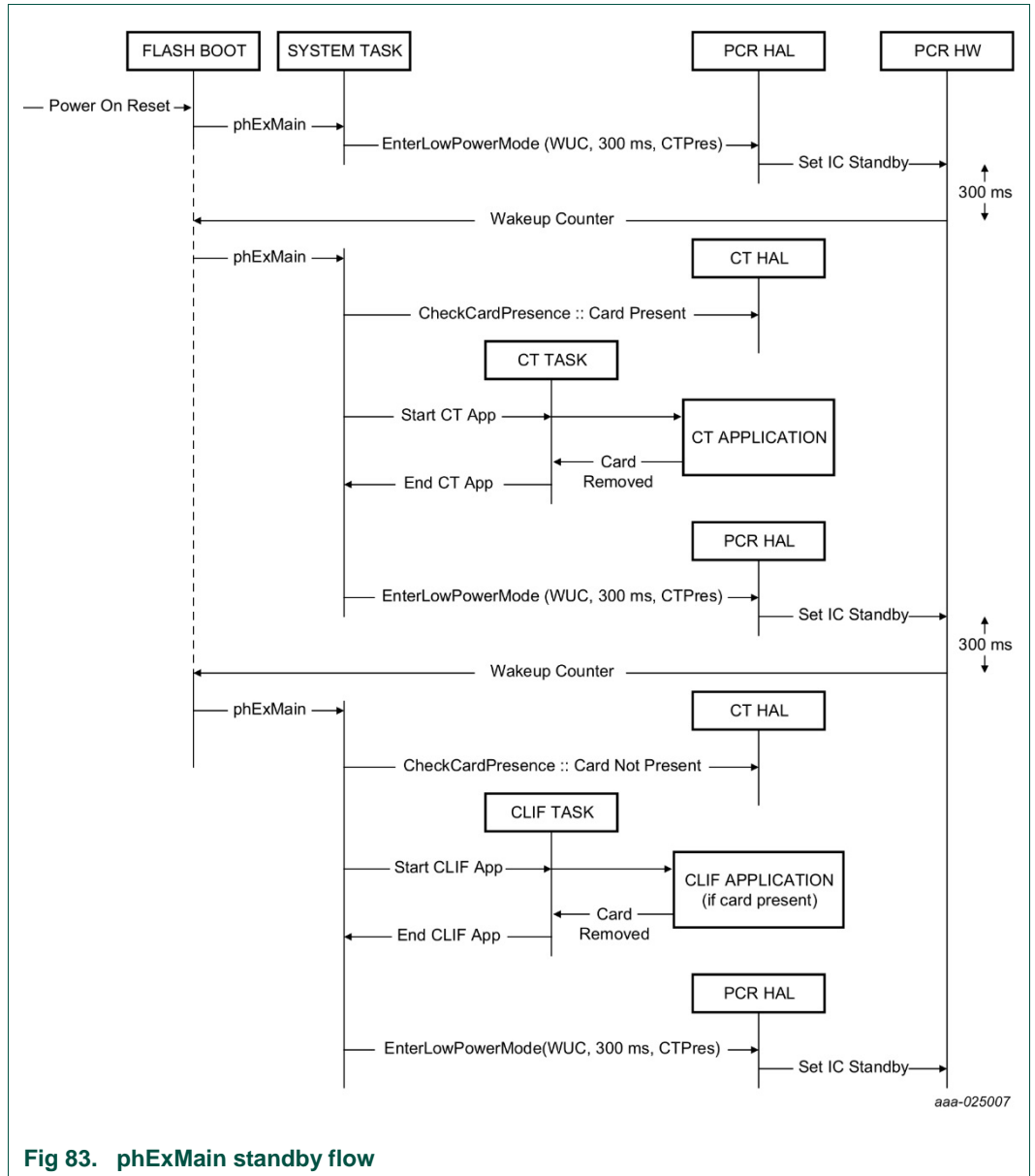


Fig 83. phExMain standby flow

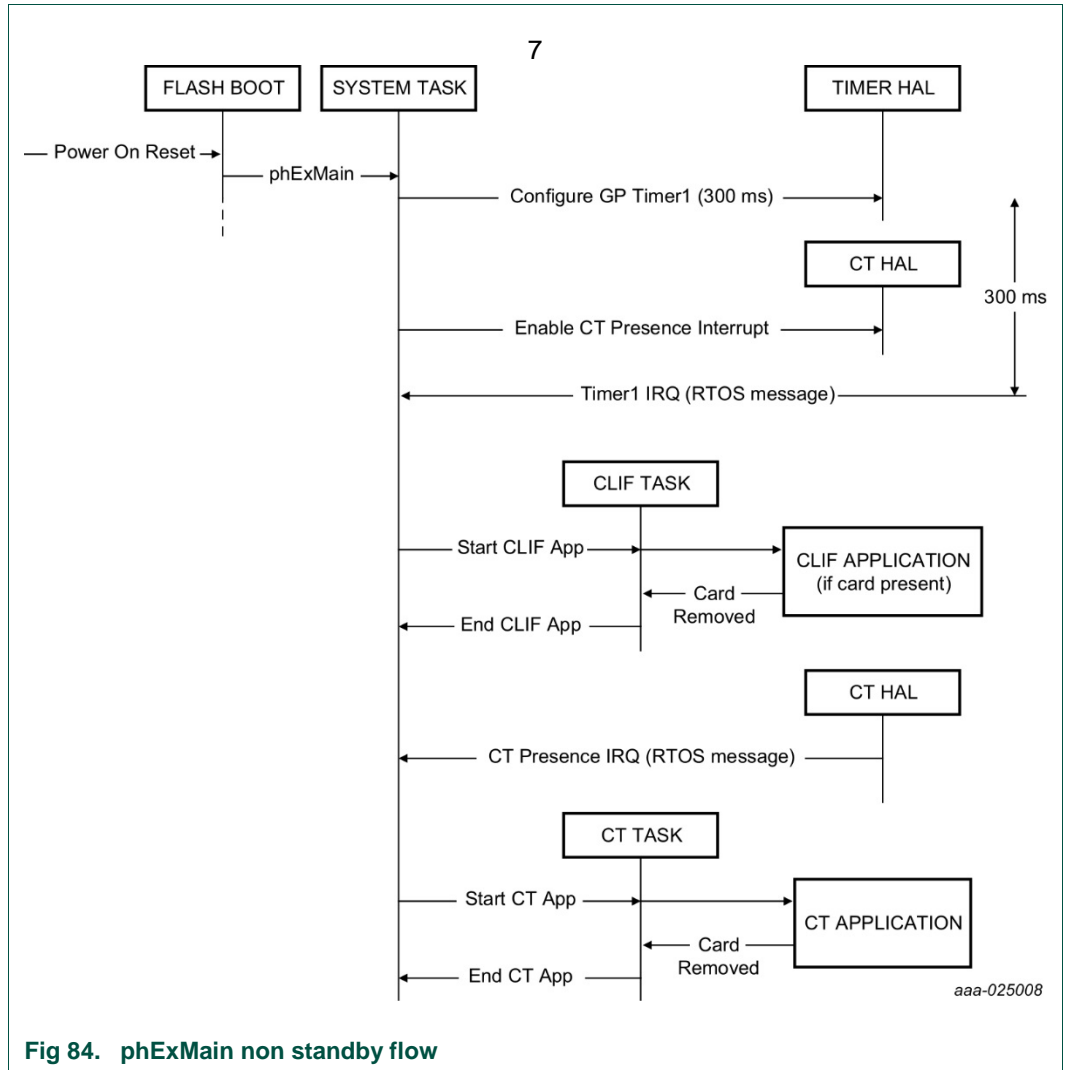


Fig 84. phExMain non standby flow

9.2.5 MIFARE Classic

The MIFARE Classic example is implementing basic read/write functionality using a MIFARE Classic card with a predefined default key. If a Type A card is detected with SAK of 0x8 (1K MIFARE Classic card) or 0x18 (4K MIFARE Classic card), then the MIFARE Classic example is executed. The example performs initial authentication of block X and then reads/writes to this sector. Further the example performs authentication of another block (say X + 1) using the session key established during initial authentication (this is called re-authentication). It then performs read/write to this block X+1. See the function `phExMain_MiFareClassic()` and `phExMain_MifareOperations()`

Supported Functionality:

1. Authentication & Re-Authentication
2. Read/Write

Implementation in the `"phExMain_MiFareClassic.c"` file.

9.2.6 MIFARE Ultralight

The MIFARE Ultralight example is implementing basic read/write functionality using a non-secure MIFARE Ultralight card. If a Type A card is detected with SAK 0x00, then MIFARE Ultralight example is executed.

The example performs read and write to predefined pages of the card.

Supported functionality:

1. Read
 2. Write
- Since the stack also supports Type 2 tag, a check is performed to see if the card is NDEF tag or MIFARE Ultralight tag

Implementation in the *"phExMain_MiFareUltralight.c"* file.

9.2.7 MIFARE DESFire

If the detected SAK is 0x20 (expected card is MIFARE DESFire EV1), then ISO14443-4 Type A reader example is executed. The MIFARE DESFire example implements L4 exchange of "GetVersion" command at 106, 212, 424 and 848 kbps. No other commands are currently exchanged as they require authentication and crypto operations (which are not currently supported in the release).

Supported functionality:

1. Get Version at 106/212/424/848 kbps

Implementation in the *"phExMain_TypeA_L4Exchange.c"* file.

9.2.8 Jewel reader

If the ATQA of a Type A card denotes jewel card, the jewel example is executed.

The jewel example assumes a non-secure jewel card. The example performs read and write to predefined blocks of the card.

Supported functionalities:

1. Read
 2. Write
- Since the stack also supports Type 1 tag, a check is performed to see if the card is an NDEF tag or jewel card.

Implementation in the *"phExMain_Jewel.c"* file.

9.2.9 ISO15693 – ICODE SLIX

The example performs read and write to predefined blocks of the card.

Supported functionality:

1. Read single block

2. Write single block
3. Datarate Tx - 26kbit/s (1out of 4 coding) and Rx 26kbit/s

Implementation in the *"phExMain_ISO15693.c"* file.

9.2.10 ISO18000-3.3 – ICODE ILT

The example performs read and write to predefined blocks of the card.

Supported functionality:

1. Read block
2. Write word
3. TX TARI = 9.44 and RX 424_2 Manchester Period

Implementation in the *"phExMain_ISO18000p3m3.c"* file.

9.2.11 Type B eZLINK/ SLE card

If the detected technology is Type B, then ISO14443-4 Type B reader is executed.

This example is used demonstrate the ISO144434 exchange of APDUs to a Type B card at all baud rates.

Supported functionality:

1. Get Challenge106/212/424/848 kbps
2. No encryption

Implementation in the *"phExMain_TypeB_L4Exchange.c"* file.

9.2.12 Type F (FeliCa tag)

This example is used to read and write FeliCa frames to FeliCa tags at 212/424 kbps.

Since the stack supports Type 3 tags, check is performed to see if the card is a NDEF tag or FeliCa card.

Supported functionality:

1. CHECK
2. UPDATE
3. 212/424 kbps

Implementation in the *"phExMain_FeliCa.c"* file.

9.2.13 ISO14443-4 card mode (till activation)

During listen, the example can be configured to either act as ISO14443-4 card emulator (SAK = 0x20) or NFC-DEP Target (SAK = 0x40). This configuration is done via #define macro in *phExMain_Clif.h*

If the SAK is 0x20, discovery loop detects peer ISO14443A reader, the *phExMain_CardMode* is executed, that responds to RATS from the reader. This example

does not demonstrate L4 APDUs exchange (it is done in phExHCE and phExNFCForum).

9.2.14 Passive and active ISO18092 initiator (till activation)

During active poll mode, if ATR_REQ is received or during passive poll mode, if SAK denotes 0x40, then the example implemented in phExMain_PasIni.c/ phExMain_ActIni.c is executed. These examples simply transmit a DEP_REQ command with arbitrary payload to peer target. The purpose of this example is only to demonstrate integration of ISO18092.

9.2.15 Passive ISO18092 target (till activation)

During listen, the example can be configured to either act as ISO14443-4 card emulator (SAK = 0x20) or NFC-DEP Target (SAK = 0x40). This configuration is done via #define macro in *phExMain_Clif.h*.

If the SAK is 0x40, discovery loop detects peer ISO18092 initiator, the phExMain_PasTgt is executed, that responds to ATR_REQ from the initiator. This example further waits for a NFC-DEP frame from the initiator.

9.2.16 Contact Example

If the IC boots because of CT presence wakeup reason or if the CT presence interrupt is generated, the System task starts the CT task. The CT task performs the Contact application. The contact application activates the card, and determines the card is of EMVCo payment card or nonpayment card. If payment card is detected, the application further communicates with the card to know which type of card (Master card, VISA or AMEX card), and prints the information.

Supported ISO7816 Functionality:

1. ATR Parsing
2. Create MF
3. Create EF
4. Select EF
5. Write Binary
6. Read Binary
7. Delete EF
8. SCOSTA Card
9. TA1 = 97
10. Supports Class A (DCDC always in double mode)

9.2.17 RTOS task management

The phExMain example can be executed in both RTOS. In RTOS environment, three tasks are created.

1. System task
 - a. Creates CLIF task
 - b. Creates CT task

- c. Waits for PMU/PCR exception events
 - d. Waits for CLIF Task completion if standby is enabled
 - e. Waits for CT Task completion if standby is enabled
 - f. Enter low power mode (standby)
2. CLIF task
 - a. Starts GP timer for listen duration if standby is **not** enabled and wait for GP timer expiry
 - b. Configure external RF on detection
 - c. If boot reason is WUC counter or GP timer expiry, perform polling mode of discovery loop
 - d. If boot reason is RFLD or external RF is detected, perform listen mode of discovery loop
 - e. Notify system task if polling/listening is completed and standby is enabled
 3. CT task
 - a. Enable CT presence interrupt and wait for CT presence interrupt
 - b. If boot reason is CT presence or CT presence interrupt is detected, perform CT example
 - c. Notify system task if polling/listening is completed and standby is enabled

Fig 85 and Fig 86 illustrate one instance of phExMain execution for both standby and non-standby scenarios.

- Please note that the CLIF and CT tasks are independent and can concurrently operate the CL and CT interfaces. During such concurrent operation, there is a possibility that CT interface may be unstable. It is up to the application design to configure interrupt and task priorities for a stable operation.

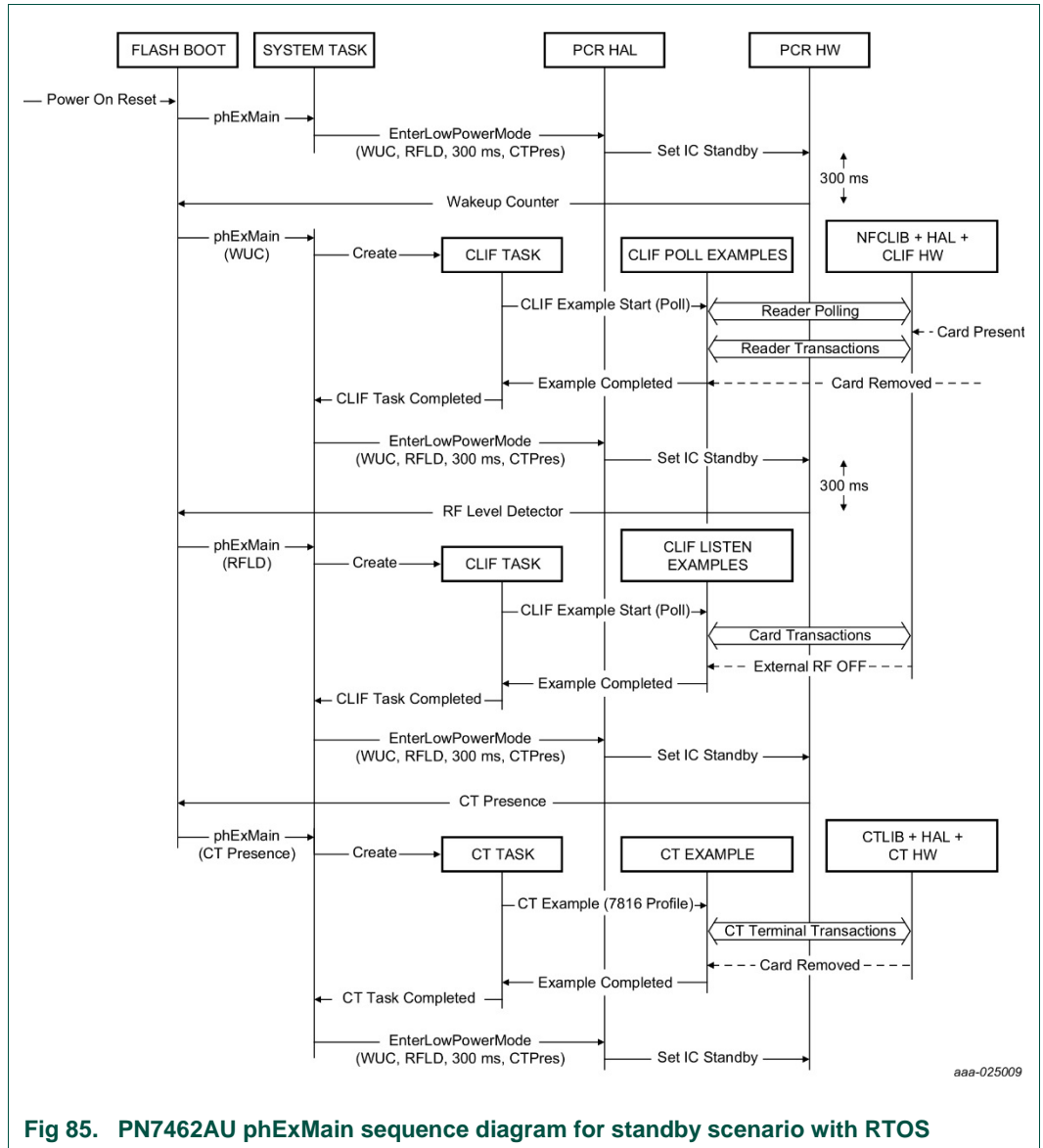
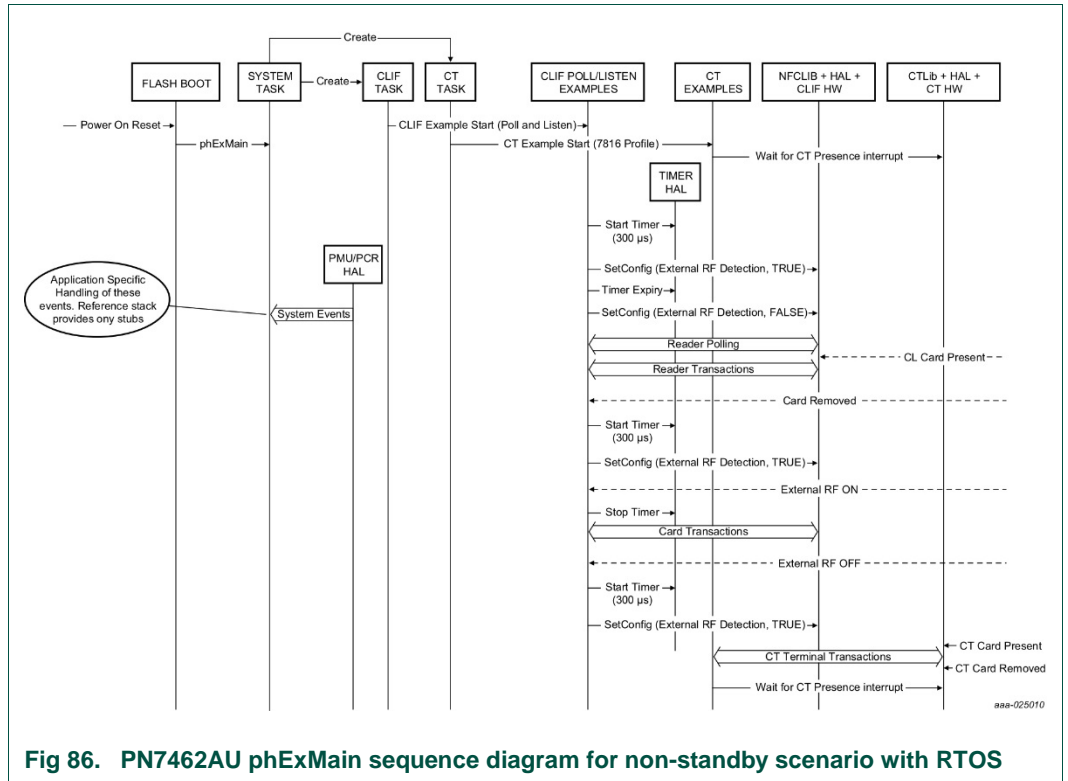


Fig 85. PN7462AU phExMain sequence diagram for standby scenario with RTOS



9.2.18 No-RTOS management

In case of No-RTOS the entry point from flash boot is `phExMain_NoRTOS`. The functionality remains the same except that the CLIF example and the CT examples are called from a single executive while loop based on timer interrupt or external RF detection or CT presence interrupt.

9.3 PN7462AU_ex_phExEMVCo (CLIF + CTIF functionality)

The “*phExEMVCo*” is an example which implements the polling for the EMVCo contact and contactless cards and implement reference EMV transaction.

Application is based on the NFC Reader Library, CT Library and be run with or without FreeRTOS.

9.3.1 Demo setup

This section describes in detail the setup and execution environment required for the “*phExEMVCo*” application.

The following things are required for setup:

1. PNEV7462B/C board
2. LPC-Link 2 board
3. Power adapter
4. Contact and contactless EMVCo card

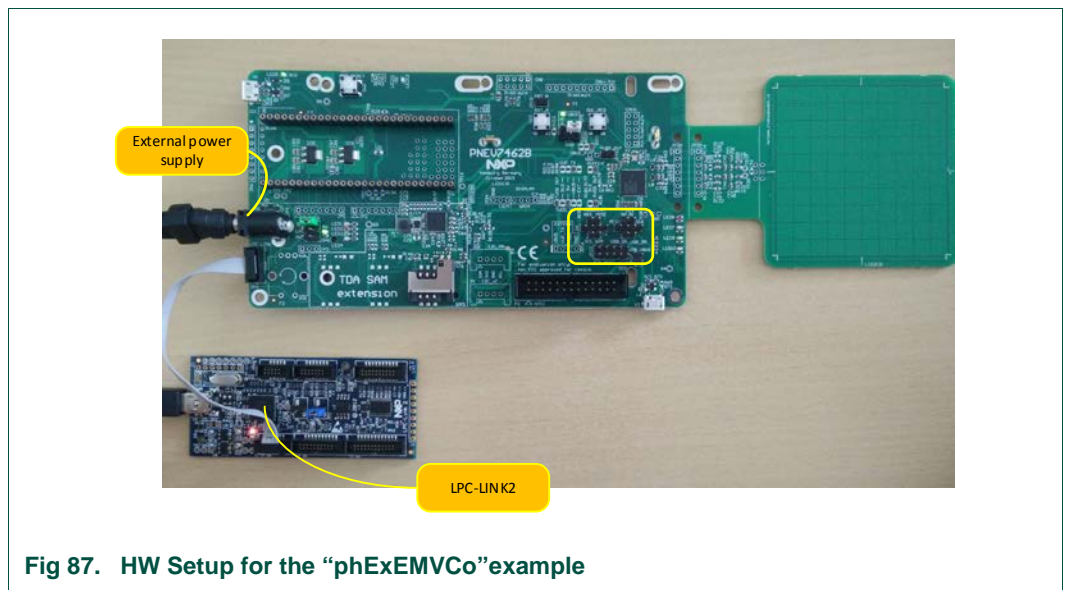


Fig 87. HW Setup for the “*phExEMVCo*” example

9.3.2 Features

“*phExEMVCo*” example features:

Table 11. “*phExEMVCo*” Example features

Feature	supported
CLIF Interface	Yes
CT Interface	Yes
NXP NFC Reader Library	Yes
CT Reader Library	Yes
FreeRTOS	Yes

Feature	supported
Non RTOS	Yes
Standby mode	No
HIF/MIF Interface	No

9.3.3 EMVCo polling loop

In this example EMVCo polling loop is enabled. In this profile, only Type A and B technology polling is enabled and bail out is set such that both A and B techs are polled even if one of them is detected. This is to ensure no two cards of same/different tech are present in the POS for EMV transaction. Low Power Card Detection (LPCD) is disabled in this profile.

9.3.4 EMV transaction

This example implements next EMV Transactions:

- SELECT (PPSE)
- SELECT command
- GET PROCESSING OPTIONS
- READ RECORD
- GENERATE AC

Supported EMV functionality:

- ATR Parsing accordingly to the EMV specifications
- Send Different AIDs to identify card
 - Master Card: Credit or Debit
 - Visa Card: Credit or Debit
 - Master Card: Maestro (debit card)
 - Master Card: Cirrus (interbank network)
 - Master Card: Maestro UK
 - Visa Card: Electron card
 - Visa Card: V PAY card
 - Visa Card: VISA Plus card
 - Amex Card –
- Class A (DCDC always in double mode)

9.3.5 RTOS task management

- For information regarding RTOS task management, refer to Section 9.2.17

9.3.6 No RTOS management

- For information regarding No RTOS management, refer to Section 9.2.18

9.4 PN7462AU_ex_phExRf (CL functionality)

The “*phExRf*” is an example which implements the polling for contactless cards without NFC Reader Library support. Application use only HAL APIs and perform same CLIF functionality as 0 “*phExMain*” example with the only difference that for the transaction static predefined packets are used.

Application does not implement CT and “Standby” functionality and it is not based on the FreeRTOS.

9.4.1 Demo setup

This section describes in detail the setup and execution environment required for “*phExRf*” application.

The following devices are required to run the example:

1. PNEV7462B/C board
2. LPC-Link2 board
3. Power adapter
4. Contactless cards Type A, Type B, Type F, ISO15693
5. NFC Enabled Phone

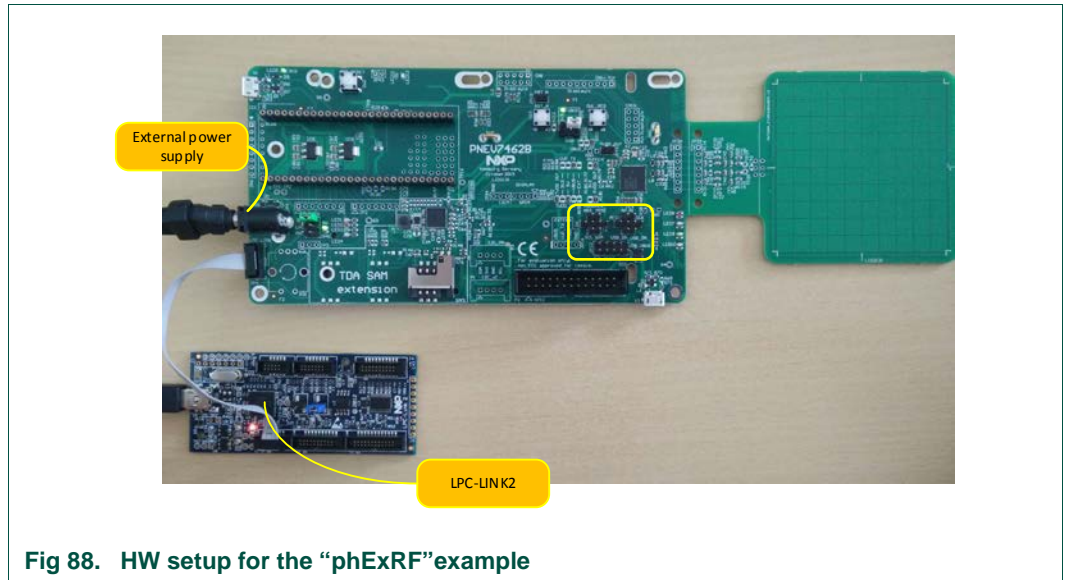


Fig 88. HW setup for the “phExRF” example

9.4.2 Features

“*phExRF*” example is covering next features:

Table 12. “phExRf” Example features

Feature	supported
CLIF Interface	Yes
CT Interface	No

Feature	supported
NXP NFC Reader Library	No
CT Reader Library	No
FreeRTOS	No
Non RTOS	Yes
Standby mode	No
HIF/MIF Interface	No

9.4.3 Application Flow

The figure below demonstrates the application flow.

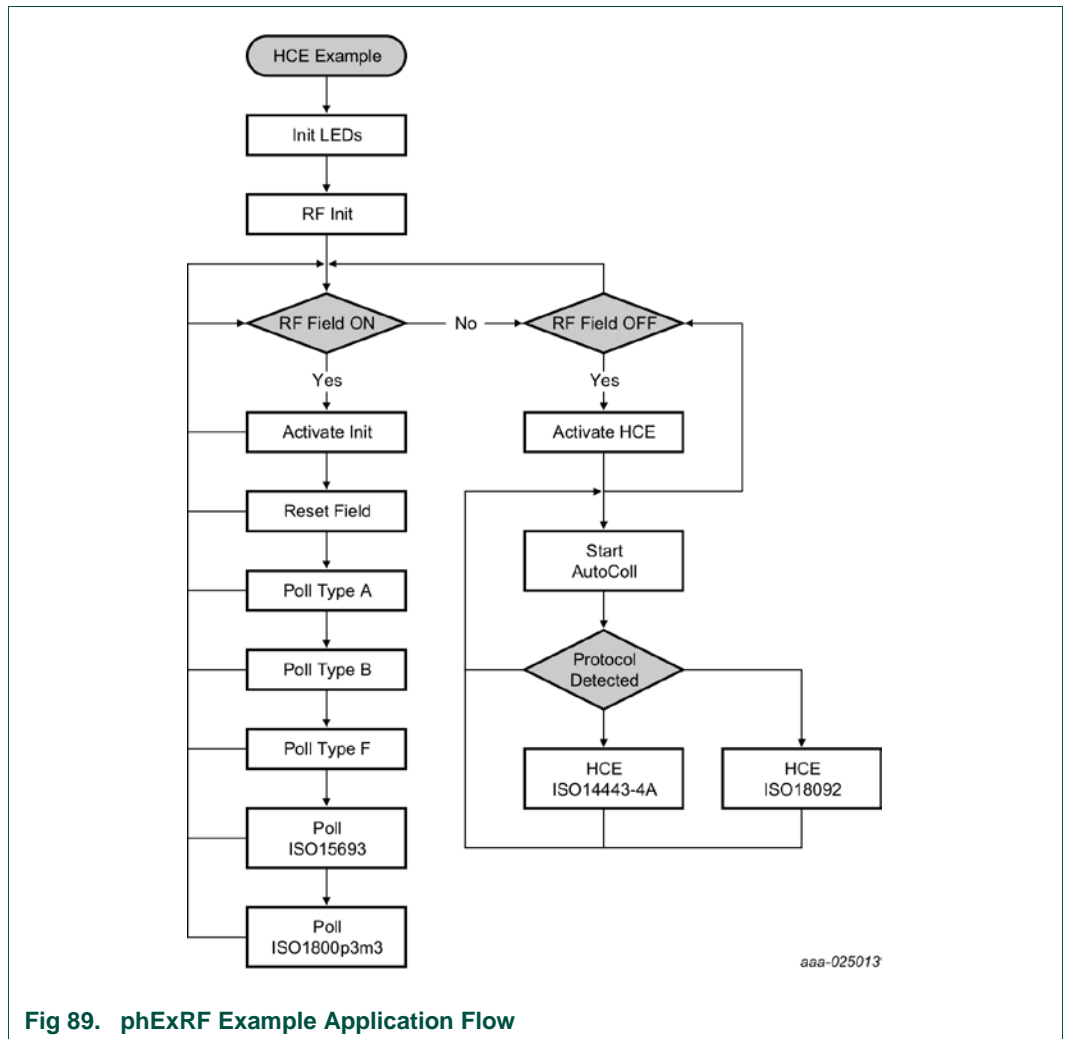


Fig 89. phExRF Example Application Flow

9.5 PN7462AU_ex_phExRFPoll example (CL functionality)

The “*phExRfPoll*” is an example which implements the polling for contactless cards without NFC Reader Library support for the optimization of the RF-signal. Through defines in *phExRfPoll.c* the specific technology to poll for can be selected.

By setting breakpoints RF registers can be modified to change the signal.

9.6 PN7462AU_ex_phExCT (CT functionality)

This example implements simple polling for contact cards. Application use only HAL APIs and perform same CTIF functionality as 0 “*phExMain*” example with the only difference that for the transaction static predefined packets are used and example is not using any library. *phExCt* performs activation of an EMVCo card. SELECT Master card APDU is sent depending on the protocol supported by the card and expects RAPDU 0x90 0x00.

The example is also capable of determining the non-EMVCo card or non-Master card. After the transactions, deactivation is performed. Also, this example demonstrates the non-RTOS integration of application with HALs.

9.6.1 Demo setup

This section describes in detail the setup and execution environment required for “*phExCT*” application.

The following devices are required to run the example:

1. PNEV7462B/C board
2. LPC-Link 2 board
3. Power adapter
4. Contact card ISO7816 compatible

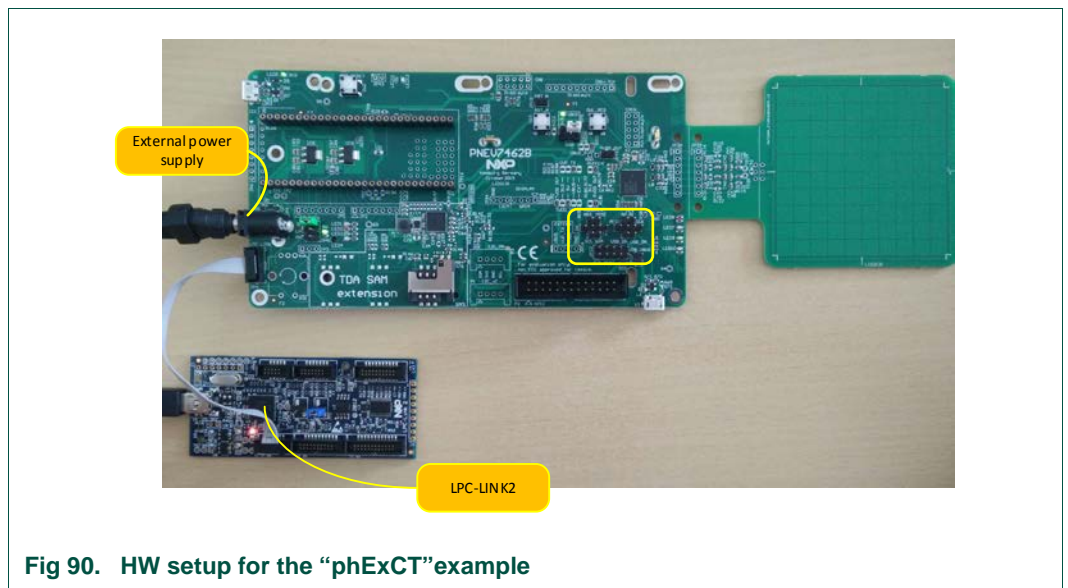


Fig 90. HW setup for the “phExCT”example

9.6.2 Features

phExCT example is covering next features:

Table 13. “phExRf” Example features

Feature	supported
CLIF Interface	No
CT Interface	Yes
NXP NFC Reader Library	No
CT Pal Library	No
FreeRTOS	No
Non RTOS	Yes
Standby mode	No
HIF/MIF Interface	No

9.6.3 Application Flow

The figure below demonstrates the application flow.

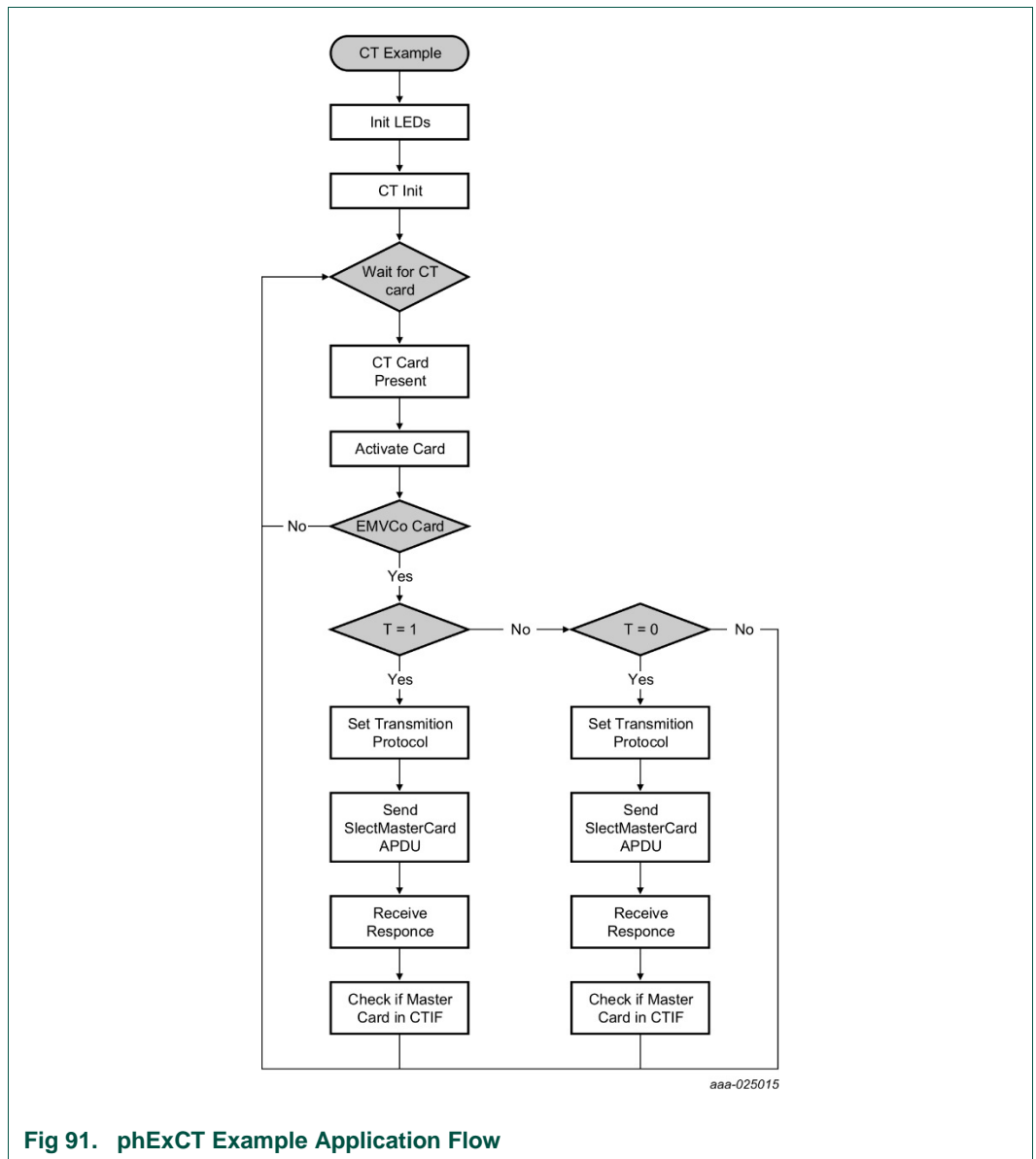


Fig 91. phExCT Example Application Flow

9.6.4 EMVCo activation

The example performs EMVCo activation and EMVCo ATR parsing. It also determines the protocol supported by the card.

9.6.5 SELECT master card

The example sends a SELECT master card APDU and expects a RAPDU 0x90 0x00.

9.7 PN7462AU_ex_phExCTEMVCo (CT functionality)

The “*phExCtEMVCo*” is an example which implements the CT functionality with CT Pal library support. Application use CT PAL library APIs and perform same CT functionality as 0 “*phExEMVCo*” example with the only difference that for the transaction static predefined packets are used. After the transactions, deactivation is performed. The example is also capable of determining the Non-EMVCo card.

Application does not implement CLIF and “Standby” functionality and it is not based on the FreeRTOS.

9.7.1 Demo setup

In this example, the same setup is used as in “phExEMVCo” example.

9.7.2 Features

“*phExCT*” example is covering next features:

Table 14. “phExRf” Example features

Feature	supported
CLIF Interface	No
CT Interface	Yes
NXP NFC Reader Library	No
CT Pal Library	Yes
FreeRTOS	No
Non RTOS	Yes
Standby mode	No
HIF/MIF Interface	No

9.7.3 EMVCo activation

The example performs an EMVCo activation and EMVCo ATR parsing. It also determines the protocol supported by the card and applies the protocol supported.

9.7.4 APDU transactions

The example is capable of sending select commands for nine pre-selected types of EMVCO cards after successful activation.

1. Master Card: Credit or Debit
2. Visa Card: Credit or Debit
3. Master Card: Maestro (debit card)
4. Master Card: Cirrus (inter-bank network)
5. Master Card: Maestro UK
6. Visa Card: Electron card
7. Visa Card: V PAY card
8. Visa Card: VISA Plus card
9. Amex Card

9.8 PN7462AU_ex_phExCT7816 (CT functionality)

The “PN7462AU_ex_phExCt7816” example implements the CT functionality with CT library support. Application use CT library APIs and perform same CT functionality as in “PN7462AU_ex_phExMain” example with the only difference that for the transaction static predefined packets are used. The example is built to work on a SCOSTA card. PN7462AU_ex_phExCT7816 demonstrates the CT Protocol Lib + HAL API's. After the transactions, deactivation is performed.

Application does not implement CLIF and “Standby” functionality and it is not based on the FreeRTOS.

9.8.1 Demo setup

In this example, the same setup is used as in “phExMain” example.

9.8.2 Features

“phExCT7816” example is covering next features:

Table 15. “phExCT7816” Example features

Feature	supported
CLIF Interface	No
CT Interface	Yes
NXP NFC Reader Library	No
CT Pal Library	Yes
FreeRTOS	No
Non RTOS	Yes
Standby mode	No
HIF/MIF Interface	No

9.8.3 ISO7816 activation

The example performs an ISO7816 activation and ISO7816 ATR parsing. Also, it determines the protocol supported by the card and applies the protocol supported.

9.8.4 APDU transactions

The following APDU's are sent after the activation of the card. If the card supports the following APDU's (e.g. SCOSTA), proper responses will come from the card.

1. Create MF
2. Create EF
3. Select EF
4. Write binary
5. Read binary
6. Delete EF

9.9 PN7462AU_ex_phExHif

This example demonstrates host interface loopback functionality for I2C, SPI, HSU and master interface functionality for I2CM, SPIM. Beside that it demonstrates secondary downloader functionality to EEPROM and FLASH memory over SPI Host interface. For Host Interface Frames “FREE Format” is used.

Application is implementing CT functionality with SPI Host interface and it is not based on the FreeRTOS.

Setup consist of two projects: HIF application executing on the PN7462AU and the LPC application executing on the LPC1769 board (LPCXpresso board for LPC1769 with CMSIS DAP probe [9]). LPC project is in the archive file <install directory>\NXP Semiconductors\PN7462AUPspPackageFull-vXX_XX_XX\PN7462AU Software\LpcFw_phExHif\LpcFw_ex_phExHif.zip.

9.9.1 Demo setup

This section describes in detail the setup and execution environment required for the “*phExHif*” application.

The following devices are required for setup:

1. PNEV7462B (PNEV7462C with HW modifications)
2. LPC1769 board
3. LPC-Link2 board
4. Power adapter

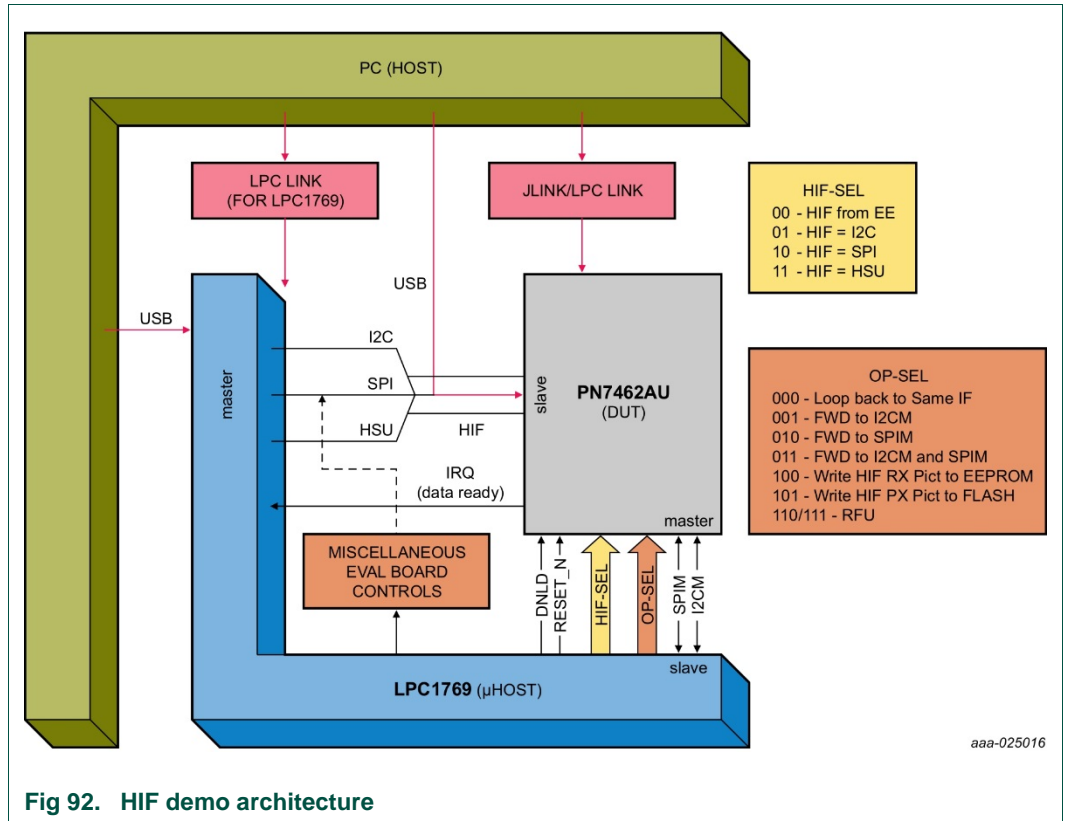
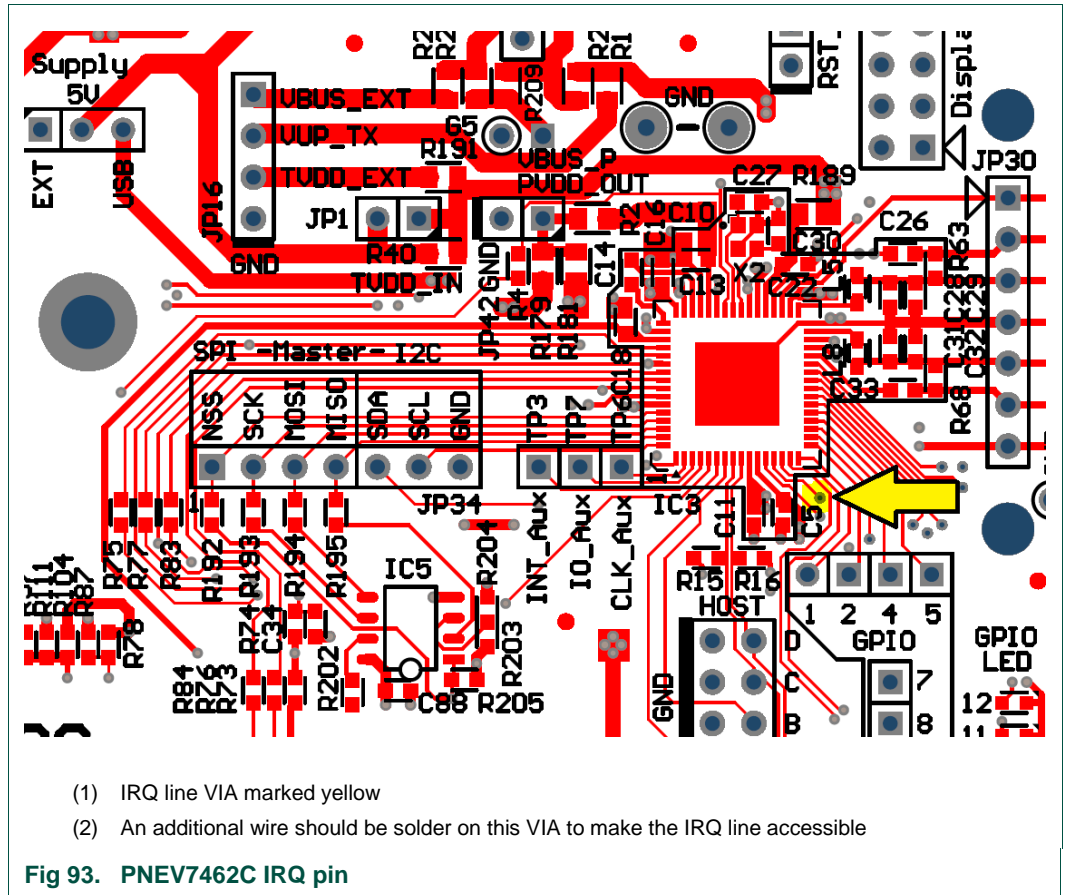


Fig 92. HIF demo architecture

The GPIOs of LPC and PN7462AU are used to determine which functionality of this example has to be executed (GPIO6,7,8). It is also used to select the host interface or master interface to be used (GPIO4,5). For each different functionality, a different MCUXpresso project is required for LPC1769 side while PN7462AU is running the phExHif MCUXpresso project.

The phExHIF indicates its readiness to LPC1769 through GPIO1 of PN7462AU connected to GPIO0.0 of LPC1769 (APP ready pin).

To run HIF example with PNEV7462C board, soldering an additional wire to access the PN7462AU IRQ line is needed. The IRQ line marked on the following picture:



9.9.2 Features

“phExHif” example is covering next features:

Table 16. “phExHif” Example features

Feature	supported
CLIF Interface	No
CT Interface	Yes
NXP NFC Reader Library	No
CT Pal Library	Yes
FreeRTOS	No
Non RTOS	Yes
Standby mode	No
HIF/MIF Interface	yes

9.9.3 HIF selection

Table 17. Host interface selection

GPIO5_PN7462AU ← GPIO2.0_LPC	GPIO4_PN7462 ← GPIO2.1_LPC	Chosen HIF
0	0	Invalid
0	1	I2C
1	0	SPI
1	1	HSU

9.9.4 Operation selection

The tabulated GPIO configuration selects the operation to be performed by examples shown in 0.

Operation on the packet received on HIF

GPIO8_PN7462AU ← GPIO2.2_LPC	GPIO7_PN7462AU ← GPIO2.3_LPC	GPIO6_PN7462AU ← GPIO2.4_LPC	Chosen HIF
0	0	0	Loopback on HIF
0	0	1	Forward HIF Rx Packet to I2CM Tx
0	1	0	Forward HIF Rx Packet to SPIM Tx
0	1	1	Forward HIF Rx Packet to SPIM & I2CM Tx Both
1	0	0	Program EEP with HIF Rx Packet
1	0	1	Program FLASH with HIF Rx Packet
1	1	0	Forward HIF Rx Packet to CT
1	1	1	RFU

Application ready PIN is connected with GPIO0.0_LPC on the LPC board.

Important guidelines:

- 1 → Logical HIGH as seen/set by the GPIO.
- 0 → Logical LOW as seen/set by the GPIO.
- Start PN7462AU Application before launching LPC Application
- Since both the projects are MCUXpresso IDE based, while updating FW image via the LPC Link, ensure that the image is downloaded to the correct platform.

9.9.5 EEPROM configuration dependencies

Values from the following EEPROM structures are used in this example:

- Boot: EEPROM
- Boot: FLASH
- Boot: CT
- Boot: GPIO
- HW: I2CM
- HW: SPIM
- HW: HIF

9.9.6 MCUXpresso projects provided for LPC1769

- LPCEXHif_HSU_LoopBack_App
- LPCEXHif_HSU_to_I2CM_SPIM_App
- LPCEXHif_I2C_Loopback_App
- LPCEXHif_I2C_to_SPIM_App
- LPCEXHif_SPI_CT_App
- LPCEXHif_SPI_LoopBack_App
- LPCEXHif_SPI_to_EEPROM_App
- LPCEXHif_SPI_to_FLASH_App
- LPCEXHif_SPI_to_I2CM_App
- Supporting libraries
 - PN640_lpc17xx_lib, CMSISv2p00_LPC17xx

9.10 PN7462AU_ex_phExPos

POS use-case demo application shows how to use PN7462AU in combination with second application hosted on the μ Controller. PNEV7462B board is supported (PNEV7462C is supported with HW modifications as described in 9.9.1). In this example LPC1769 μ C is used and connection is established through SPI host interface. POS use-case demonstrate the Pay pass transaction on the contact and contactless frontend.

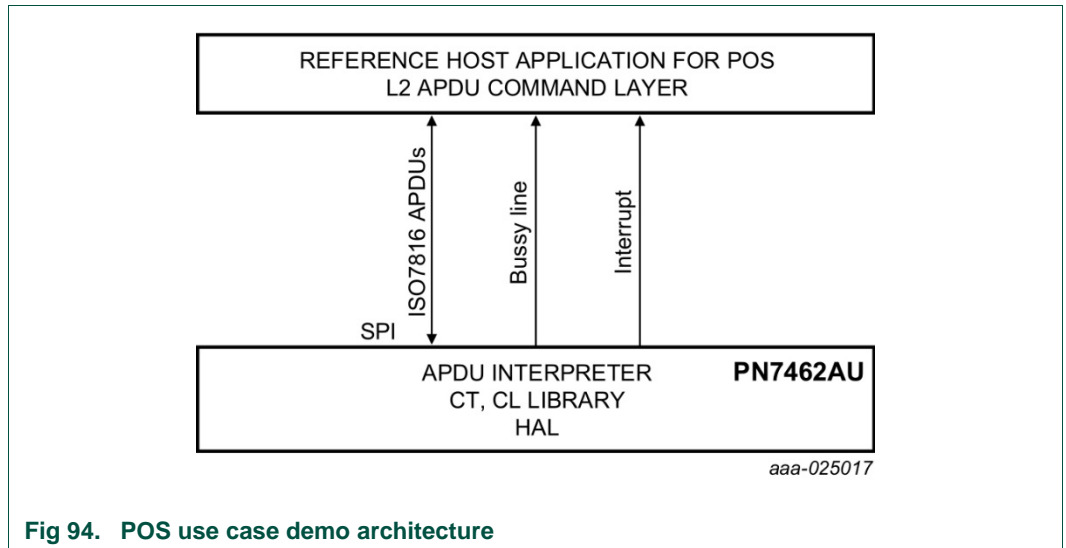


Fig 94. POS use case demo architecture

The POS demo architecture is split into application layer (L2) and low level EMVCo compliant layer L1 which is hosted on the PN7462AU. The application layer L2 commands are simulated in reference microcontroller board (LPC1769) and L1 layer components are placed in PN7462AU.

The application APDU commands (L2) are communicated to PN7462AU through SPI host interface. PN7462AU GPIO pin is used to synchronize command/response between LPC1769 and PN7462AU.

Interrupt pin is used to notify valid ISO 14443-4 card to LPC1769.

Note
Detailed description and how to use example is described in “POS Use Case Demo Setup Manual”.

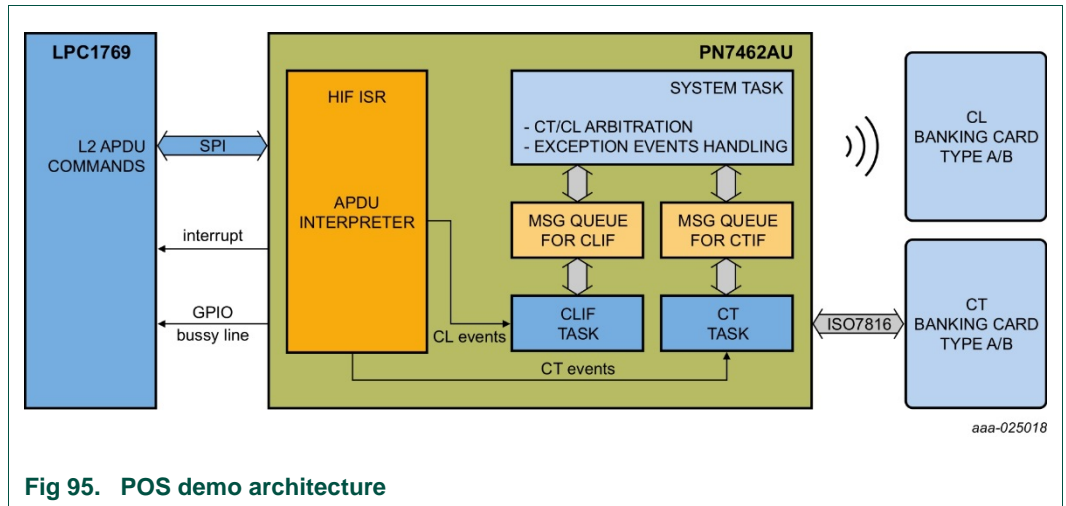


Fig 95. POS demo architecture

9.11 PN7462AU_ex_phExCcid

The PC USB reader application demonstrate how to use the PN7462AU customer demo board as a CCID reader and shows how connected PN7462AU via USB interface to a PC and provide the CCID protocol implementation on the top of the physical link.

The PC USB reader example is hosted on the PN7462AU and can be tested with any PC/SC application running on the PC with Windows OS.

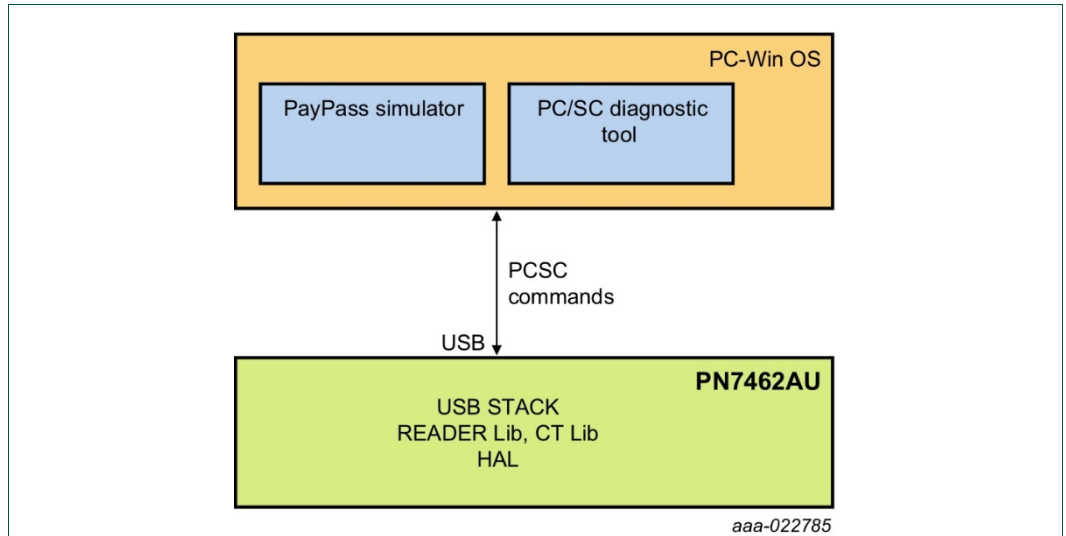


Fig 96. PC USB reader example block diagram

The USB stack and CCID class is implemented in the PN7462AU. The default CCID driver present in PC with Windows OS is used for operation.

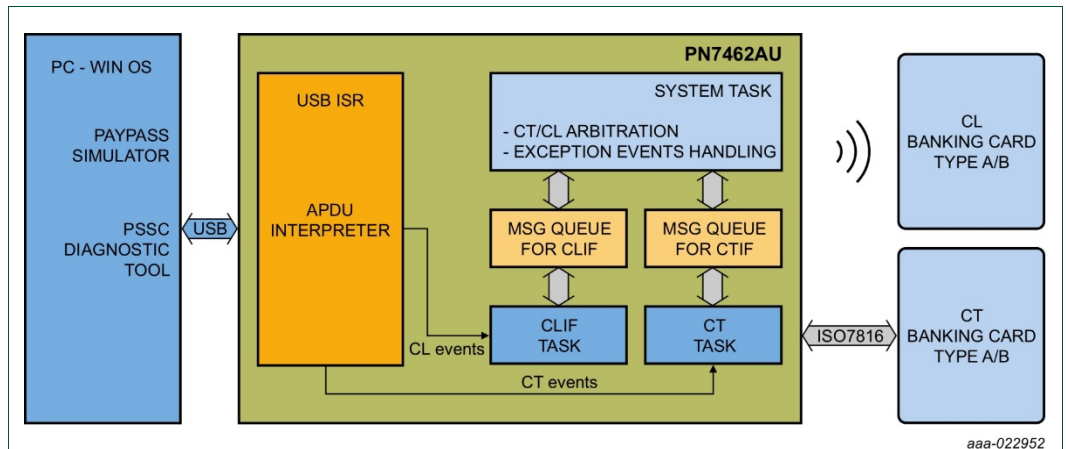


Fig 97. Example architecture

Note:
Detailed description and how to use example is described in "PC Reader Demo Setup Manual".

9.12 PN7462AU_ex_phSystemServices

This example application demonstrates system services invocation. The PN7462AU provides ROM services that are accessible via flash APIs, also described in /PN7462AU/phROMIntf/phhalSysSer/inc/phhalSysSer.h and with more detailed description in API documentation.

This application requires user interface for performing the operations so it is needed to use debug mode. Some of the featured system service commands could be irreversible or reversible depending on the application mode configured by:

```
#define ENABLE_IR_REVERSIBLE_COMMANDS 0 //1
```

If the macro ENABLE_IR_REVERSIBLE_COMMANDS is defined to 0, example will not run irreversible commands, if defined to 1 example will run irreversible commands but user confirmation is needed.

Table 18. PN7462AU_ex_phSystemServices features

Feature	description
SECROW Lock	The HW SecRow contains the SWD access bits, code write-protection bits and RSTN pin behavior bits. For blocking any further writes to SecRow, the phhalSysSer_OTP_SetSecrowLock() is used. It prevents further usage of phhalSysSer_OTP_SecrowConfig() function.
Code write protection	It is required to lock flash memory from write at HW level. It is locked possibly at a stage when secure secondary upgrade is not planned for the remaining lifecycle of the product. For such use cases, phhalSysSer_OTP_SecrowConfig() is used to lock flash memory from any further write. Any flash programming after locking the flash results in hard fault. Once SECROW functionality is locked, this feature cannot be used anymore.
Block SWD debugging	This command disables PN7462AU SWD debug interface. When the PN7462AU IC is delivered from production to user, the default SWD access level enables the user to view and debug user flash memory, user EEPROM memory, user RAM memory, and peripheral registers. The access level can be irreversibly changed to prevent view/debug access to any memory region or peripheral registers, before deploying the IC to the field. phhalSysSer_OTP_SecrowConfig() can be used to lock the SWD against any further access. Once SECROW functionality is locked, this feature cannot be used anymore.
Disable primary download	Command is used to irreversibly disable the ROM primary download feature. On subsequent boots, the ROM boot never enters ROM primary download mode, even if DWL_REQ pin and USB_VBUS pin is high. This feature is typically used after development and flashing of secondary downloader in the flash memory, for subsequent code/data upgrades.
Update Product ID	USB Product ID - PID update
Update Vendor ID	USB vendor ID - VID update
Perform In Application Programming	Application asks for FLASH page number. Page is 128bytes long, for 158kb of the flash memory, the page number is in range 0-1263. The selected flash page is updated from user programmable values.
Set internal PVDD	PVDD is pad voltage reference and supply of the host interface (HSU, USB, I2C, and SPI) and the GPIOs. This command sets PVDD configuration to internal.
Get ROM version	Commands returns current ROM firmware version

Note:

For irreversible commands: Secrow lock, code write protection, block SWD debugging and disable primary download the undo is not possible!

9.13 PN7462AU_ex_phExVCom

This example application features TypeA card detection, RF field control and communication with the PC host over USB CDC interface (VCOM).

9.13.1 Demo setup

Board is connected to the PC host via USB interface. USB micro socket X3 needs to be connected to the PC's USB port. The proper USB host interface configuration on the board is depicted in 3.2.1.1 (not needed for PNEV7462C). Application outputs debug traces to and receives commands from the terminal emulation application running on the PC host. Serial port parameters are 9600/8/1/N/1.

9.13.2 Command sets

Commands are entered by the terminal emulation program. Each command is one-character long.

- a) T command (character T), example application enters Type A detection mode and the terminal output is as follows:

```
Poll command received
Entering TypeA Polling mode..
Type A Polling
Type A Polling
Card UID=0424566AF13B80
Card UID=0424566AF13B80
Card UID=0424566AF13B80
Type A Polling
Type A Polling
LED8-10 lit in circular pattern.
```

- b) O command (character O), example application turns RF field permanently ON, the corresponding output on the terminal console is:

```
RF ON command received
LED9 (Green) and LED10 (Blue) lit.
```

- c) F command (character F), example application turns RF field permanently OFF, output on the terminal console is:

```
RF OFF command received
LED7 (Red) and LED8 (Yellow) lit.
```

9.14 PN7462AU_ex_phExDoorAccess

The example application demonstrates card detection, card authentication and HSU interface communication with the PC host. The application is running a NFC polling loop and goes to standby mode after each polling loop in case no CL card is detected by the RF field of the reader. The polling loop is implemented for Type A, B, F, ISO15693 and ISO 1800-P3M3. The application prints out the detected type of the card and UID if

available. In case the NFC device is detected, the application sends a NDEF message containing the NXP webpage address.

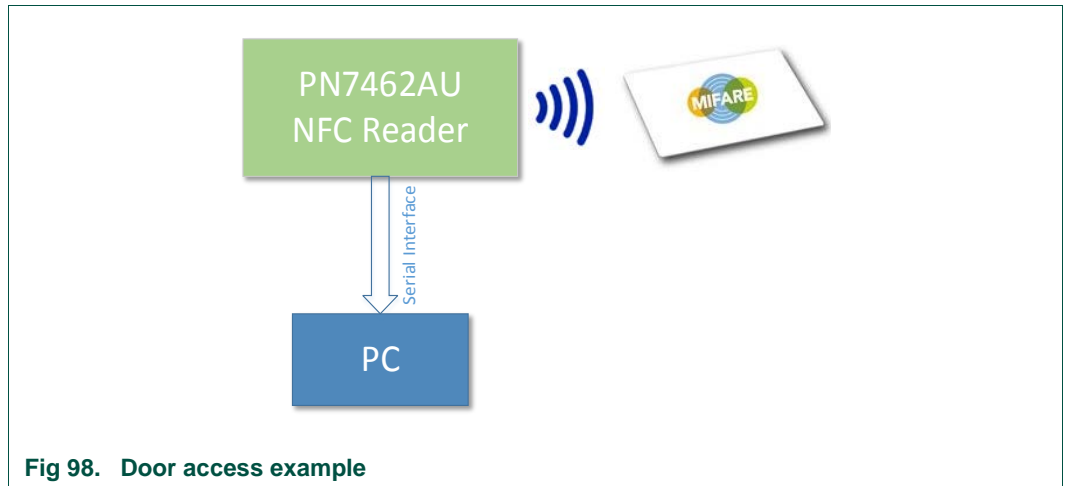


Fig 98. Door access example

After each polling loop the application goes to standby mode and remains for 500ms. A timer is used as a wakeup source from standby. This process continues until a card is detected by the RF field of the reader. If a card is detected, the card type with its UID is sent via HSU and will be printed on the PC console.

In case a MIFARE Classic card is detected, application tries to authenticate the card using the default MIFARE key. If the authentication is successful a block of data is read from the card. The type of the card, UID and data are sent via HSU and printed on the PC console.

P2P functionality is integrated. When a NFC enabled phone is detected from the RF field as an active or passive target the LLCP SNEP will be activated and NDEF message will be sent to the mobile device.

If LPCD (Low Power Card Detection) is enabled, the reader checks during the wakeup time the presence of a card and enters the card detected mode when a card is present & repeats the cycle. If no card is present it goes back to standby mode. LPCD is enabled by default.

Note:

Detailed description and how to use example is described in "Door Access User Manual".

9.15 PN7462AU_ex_phExDoorAccessEC

This example is related to the 9.14 but in this version the application is using a MIFARE DESFire EV1 card for the authentication, data exchange is done over contactless interface and software key store or SAM (Secure Access Module) key store is used for storing the authentication key. By default, the software key store is enabled. The user can use the SAM key store by enabling corresponding. SAM is a key storage element and it should be inserted in the CT main.

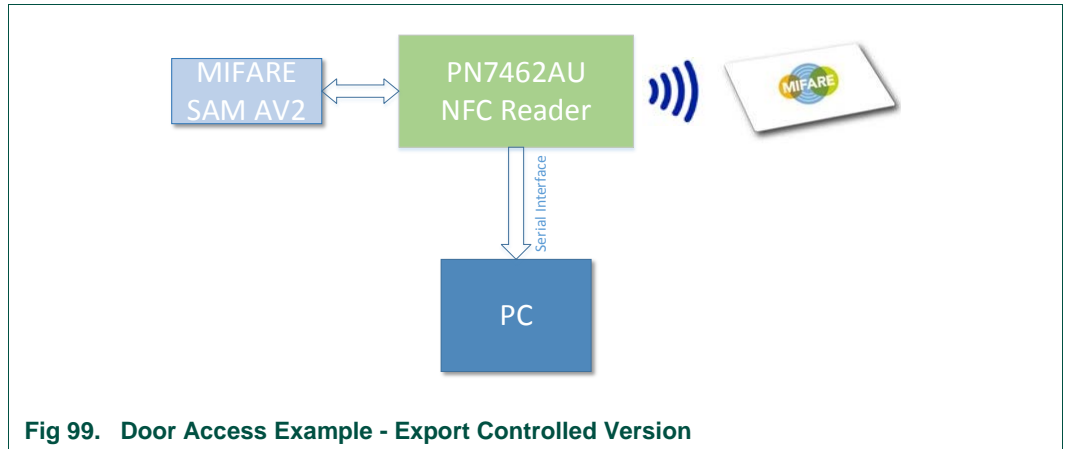


Fig 99. Door Access Example - Export Controlled Version

On power-up, NFC Reader starts polling for (PICC) cards (Type A, B or F, ISO15693, ISO18000-3M3) and if no card is present, the reader goes to standby mode. Timer is used as a wakeup source from standby - timer periodically every 500 ms. This process continues until a card is detected by the RF field of the reader. If a card is detected, the card type with its UID is sent via HSU & this is printed on the PC console

If a MIFARE DESFire EV1 card is detected, the reader tries to select a pre-written custom application on the card. It tries to authenticate the card using the key stored in SAM. If SAM is not present, then software keys can be used for authentication. If authentication is successful a block of data will be read from the card.

Note:
 Detailed description and how to use example is described in “Door Access User Manual”.
 This example is available only with PSP package from NXP DocStore [8].

9.16 PN7462AU_ex_phExNFCCcid

The NFC CCID is versatile demo application that features:

- Card detection for TypeA, TypeB, Felica, ISO15693, ISO18000p3m3 technologies
- Support for proprietary commands for MIFARE Classic, MIFARE Ultralight and MIFARE Ultralight C for read and write.
- CCID USB device protocol implementation. Supports the Suspend Resume and Wakeup Feature.
- Communication of the CLIF information with the PC using a PCSC application.
- P2P passive initiator mode. Supports LLCP Initiator Mode for sending the NDEF message to the mobile.

Demo setup for this application is the same as described in 9.10

9.17 PN7462AU_ex_phExMfCrypto

The PN7462AU_ex_phExMfCrypto demo application includes both CL and CT library components. Example is based on the Discovery Loop alongside Crypto layers and it is intended to evaluate MIFARE DESFire card functionalities. Application performs following operations:

1. Application and Data and Value File creation inside the card.

2. AES authentication of the application.
3. Changing of the key.
4. Enciphered Read of Value File and Plain Read of Data File.
5. Enciphered Write of Value File and Plain write of Data File.
6. Supports Different Keys for Read and write.
7. CT part does not include any crypto example for CT but gives scope to include the CT example later

Example application trace in case when the application file is already created:

```
Entering Polling mode..
Type A Card - ISO14443-4A - UID : Len=7
    04 24 81 5A 47 21 80
Master Application of Desfire Card Selected,
Application A515A5 selected proceed for File Operations
APP Created By:
NxpNfcRdLib_v4.030.00.011627_2016
Value : Len=4
    0D 00 00 00
Operation successful
Please remove the card.
```

Note:

This example is available only with PSP package from NXP DocStore [8].

9.18 PN7462AU_ex_phExRfPCDA

This example demonstrates simple low-level API usage to perform detection, anti-collision, activation, authentication and R/W operation on the Type A cards according to ISO14443 standard.

Application is using low level RF interface HAL implementation in flash. There is limitation to only one card at the time. Supported TypeA cards are Type1 TOPAZ, MIFARE Ultralight, MIFARE Classic, MIFARE DESFire cards will pass through activation and anti-collision and. In the case of MIFARE Classic card also authentication with default key is demonstrated. In the case of MIFARE DESFire card L4 activation is demonstrated.

Application trace in case of MIFARE DESFire card is as follows:

```
Polling Start
Found TypeA
    DesFire R/W PASS : =106
    DesFire R/W PASS : =212
    DesFire R/W PASS : =424
```

10. Abbreviations

Table 19. Abbreviations

Acronym	Description
APDU	Application Protocol Data Unit
API	Application Programming Interface
CLIF	Contactless Interface
CRC	Cyclic Redundancy Code
CTIF	Contact Interface
EEPROM	Electrically Erasable Programmable Read Only Memory
FW	Firmware
GPIO	General-Purpose Input Output
HAL	Hardware Abstraction Layer
HSU	High Speed UART
HW	Hardware
LDO	Low Drop Out
MSD	Mass Storage Device
NFC	Near Field Communication
P2P	Peer to Peer
PCB	Printed Circuit Board
PAL	Protocol Abstraction Layer
PMU	Power Management Unit
PSP	Product Support Package
RF	Radio Frequency
ROM	Read Only Memory
RTOS	Real Time Operating System
SAM	Secure Access Module
SDA	Serial Data Signal
SPI	Serial Peripheral Interface
SPIM	SPI Master interface
SRAM	Static Random Access Memory
SW	Software
SWD	Serial Wire Debug
TXLDO	Transmitter Low Drop Out
USB	Universal Serial Bus

11. Annex A Rx Matrix XML input file examples

11.1 Type A example without AWG control

```
<?xml version="1.0" encoding="UTF-8" standalone="no" ?>
<!DOCTYPE Test SYSTEM "NNC_RxMatrix_Pn7462AU.dtd">
<!-- This is an example of a TypeA test script for Pn7462AU where we access bit
fields of registers in a range-->
<Test
  numberMaxOfPasses="10"
  skipAfterFailures="4"
  delayMS="0"
  fieldReset="YES"
  protocolType="RM_A_106"
>
  <SendData shortFrame="YES" rxCRC="NO" txCRC="NO" timeOutInUs="145000">
    0x26
  </SendData>
  <ReadData invertedMaskBytes="0x00, 0x00">
    0x44, 0x03
  </ReadData>

  <Parameter name="Rx Gain" minValue="0x01" maxValue="0x03"
registerAddress="0x40004110" bitPosition="0" bitLength="2" />
  <Parameter name="Rx HPCF" minValue="0x00" maxValue="0x03"
registerAddress="0x40004110" bitPosition="2" bitLength="2" />
  <Parameter name="MinLevel" minValue="0x00" maxValue="0x03"
registerAddress="0x400040b4" bitPosition="12" bitLength="4" />
</Test>
```

11.2 Type B example with AWG control

```
<?xml version="1.0" encoding="UTF-8" standalone="no" ?>
<!DOCTYPE Test SYSTEM "NNC_RxMatrix_Pn7462AU.dtd">
<!-- This is an example of a TypeB test script for Pn7462AU where we access bit
fields of registers in a range-->
<Test
  numberMaxOfPasses="10"
  skipAfterFailures="4"
  delayMS="0"
  fieldReset="YES"
  protocolType="RM_B_106"
>
  <SendData shortFrame="NO" rxCRC="NO" txCRC="NO" timeOutInUs="200000">
    0x05, 0x00, 0x00
  </SendData>
  <ReadData invertedMaskBytes="0x00, 0xFF, 0xFF, 0xFF, 0xFF, 0x00, 0x00,
0x00, 0x00, 0x00, 0x00, 0x00">
    0x50, 0x0F, 0x69, 0x14, 0x49, 0x1C, 0x2D, 0x94, 0x11, 0xF7, 0x71, 0x85
  </ReadData>
  <Parameter name="Rx Gain" minValue="0x01" maxValue="0x03"
registerAddress="0x40004110" bitPosition="0" bitLength="2" />
  <Parameter name="Rx HPCF" minValue="0x00" maxValue="0x03"
registerAddress="0x40004110" bitPosition="2" bitLength="2" />
  <Parameter name="MinLevel" minValue="0x00" maxValue="0x03"
registerAddress="0x400040b4" bitPosition="12" bitLength="4" />
</Test>
```

12. References

- [1] OM27462CDK NFC controller development kit
<https://www.nxp.com/products/:OM27462CDK>
- [2] Om27462CDKP NFC controller development kit
<https://www.nxp.com/products/:OM27462CDKP>
- [3] PN7462 family Datasheet <https://www.nxp.com/docs/en/data-sheet/PN7462.pdf>
- [4] MCUXpresso webpage <http://mcuxpresso.nxp.com/>
- [5] PN7462 family Software User's Manual <https://www.nxp.com/docs/en/user-guide/UM10913.pdf>
- [6] NFC-COCKPIT: NFC Cockpit configuration tool for NFC ICs
<http://www.nxp.com/products/:NFC-COCKPIT>
- [7] AN11706 PN7462 Antenna design guide
<https://www.nxp.com/docs/en/application-note/AN11706.pdf>
- [8] NXP DocStore <https://www.docstore.nxp.com>
- [9] LPCXpresso board for LPC1769 with CMSIS DAP probe
<http://www.nxp.com/products/:OM13085>
- [10] Dynamic Power Control <https://www.nxp.com/docs/en/application-note/AN11742.pdf>
- [11] LPC-Link2 <https://www.nxp.com/products/OM13054>
- [12] Technical Video Tutorials: <https://www.nxp.com/products/identification-and-security/nfc/nfc-reader-ics/high-performance-multi-protocol-full-nfc-forum-compliant-front-end-optimized-for-pos-terminals:PN5180>
- [13] Keysight 33500B: <https://www.keysight.com>
- [14] NI VISA driver: <http://www.ni.com/download/ni-visa-17.0/6646/en/>

13. Legal information

13.1 Definitions

Draft — The document is a draft version only. The content is still under internal review and subject to formal approval, which may result in modifications or additions. NXP Semiconductors does not give any representations or warranties as to the accuracy or completeness of information included herein and shall have no liability for the consequences of use of such information.

13.2 Disclaimers

Limited warranty and liability — Information in this document is believed to be accurate and reliable. However, NXP Semiconductors does not give any representations or warranties, expressed or implied, as to the accuracy or completeness of such information and shall have no liability for the consequences of use of such information.

In no event shall NXP Semiconductors be liable for any indirect, incidental, punitive, special or consequential damages (including - without limitation - lost profits, lost savings, business interruption, costs related to the removal or replacement of any products or rework charges) whether or not such damages are based on tort (including negligence), warranty, breach of contract or any other legal theory.

Notwithstanding any damages that customer might incur for any reason whatsoever, NXP Semiconductors' aggregate and cumulative liability towards customer for the products described herein shall be limited in accordance with the Terms and conditions of commercial sale of NXP Semiconductors.

Right to make changes — NXP Semiconductors reserves the right to make changes to information published in this document, including without limitation specifications and product descriptions, at any time and without notice. This document supersedes and replaces all information supplied prior to the publication hereof.

Suitability for use — NXP Semiconductors products are not designed, authorized or warranted to be suitable for use in life support, life-critical or safety-critical systems or equipment, nor in applications where failure or malfunction of an NXP Semiconductors product can reasonably be expected to result in personal injury, death or severe property or environmental damage. NXP Semiconductors accepts no liability for inclusion and/or use of NXP Semiconductors products in such equipment or applications and therefore such inclusion and/or use is at the customer's own risk.

Applications — Applications that are described herein for any of these products are for illustrative purposes only. NXP Semiconductors makes no representation or warranty that such applications will be suitable for the specified use without further testing or modification.

Customers are responsible for the design and operation of their applications and products using NXP Semiconductors products, and NXP Semiconductors accepts no liability for any assistance with applications or customer product design. It is customer's sole responsibility to determine whether the NXP Semiconductors product is suitable and fit for the customer's applications and products planned, as well as for the planned application and use of customer's third party customer(s). Customers should provide appropriate design and operating safeguards to minimize the risks associated with their applications and products.

NXP Semiconductors does not accept any liability related to any default, damage, costs or problem which is based on any weakness or default in the customer's applications or products, or the application or use by customer's third party customer(s). Customer is responsible for doing all necessary testing for the customer's applications and products using NXP Semiconductors products in order to avoid a default of the applications and the products or of the application or use by customer's third party customer(s). NXP does not accept any liability in this respect.

Export control — This document as well as the item(s) described herein may be subject to export control regulations. Export might require a prior authorization from competent authorities.

Evaluation products — This product is provided on an "as is" and "with all faults" basis for evaluation purposes only. NXP Semiconductors, its affiliates and their suppliers expressly disclaim all warranties, whether express, implied or statutory, including but not limited to the implied warranties of non-infringement, merchantability and fitness for a particular purpose. The entire risk as to the quality, or arising out of the use or performance, of this product remains with customer.

In no event shall NXP Semiconductors, its affiliates or their suppliers be liable to customer for any special, indirect, consequential, punitive or incidental damages (including without limitation damages for loss of business, business interruption, loss of use, loss of data or information, and the like) arising out of the use of or inability to use the product, whether or not based on tort (including negligence), strict liability, breach of contract, breach of warranty or any other theory, even if advised of the possibility of such damages.

Notwithstanding any damages that customer might incur for any reason whatsoever (including without limitation, all damages referenced above and all direct or general damages), the entire liability of NXP Semiconductors, its affiliates and their suppliers and customer's exclusive remedy for all of the foregoing shall be limited to actual damages incurred by customer based on reasonable reliance up to the greater of the amount actually paid by customer for the product or five dollars (US\$5.00). The foregoing limitations, exclusions and disclaimers shall apply to the maximum extent permitted by applicable law, even if any remedy fails of its essential purpose.

13.3 Licenses

Purchase of NXP ICs with NFC technology

Purchase of an NXP Semiconductors IC that complies with one of the Near Field Communication (NFC) standards ISO/IEC 18092 and ISO/IEC 21481 does not convey an implied license under any patent right infringed by implementation of any of those standards. Purchase of NXP Semiconductors IC does not include a license to any NXP patent (or other IP right) covering combinations of those products with other products, whether hardware or software.

Purchase of NXP ICs with ISO 14443 type B functionality



This NXP Semiconductors IC is ISO/IEC 14443 Type B software enabled and is licensed under Innovatron's Contactless Card patents license for ISO/IEC 14443 B.

The license includes the right to use the IC in systems and/or end-user equipment.

RATP/Innovatron Technology

13.4 Trademarks

Notice: All referenced brands, product names, service names and trademarks are property of their respective owners.

MIFARE — is a trademark of NXP B.V.

MIFARE Ultralight — is a trademark of NXP B.V.

DESFire — is a trademark of NXP B.V.

I²C-bus logo — is a trademark of NXP B.V.

ICODE and I²CODE — are trademarks of NXP B.V.

14. List of figures

Fig 1.	OM27462CDK Development Kit	3	Fig 37.	PN7462 family IC direct EEPROM access	36
Fig 2.	OM27462CDKP Development Kit	4	Fig 38.	PN7462 family IC analog and digital test signals	37
Fig 3.	Properly enumerated USB CCID reader	5	Fig 39.	PN7462 family IC DPC	38
Fig 4.	PNEV7462B board	6	Fig 40.	PN7462 family IC AWC	39
Fig 5.	PNEV7462B supply	7	Fig 41.	Basic Rx Matrix Test set up	41
Fig 6.	PNEV7462B board schematic (PN7462 part) ...	8	Fig 42.	Enhanced Rx Matrix Test setup with AWG	42
Fig 7.	PNEV7462B contact slot interface	9	Fig 43.	NI VISA installation	44
Fig 8.	PNEV7462B TDA8026 part schematics	10	Fig 44.	AWG setup for type A @ 106	45
Fig 9.	Default 65x65 antenna matching diagram - symmetrical	12	Fig 45.	AWG setup for type B @ 106	47
Fig 10.	Matching circuit principle	12	Fig 46.	Rx Matrix test run example with AWG	48
Fig 11.	Antenna and matching	13	Fig 47.	Rx Matrix Result example with AWG	49
Fig 12.	PNEV746B V2.1	14	Fig 48.	PN7462 family LPCD	49
Fig 13.	PNEV7462B V2.2	15	Fig 49.	PN7462 family FW tab with EMVCo Loopback function	50
Fig 14.	Board Power settings	16	Fig 50.	Static overview of PN7462 family firmware	51
Fig 15.	VBUS supply jumper setting	16	Fig 51.	Architecture diagram	52
Fig 16.	Supply indicator	17	Fig 52.	Contactless architecture view	54
Fig 17.	Default supply connection of the PN7462AU using all blocks	18	Fig 53.	Contact architecture view	55
Fig 18.	Host Interface selection – USB mode	19	Fig 54.	Project initialization order	55
Fig 19.	Host Interface selection - I2C mode	20	Fig 55.	FreeRTOS usage diagram	56
Fig 20.	Host Interface selection - SPI	20	Fig 56.	Overview of PN7462AU development environment	57
Fig 21.	Host Interface selection - HSU	21	Fig 57.	MCUXpresso installation	58
Fig 22.	JTAG/SWD debug probe connector	21	Fig 58.	Windows security dialog	59
Fig 23.	PNEV7462C board	22	Fig 59.	MCUXpresso IDE	59
Fig 24.	PNEV7462C supply	23	Fig 60.	Importing project to MCUXpresso IDE (1)	60
Fig 25.	PNEV7462C board schematic (PN7462AU block)	24	Fig 61.	Importing project to MCUXpresso IDE (2)	61
Fig 26.	PNEV7462C contact slot interface	24	Fig 62.	Select project	62
Fig 27.	Default 65x65 antenna matching diagram – symmetrical	26	Fig 63.	Project Workspace with all examples	63
Fig 28.	Matching circuit principle	26	Fig 64.	Building a project	64
Fig 29.	Antenna and matching	27	Fig 65.	Build output - flash binary file	64
Fig 30.	PNEV7462C board power source configuration	29	Fig 66.	Successful build	65
Fig 31.	PN7462AU VBUS configuration	29	Fig 67.	Connecting LPC Link2 to the PNEV7462B board	66
Fig 32.	Power supply status LEDs	30	Fig 68.	Launch debug session	67
Fig 33.	Default power supply setting	31	Fig 69.	Selecting debug probe	67
Fig 34.	LPC-Link2 debug probe connected to the PNEV7462C	32	Fig 70.	Project debugging	68
Fig 35.	NFC Cockpit: activation of a MIFARE DESFire EV1 card + Get Application ID	34	Fig 71.	Inserting breakpoints	69
Fig 36.	PN7462 NFC cockpit register access	35	Fig 72.	Debug view and debugger traces	70
			Fig 73.	Peripheral view	71
			Fig 74.	PN7462AU EECTRL peripheral view	72
			Fig 75.	HW setup for the flashing via LPC-Link 2	73

Fig 76.	Starting flash tool in MCUXpresso	73
Fig 77.	Build output - flash binary file	74
Fig 78.	Program flash report	74
Fig 79.	PN7462AU as USB mass storage device	75
Fig 80.	PN7462AU IC detected as USB mass storage device for flash/ EEPROM upgrade	75
Fig 81.	LEDs status.....	77
Fig 82.	HW setup for the main example.....	79
Fig 83.	phExMain standby flow	81
Fig 84.	phExMain non standby flow	82
Fig 85.	PN7462AU phExMain sequence diagram for standby scenario with RTOS.....	87
Fig 86.	PN7462AU phExMain sequence diagram for non-standby scenario with RTOS	88
Fig 87.	HW Setup for the "phExEMVCo"example	89
Fig 88.	HW setup for the "phExRF"example	91
Fig 89.	phExRF Example Application Flow	92
Fig 90.	HW setup for the "phExCT"example	93
Fig 91.	phExCT Example Application Flow	95
Fig 92.	HIF demo architecture	99
Fig 93.	PNEV7462C IRQ pin	100
Fig 94.	POS use case demo architecture	103
Fig 95.	POS demo architecture.....	104
Fig 96.	PC USB reader example block diagram	105
Fig 97.	Example architecture	105
Fig 98.	Door access example	108
Fig 99.	Door Access Example - Export Controlled Version.....	109

15. List of tables

Table 1.	Assembled matching components	13
Table 2.	Supply options	18
Table 3.	PN7462 HIF pins.....	19
Table 1.	Assembled matching components	27
Table 3.	Test input	42
Table 4.	Send Data input	43
Table 5.	Read Data input.....	43
Table 6.	Development environment	57
Table 7.	Files found in USB mass storage.....	76
Table 8.	Code and data protection level	76
Table 9.	Status of read write operating code	76
Table 10.	“phExMain” Example features.....	79
Table 11.	“phExEMVCo” Example features	89
Table 12.	“phExRf” Example features	91
Table 13.	“phExRf” Example features	94
Table 14.	“phExRf” Example features	96
Table 15.	“phExCT7816” Example features.....	97
Table 16.	“phExHif” Example features	100
Table 17.	Host interface selection.....	101
Table 18.	PN7462AU_ex_phSystemServices features.	106
Table 19.	Abbreviations	111

16. Contents

1.	Getting started.....	3		
1.1	Introduction to PN7462 NFC Controller Development Kits	3		
1.1.1	OM27462CDK.....	3		
1.1.2	OM27462CDKP	4		
2.	Hardware overview of the PNEV7462B board...6			
2.1	PNEV7462B concept	6		
2.2	PNEV7462B board.....	6		
2.2.1	Power circuitry.....	7		
2.2.2	PN7462AU block.....	7		
2.2.3	LPCXpresso block.....	8		
2.2.4	Smartcard interface.....	9		
2.2.5	TDA SAM extension interfaces	9		
2.2.6	Antenna coil and related matching circuit.....	11		
2.2.6.1	Default board antenna.....	11		
2.2.6.2	PCB for individual antenna matching	14		
2.3	PNEV7462B board available versions	14		
2.3.1	PNEV7462B V2.1.....	14		
2.3.2	PNEV7462B V2.2.....	15		
2.3.2.1	Design changes V2.1 to V2.2:.....	15		
3.	Configuration of the PNEV7462B board.....	16		
3.1	Board power settings	16		
3.1.1	PN7462AU supply options	16		
3.1.2	Power supply status LED	17		
3.1.3	Supply options for PVDD, VUP_TX and TVDD	17		
3.2	Host interface configuration.....	19		
3.2.1.1	USB Host Interface configuration.....	19		
3.2.1.2	I2C Host Interface configuration.....	19		
3.2.1.3	SPI Host Interface configuration.....	20		
3.2.1.4	HSUART Interface configuration	21		
3.2.2	Debug interface.....	21		
4.	Hardware overview of the PNEV7462C board.22			
4.1	PNEV7462C board concept	22		
4.2	PNEV7462C board overview.....	22		
4.2.1	Power circuitry.....	23		
4.2.2	PN7462AU block.....	23		
4.2.3	Smartcard interface	24		
4.2.4	Antenna coil and related matching circuit.....	25		
4.2.4.1	Default board antenna.....	25		
4.2.4.2	PCB for individual antenna matching	28		
5.	Configuration of the PNEV7462C	29		
5.1	PNEV7462C Board power settings	29		
5.2	PN7462AU IC power supply options	29		
5.3	Power supply status LEDs.....	29		
5.4	Supply options for PVDD, PVDD_M, VUP_TX and TVDD.....	30		
5.4.1	Supply options for PVDD and PVDD_M.....	30		
5.4.2	Supply options for VUP_TX.....	30		
5.4.3	Supply options for TVDD	30		
5.5	Host interfaces	31		
5.6	Debug interface	32		
6.	NFC Cockpit getting started	33		
6.1	Board preparation.....	33		
6.2	NFC Cockpit installation	33		
6.3	Firmware, EEPROM settings and driver.....	33		
6.4	NFC Cockpit getting started	33		
6.5	PN7462 family register access	35		
6.6	PN7462 family EEPROM access	35		
6.7	PN7462 family IC internal test bus	36		
6.8	PN7462 family Dynamic Power Control	37		
6.9	PN7462 family Adaptive Wave Control	38		
6.9.1	Proposal for "static" Tx shaping adjustment	39		
6.9.2	Proposal for "dynamic" Tx shaping adjustment	40		
6.10	PN7462 family Rx Matrix test	40		
6.10.1	Rx parameters.....	40		
6.10.2	Rx Matrix test principle	41		
6.10.3	Rx Matrix XML input file.....	42		
6.10.3.1	Input parameters	42		
6.11	NFC Cockpit with AWG	44		
6.11.1	NI VISA installation.....	44		
6.11.2	AWG setup and test for type A @ 106	44		
6.11.3	AWG setup and test for type B @ 106	46		
6.11.4	Rx Matrix test with AWG.....	48		

Please be aware that important notices concerning this document and the product(s) described herein, have been included in the section 'Legal information'.

© NXP B.V. 2018.

All rights reserved.

For more information, please visit: <http://www.nxp.com>
For sales office addresses, please send an email to: salesaddresses@nxp.com

Date of release: 14 May 2018

319816

Document identifier: UM10883

6.12	PN7462 family Low Power Card Detection	49	9.2.4	Operation with standby and without standby....	80
6.13	Secondary FW - EMVCo Loopback application	50	9.2.5	MIFARE Classic	82
6.14	PN7462 family Scripting	50	9.2.6	MIFARE Ultralight.....	83
7.	Software application stack	51	9.2.7	MIFARE DESFire	83
7.1	Hardware abstraction layer – HAL	52	9.2.8	Jewel reader	83
7.2	Protocol abstraction layer – PAL	52	9.2.9	ISO15693 – ICODE SLIX	83
7.3	Application layer – AL	53	9.2.10	ISO18000-3.3 – ICODE ILT.....	84
7.4	OSAL and utilities layer	53	9.2.11	Type B eZLINK/ SLE card	84
7.5	Component view	54	9.2.12	Type F (FeliCa tag)	84
7.5.1	Contactless component view.....	54	9.2.13	ISO14443-4 card mode (till activation)	84
7.5.2	Contact component view	55	9.2.14	Passive and active ISO18092 initiator (till activation)	85
7.6	Building a project from bottom to top.....	55	9.2.15	Passive ISO18092 target (till activation).....	85
7.7	RTOS and it's usage.....	56	9.2.16	Contact Example	85
8.	Managing the PN7462 family SW projects with MCUXpresso IDE	57	9.2.17	RTOS task management	85
8.1	Development environment	57	9.2.18	No-RTOS management.....	88
8.2	Installation of the MCUXpresso IDE	58	9.3	PN7462AU_ex_phExEMVCo (CLIF + CTIF functionality)	89
8.3	Installing PN7462AU FW and SW examples package	59	9.3.1	Demo setup	89
8.4	Updating PN7462AU EEPROM configuration..	59	9.3.2	Features	89
8.5	Importing provided SW example projects.....	60	9.3.3	EMVCo polling loop	90
8.6	Building projects.....	63	9.3.4	EMV transaction	90
8.7	Running and debugging the example projects.	65	9.3.5	RTOS task management	90
8.7.1	Break points	69	9.3.6	No RTOS management.....	90
8.7.2	Debug traces	70	9.4	PN7462AU_ex_phExRf (CL functionality)	91
8.7.3	Peripheral view.....	71	9.4.1	Demo setup	91
8.8	Updating PNEV7462B/C board firmware (flash and EEPROM memory)	73	9.4.2	Features	91
8.9	Updating flash/EEPROM via SWD interface	73	9.4.3	Application Flow	92
8.10	Updating flash and EEPROM via USB MSD interface	75	9.5	PN7462AU_ex_phExRFPoll example (CL functionality)	93
9.	PN7462AU software examples	77	9.6	PN7462AU_ex_phExCT (CT functionality).....	93
9.1	General overview	77	9.6.1	Demo setup	93
9.1.1	Application messages – debug printouts.....	77	9.6.2	Features	94
9.1.2	LEDs status specifications	77	9.6.3	Application Flow	94
9.2	PN7462AU_ex_phExMain – (CLIF + CTIF functionality)	78	9.6.4	EMVCo activation.....	95
9.2.1	Demo setup.....	78	9.6.5	SELECT master card	95
9.2.2	Features.....	79	9.7	PN7462AU_ex_phExCTEMVCo (CT functionality)	96
9.2.3	FreeRTOS usage in this example	79	9.7.1	Demo setup	96
			9.7.2	Features	96
			9.7.3	EMVCo activation.....	96

Please be aware that important notices concerning this document and the product(s) described herein, have been included in the section 'Legal information'.

9.7.4	APDU transactions.....	96
9.8	PN7462AU_ex_phExCT7816 (CT functionality)	97
9.8.1	Demo setup.....	97
9.8.2	Features.....	97
9.8.3	ISO7816 activation.....	97
9.8.4	APDU transactions.....	97
9.9	PN7462AU_ex_phExHif.....	98
9.9.1	Demo setup.....	98
9.9.2	Features.....	100
9.9.3	HIF selection.....	101
9.9.4	Operation selection.....	101
9.9.5	EEPROM configuration dependencies.....	101
9.9.6	MCUXpresso projects provided for LPC1769.....	103
9.10	PN7462AU_ex_phExPos.....	103
9.11	PN7462AU_ex_phExCcid.....	104
9.12	PN7462AU_ex_phSystemServices.....	105
9.13	PN7462AU_ex_phExVCom.....	107
9.13.1	Demo setup.....	107
9.13.2	Command sets.....	107
9.14	PN7462AU_ex_phExDoorAccess.....	107
9.15	PN7462AU_ex_phExDoorAccessEC.....	108
9.16	PN7462AU_ex_phExNFCCcid.....	109
9.17	PN7462AU_ex_phExMfCrypto.....	109
9.18	PN7462AU_ex_phExRfPCDA.....	110
10.	Abbreviations.....	111
11.	Annex A Rx Matrix XML input file examples.....	112
11.1	Type A example without AWG control.....	112
11.2	Type B example with AWG control.....	112
12.	References.....	113
13.	Legal information.....	114
13.1	Definitions.....	114
13.2	Disclaimers.....	114
13.3	Licenses.....	114
13.4	Trademarks.....	114
14.	List of figures.....	115
15.	List of tables.....	117
16.	Contents.....	118

Please be aware that important notices concerning this document and the product(s) described herein, have been included in the section 'Legal information'.
