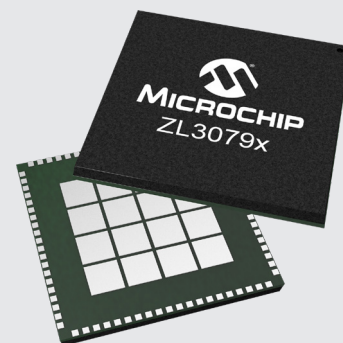


ZL3079x/69x/66x

Robust and Field-Proven Synchronization Solutions for Next-Generation 5G Applications

Summary

The ZL3079x/69x/66x family of synchronization products provide high-accuracy phase measurement and calibration tools, up to three independent DPLL channels, and locking to 1PPS in a feature-rich and highly programmable synchronization solution specifically targeted for 5G applications. It uses a robust and field proven IEEE1588 algorithm with many years of successful field deployments with the highest IEEE1588 market share. Our synchronization products have the performance and features to support 5G base stations and carrier-grade switches and routers, enterprise switches and routers, data center servers, professional broadcast and other high-speed, high-bandwidth applications with the tightest synchronization requirements.



Key Features

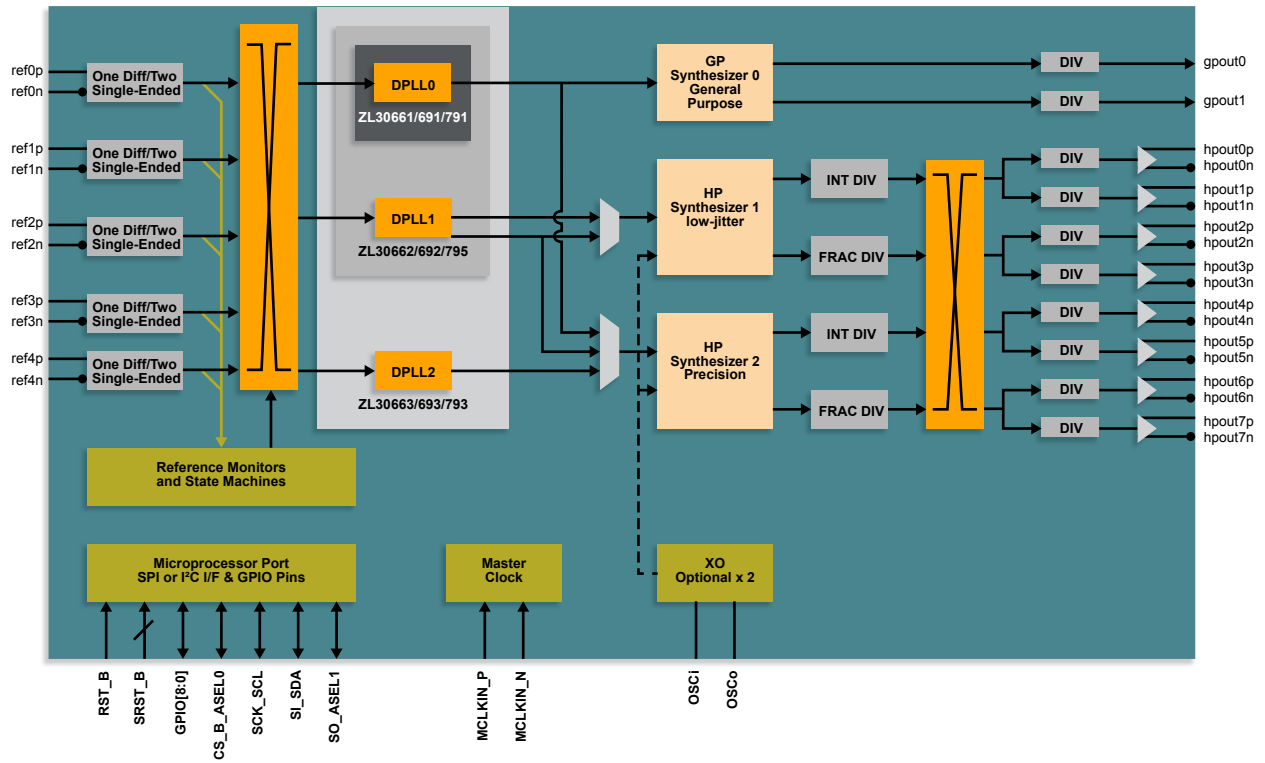
- 1/2/3 DPLL channels
- Two high-precision APLLs and one general purpose APLL
- Any-to-any frequency conversion per channel
- Integer and frac-N output dividers
- Monitor, measure and calibrate frequency and phase features (5G applications)
- Robust and proven 1588 algorithm

Applications

- 5G base stations and carrier-grade switches and routers
- Enterprise switches and routers
- Data center servers

Part #	Application	# of Channels	DPLLs Can Be NCO	DPLL BW, Hz	Inputs	Outputs	# of Freq Families	Typ/Max Jitter ps RMS	Input Freq. Range, Hz	Output Freq. Range, Hz	Pkg. Size, mm
ZL30661	SyncE Line Card	1	1	14-470	5D/10S	8D/16S+2S	5	0.230/0.300	1k-900M	0.5-1045M	11 x 11
ZL30662	SyncE Line Card	2	2	14-470	5D/10S	8D/16S+2S	5	0.230/0.300	1k-900M	0.5-1045M	11 x 11
ZL30663	SyncE Line Card	3	3	14-470	5D/10S	8D/16S+2S	5	0.230/0.300	1k-900M	0.5-1045M	11 x 11
ZL30691	SyncE Timing Card	1	1	0.1m-470	5D/10S	8D/16S+2S	5	0.230/0.300	0.5-900M	0.5-1045M	11 x 11
ZL30692	SyncE Timing Card	2	2	0.1m-470	5D/10S	8D/16S+2S	5	0.230/0.300	0.5-900M	0.5-1045M	11 x 11
ZL30693	SyncE Timing Card	3	3	0.1m-470	5D/10S	8D/16S+2S	5	0.230/0.300	0.5-900M	0.5-1045M	11 x 11
ZL30791	SyncE/IEEE1588	1	1	0.1m-470	5D/10S	8D/16S+2S	5	0.230/0.300	0.5-900M	0.5-1045M	11 x 11
ZL30795	SyncE/IEEE1588	2	2	0.1m-470	5D/10S	8D/16S+2S	5	0.230/0.300	0.5-900M	0.5-1045M	11 x 11
ZL30793	SyncE/IEEE1588	3	3	0.1m-470	5D/10S	8D/16S+2S	5	0.230/0.300	0.5-900M	0.5-1045M	11 x 11

Block Diagram



The Microchip name and logo and the Microchip logo are registered trademarks of Microchip Technology Incorporated in the U.S.A. and other countries. All other trademarks mentioned herein are property of their respective companies.
 © 2020, Microchip Technology Incorporated. All Rights Reserved. 1/20

DS00003321A