



CYPRESS

CY7C65100

CY7C65100

Four-port Universal Serial Bus Fixed-function Hub Controller

TABLE OF CONTENTS

1.0 FEATURES	3
2.0 FUNCTIONAL OVERVIEW	3
3.0 PRODUCT SUMMARY	4
3.1 Logic Block Diagram	4
3.2 Pin Configuration	4
3.3 Pin Assignments	5
4.0 CLOCKING	5
5.0 USB OVERVIEW	5
5.1 USB SIE	5
5.2 Hub Design	6
5.3 Vendor ID and Product ID	6
6.0 APPLICATION DIAGRAMS	7
6.1 USB Standalone Hub Schematics	8
7.0 ABSOLUTE MAXIMUM RATINGS	9
8.0 ELECTRICAL CHARACTERISTICS	9
9.0 SWITCHING CHARACTERISTICS	10
10.0 ORDERING INFORMATION	10
11.0 PACKAGE DIAGRAM	11

LIST OF FIGURES

Figure 4-1. Clock Oscillator On-chip Circuit	5
Figure 6-1. USB Standalone Hub Application Diagram	7
Figure 9-1. Clock Timing	10
Figure 9-2. USB Data Signal Timing	10

LIST OF TABLES

Table 3-1. Pin Assignments	5
---	----------

1.0 Features

- Fixed-function four-port USB hub devices with integrated hub repeater, hub controller, Serial Interface Engine (SIE), and USB transceivers
- USB Specification Compliance
 - Conforms to *USB Specification, Rev. 1.1*
 - Complies with the USB HUB Device Class
- Supports self-powered and bus-powered applications
- Individual downstream port power switching
- Individual downstream port overcurrent detection
- Integrated USB transceivers reduce EMI
- Internal 48-MHz phase-locked loop (PLL) reduces design cost by requiring only an external 6-MHz crystal
- Operating voltage from 4.0V–5.5V DC
- Operating temperature from 0°–70° Celsius
- Available in a space-saving 28-lead SOIC package

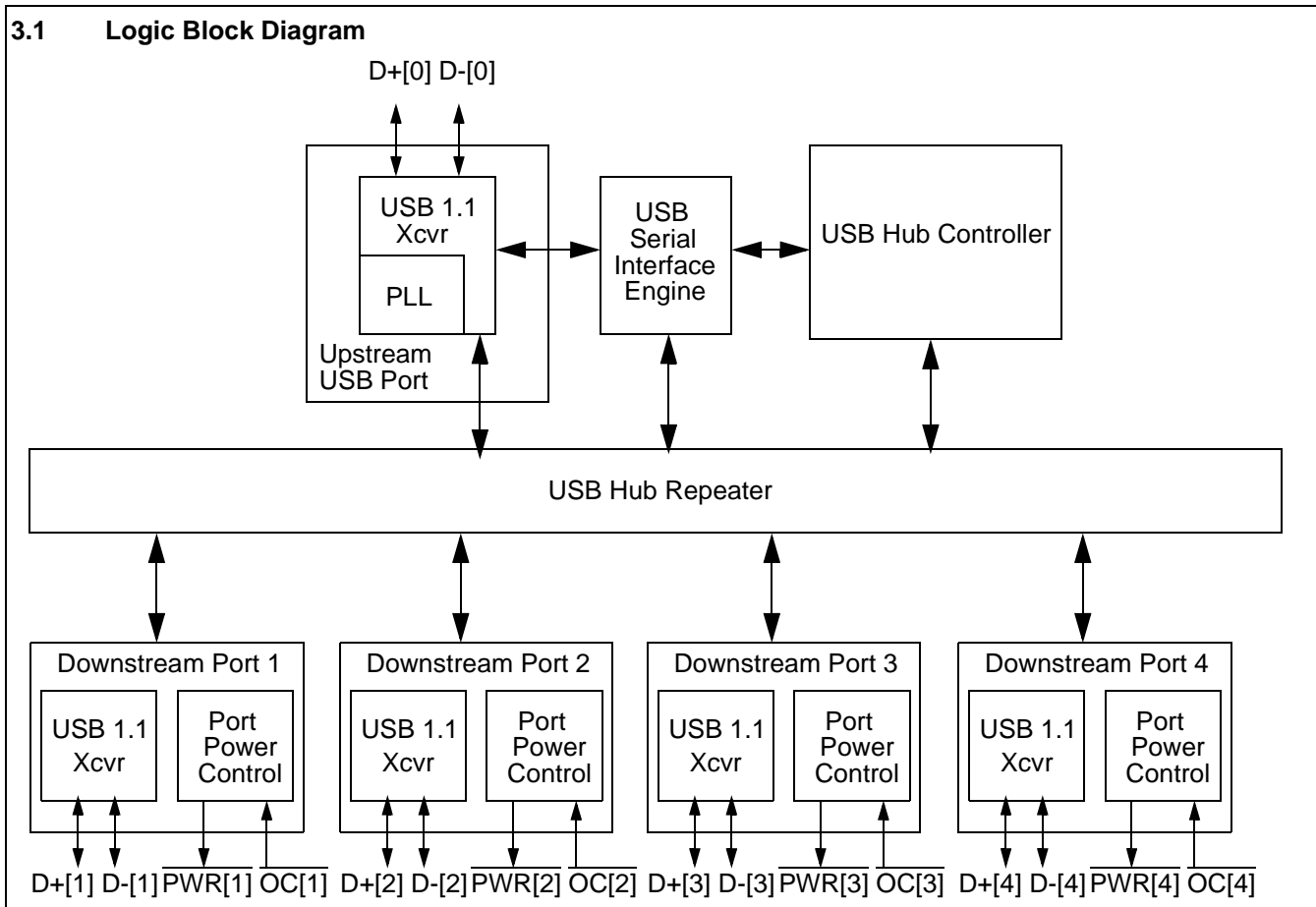
2.0 Functional Overview

The CY7C65100 series offers high-performance fixed-function Universal Serial Bus (USB) hub devices that comply with *USB Specification, Rev. 1.1*. Up to four downstream USB ports are available to expand the USB attachment points available in your PC system. These self-contained devices require no firmware development for your design, thereby reducing the design risk associated with some microcontroller solutions. These Application Specific Standard Products (ASSP) can improve time-to-market in a number of USB designs, including standalone hubs, motherboard hubs, and monitor hubs.

The CY7C65100 series supports self-powered or bus-powered applications. Power management for all downstream ports supports power-switching and overcurrent detection with individual port control. The four downstream ports support both full-speed (12-Mbps signaling rate) and low-speed (1.5-Mbps signaling rate) devices. The CY7C65100 series has a reduced frequency (6-MHz) crystal oscillator for lower system cost as well as improved EMI performance. The four-port CY7C65100 series is available in a cost-effective and space-saving 28-lead SOIC package.

3.0 Product Summary

3.1 Logic Block Diagram



3.2 Pin Configuration

CY7C65100 28-pin SOIC

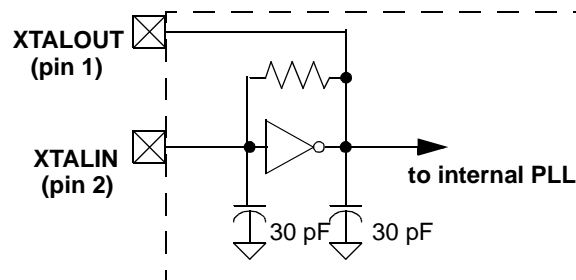
XTALOUT	1	28	V _{CC}
XTALIN	2	27	PSTAT[3/4]
V _{REF}	3	26	PSTAT[1/2]
GND	4	25	PWR_SEL
D+[0]	5	24	D-[3]
D-[0]	6	23	D+[3]
D+[1]	7	22	D-[4]
D-[1]	8	21	D+[4]
D+[2]	9	20	GND
D-[2]	10	19	GND
OC[4]	11	18	PWR[1]
OC[2]	12	17	PWR[3]
PWR[4]	13	16	OC[1]
PWR[2]	14	15	OC[3]

3.3 Pin Assignments

Table 3-1. Pin Assignments

Name	I/O	Pin	Description
D+[0], D-[0]	I/O	5,6	Upstream port, USB differential data
D+[1], D-[1]	I/O	7,8	Downstream port 1, USB differential data
D+[2], D-[2]	I/O	9,10	Downstream port 2, USB differential data
D+[3], D-[3]	I/O	23,24	Downstream port 3, USB differential data
D+[4], D-[4]	I/O	21,22	Downstream port 4, USB differential data
$\overline{\text{PWR}}[1]-\overline{\text{PWR}}[4]$	OUT	18,14,17,13	Downstream port power enable output
$\overline{\text{OC}}[1]-\overline{\text{OC}}[4]$	IN	16,12,15,11	Downstream port power over-current detection signals
XTALIN	IN	2	6-MHz crystal or external clock input
XTALOUT	OUT	1	6-MHz crystal out
V _{CC}	PWR	28	Voltage supply
GND	GND	4,19,20	Ground
V _{REF}	IN	3	Input for external 3.3V supply voltage for the upstream and downstream differential data output buffers and the D+ pull-up
PWR_SEL	IN	25	Bus or self-power function select input
$\overline{\text{PSTAT}}[1/2], \overline{\text{PSTAT}}[3/4]$	OUT	26,27	Downstream port LED status enable

4.0 Clocking


Figure 4-1. Clock Oscillator On-chip Circuit

XTALIN and XTALOUT are the clock pins to the CY7C65100 series. The user can connect either an external oscillator or a crystal to these pins. A 6-MHz fundamental crystal can be connected to these pins to provide a reference frequency for the internal PLL. When using an external crystal, keep PCB traces between the chip leads and crystal as short as possible (less than 2 cm). A ceramic resonator is not an adequate clock source to meet the timing specifications of a high-speed USB function and therefore cannot be used with these parts. An external 6-MHz clock can be applied to the XTALIN pin if the XTALOUT pin is left open. Please note that grounding the XTALOUT pin when driving XTALIN with an oscillator will not work as the internal clock is effectively shorted to ground.

5.0 USB Overview

The USB hardware includes a USB Hub repeater with one upstream port and up to four downstream ports. An external series resistor of $R_{\text{ext}} = 20\Omega (\pm 5\%)$ must be placed in series with all upstream and downstream USB I/O in order to meet the USB driver impedance requirements as defined by the USB specification (see *Figure 6-1*).

5.1 USB SIE

The SIE allows the CY7C65100 series to communicate with the USB host through the USB repeater portion of the hub. The SIE handles the following USB bus activity independently of the hub microcontroller:

- Bit stuffing/unstuffing
- Checksum generation/checking

- ACK/NAK/STALL
- TOKEN type identification
- Address checking.

The following protocol handling is done at a higher level by the Hub Control Block:

- Coordinate enumeration by responding to SETUP packets
- Fill and empty the FIFOs
- Suspend/Resume coordination
- Verify and select DATA toggle values
- Port power control and over-current detection.

5.2 Hub Design

The power switching and over-current detection of downstream ports is managed by control pins connected to an external power switch device (see *Figure 6-1*). The active-LOW $\overline{PWR[n]}$ output pins of the CY7C65100 series are connected to the respective external power switch's port power enable signals. (Note that each port power output pin of the external power switch must be bypassed with an electrolytic or tantalum capacitor as required by the USB specification. These capacitors supply the inrush currents which occur during downstream device hot-attach events.) The active-LOW $\overline{OC[n]}$ pins of the CY7C65100 series are connected to the respective external power switch's port over-current indication (output) signals. Upon detecting an over-current condition, the hub device reports the over-current condition to the host and disables (sets to logic HIGH) the respective $\overline{PWR[n]}$ signal connected to the external power device.

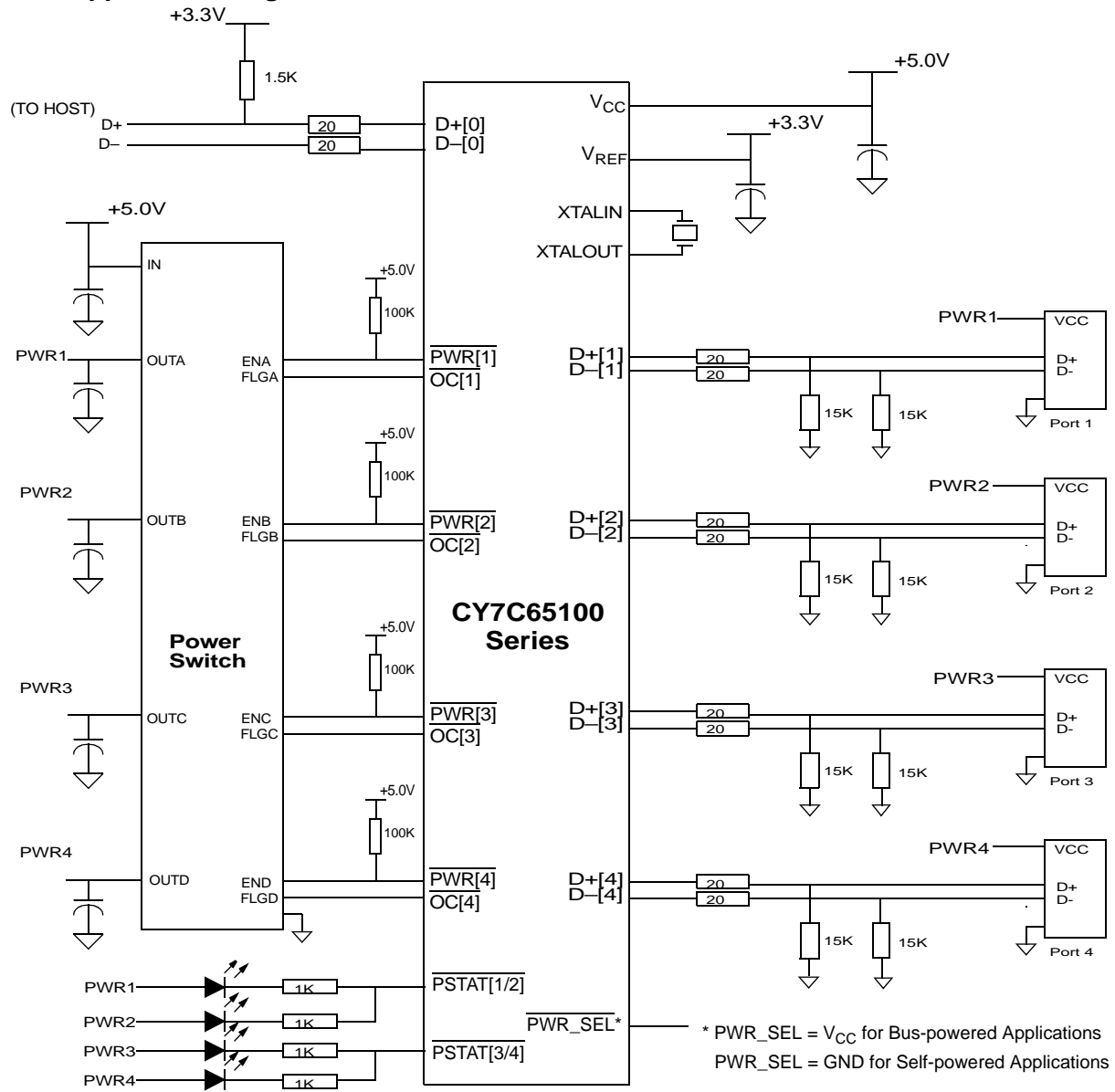
5.3 Vendor ID and Product ID

The CY7C65100 Series will enumerate with the default Vendor ID and Product ID as follows.

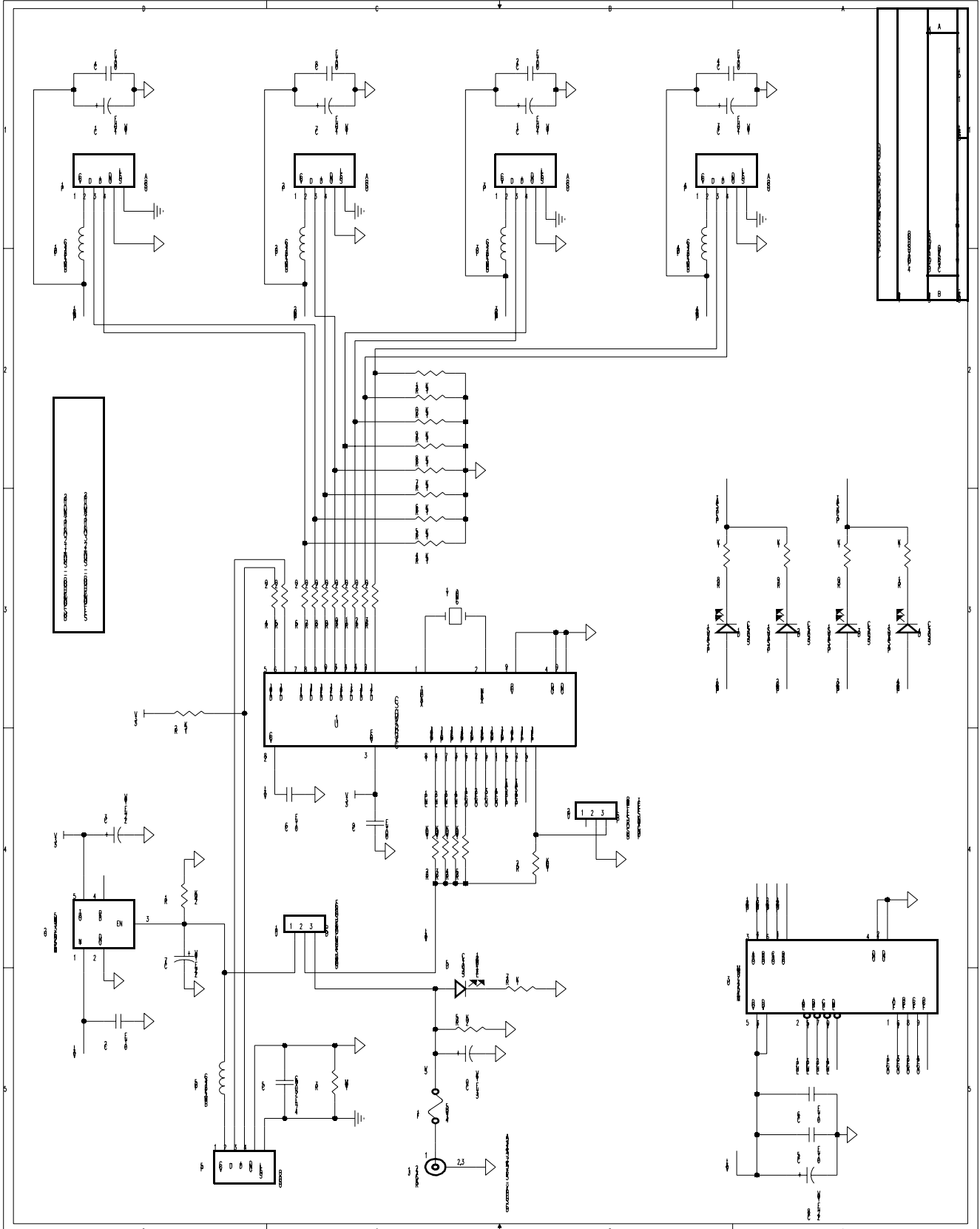
	Bus-powered	Self-powered
Vendor ID	0x04b4	0x04b4
Product ID	0x5204	0x5203

Pin 25 (PWR_SEL) is a strapping option that selects the device's power configuration report (PWR_SEL = GND for self-powered, PWR_SEL = Vcc for bus-powered).

For high-volume business, Cypress has the capability to factory-program a Custom Vendor ID and Product ID. Please contact your local Cypress sales office for more information.

6.0 Application Diagrams

Figure 6-1. USB Standalone Hub Application Diagram

6.1 USB Standalone Hub Schematics



7.0 Absolute Maximum Ratings

Storage Temperature -65°C to +150°C
 Ambient Temperature with Power Applied -0°C to +70°C
 Supply voltage on V_{CC} relative to V_{SS} -0.5V to +7.0V
 DC Input Voltage -0.5V to $+V_{CC} + 0.5V$
 Power Dissipation 500 mW
 Static Discharge Voltage > 2000V
 Latch-up Current > 200 mA
 Max Output Sink Current into $\overline{PWR[n]}$ Pins
 ($V_{out} = 2.0V$) 60 mA

8.0 Electrical Characteristics $F_{OSC} = 6\text{ MHz}$; Operating Temperature = 0° to 70°C, $V_{CC} = 4.0V$ to 5.5V

Parameter	Description	Conditions	Min.	Max.	Unit
General					
V_{ref}	Reference Voltage	$3.3V \pm 5\%$	3.15	3.45	V
I_{CC}	V_{CC} Operating Current			50	mA
I_{REF}	V_{ref} Operating Current	No USB Traffic		10	mA
I_{SB1}	Standby Current			50	μA
I_{IL}	Input Leakage Current	any pin		1	μA
USB Interface					
V_{di}	Differential Input Sensitivity	$ (D+) - (D-) $	0.2		V
V_{cm}	Differential Input Common Mode Range		0.8	2.5	V
V_{se}	Single Ended Receiver Threshold		0.8	2.0	V
C_{in}	Transceiver Capacitance			20	pF
I_{io}	High-Z State Data Line Leakage	$0V < V_{in} < 3.3V$	-10	10	μA
R_{D+}	USB Power Setting Pull-up Resistor		1.425	1.575	KW
R_{ext1}	External USB Pull-down Resistor	Downstream data lines	14.25	15.75	KW
R_{ext2}	External USB Series Resistor	In series with each USB pin	19	21	W
Power-On Reset					
t_{vccs}	V_{CC} Ramp Rate	Linear ramp: $V_{CC}=0$ to Operating Voltage ^[1]	0	100	ms
USB Upstream/Downstream Port					
V_{oh}	Static Output HIGH	RL of $15\text{ k}\Omega \pm 5\%$ to Gnd	2.8	3.6	V
V_{ol}	Static Output LOW	RL of $1.5\text{ k}\Omega \pm 5\%$ to 3.6V		0.3	V
V_{crs}	Crossover Voltage		1.3	2.0	V
Z_o	USB Driver Output Impedance	Including R_{ext}	28	44	W
OC[n] Pins					
V_{IL}	Input LOW Threshold Voltage			0.8	V
V_{IH}	Input HIGH Threshold Voltage		2.0		V
$\overline{PWR[n]}$ Pins					
$I_{\overline{PWR[n]}}$	$\overline{PWR[n]}$ Sink Current (typical 7 mA)	$V_{out} = 2.0V$ DC	3.5	10.6	mA

Note:

1. Power-on Reset will occur whenever the voltage on V_{CC} is below approximately 2.5V.

Parameter	Description	Min.	Max.	Unit
Clock Source				
f_{OSC}	Clock Rate	5.985	6.015	MHz
t_{cyc}	Clock Period	166.25	167.08	nsec
t_{CH}	Clock HIGH Time	$0.45 t_{cyc}$		ns
t_{CL}	Clock LOW Time	$0.45 t_{cyc}$		ns
USB Full-speed Signaling				
t_r	Transition Rise Time	4	20	ns
t_f	Transition Fall Time	4	20	ns
t_{rfm}	Rise/Fall Time Matching; (t_r/t_f)	90	110	%
t_{drate}	Full-speed Data Rate	11.97	12.03	Mb/s
USB Low-speed Signaling				
t_r	Transition Rise Time	75	300	ns
t_f	Transition Fall Time	75	300	ns
t_{rfm}	Rise/Fall Time Matching; (t_r/t_f)	80	120	%
t_{drate}	Low-speed Data Rate	1.4775	1.5225	Mb/s

9.0 Switching Characteristics

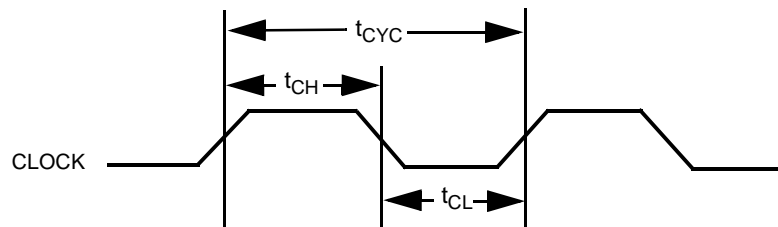


Figure 9-1. Clock Timing

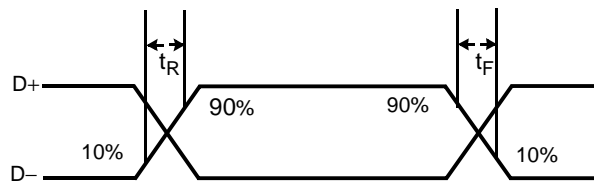
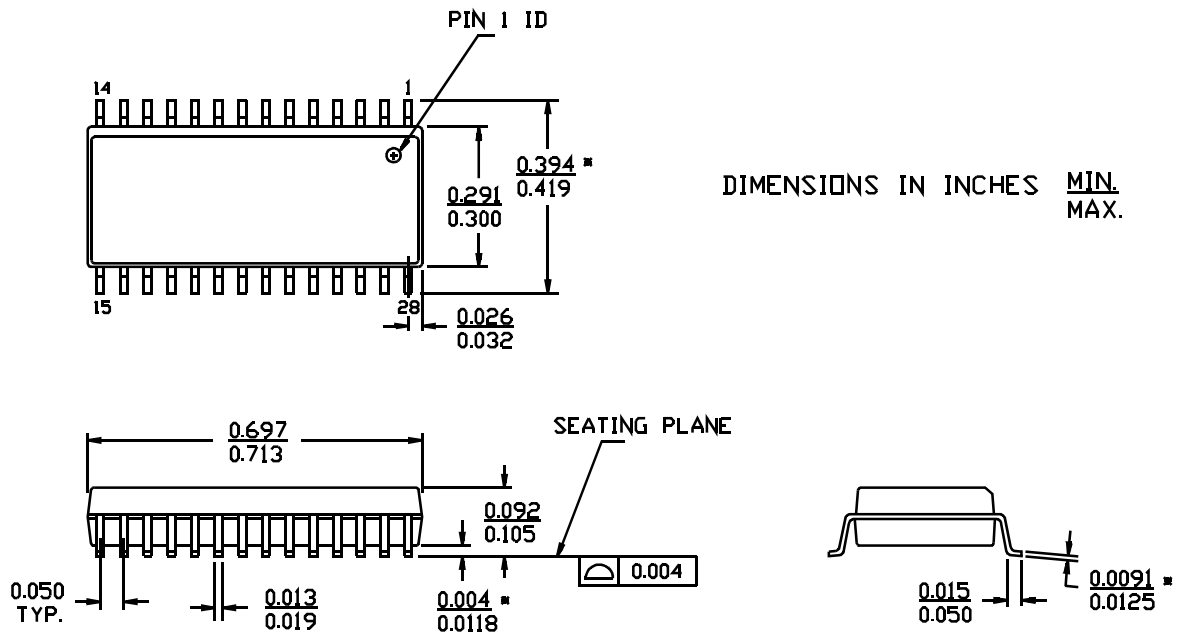


Figure 9-2. USB Data Signal Timing

10.0 Ordering Information

Ordering Code	Package Name	Description	Operating Range
CY7C65100-SC	S21	28-pin SOIC	Commercial

11.0 Package Diagram
28-lead (300-mil) Molded SOIC S21


51-85026-A

All product and company names mentioned in this document are the trademarks of their respective holders.



Document Title: CY7C65100 Four-port Universal Serial Bus Fixed-function Hub Controller
Document Number: 38-08021

REV.	ECN NO.	Issue Date	Orig. of Change	Description of Change
**	113849	06/25/02	BON	New Data Sheet