

Advanced Regulating Pulse Width Modulators

FEATURES

- Dual Uncommitted 40V, 200mA Output Transistors
- 1% Accurate 5V Reference
- Dual Error Amplifiers
- Wide Range, Variable Deadtime
- Single-ended or Push-pull Operation
- Under-voltage Lockout With Hysteresis
- Double Pulse Protection
- Master or Slave Oscillator Operation
- UC495A: Internal 39V Zener Diode
- UC495A: Buffered Steering Control

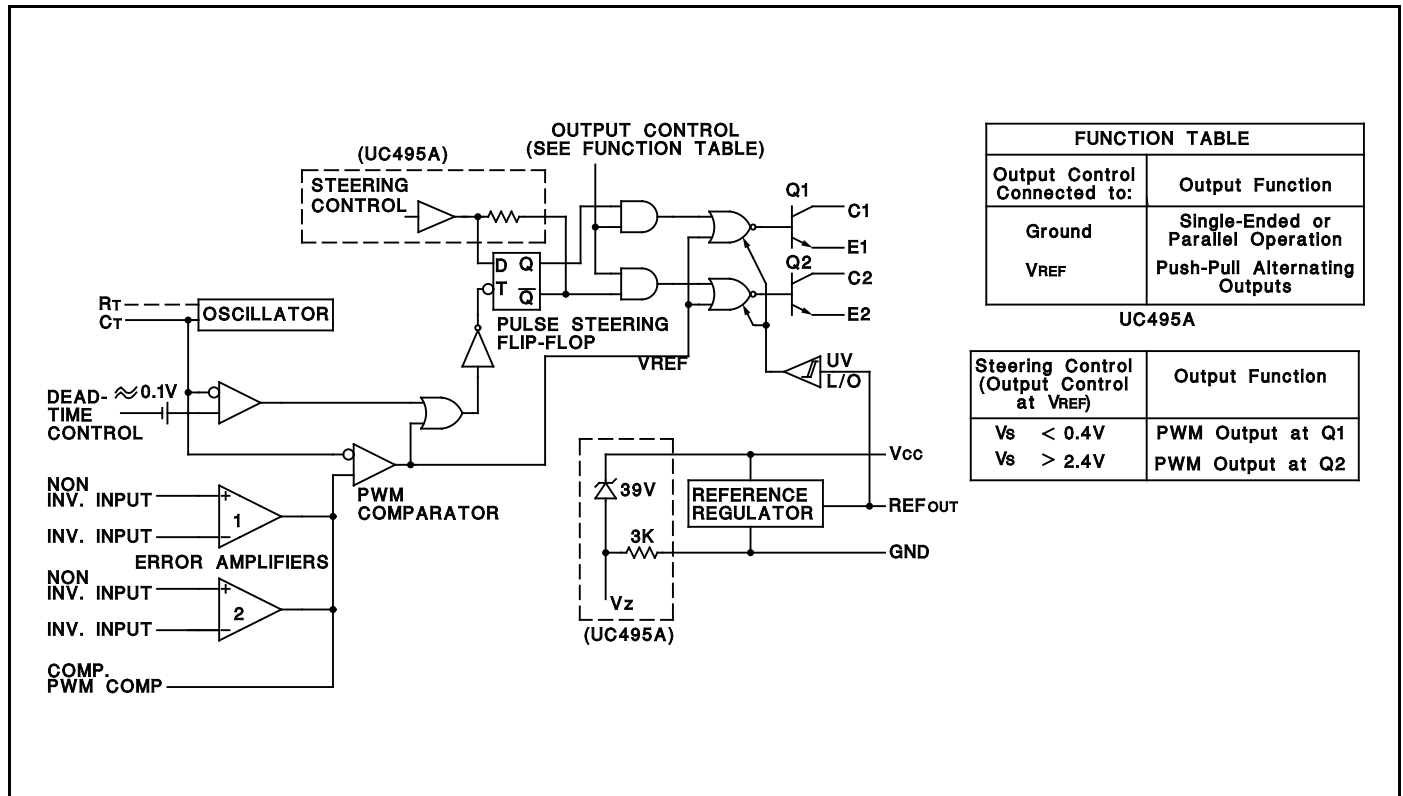
DESCRIPTION

This entire series of PWM modulators each provide a complete pulse width modulation system in a single monolithic integrated circuit. These devices include a 5V reference accurate to $\pm 1\%$, two independent amplifiers usable for both voltage and current sensing, an externally synchronizable oscillator with its linear ramp generator, and two uncommitted transistor output switches. These two outputs may be operated either in parallel for single-ended operation or alternating for push-pull applications with an externally controlled dead-band. These units are internally protected against double-pulsing of a single output or from extraneous output signals when the input supply voltage is below minimum.

The UC495A contains an on-chip 39V zener diode for high-voltage applications where V_{CC} would be greater than 40V, and a buffered output steering control that overrides the internal control of the pulse steering flip-flop.

The UC494A is packaged in a 16-pin DIP, while the UC495A is packaged in an 18 pin DIP. The UC494A, UC495A are specified for operation over the full military temperature range of -55°C to $+125^{\circ}\text{C}$, while the UC494AC, UC495AC are designed for industrial applications from 0°C to $+70^{\circ}\text{C}$.

BLOCK DIAGRAM



ABSOLUTE MAXIMUM RATINGS (Note 1, 2, 3)

Supply Voltage, Vcc (Note 2)	45V
Amplifier Input Voltages	Vcc + 0.3V
Collector Output Voltage	41V
Collector Output Current	250mA
Continuous Total Dissipation	1000mW
@ (or below) 25°C free air temperature range (Note 3)	
Storage Temperature Range	-65° to +150°C
Lead Temperature 1/16" (1.6mm) from case for 60 seconds, J Package	300°C
Lead Temperature 1/16" (1.6mm) from case for 10 seconds, N Package	260°C

Note 1: Over operating free air temperature range unless otherwise noted.

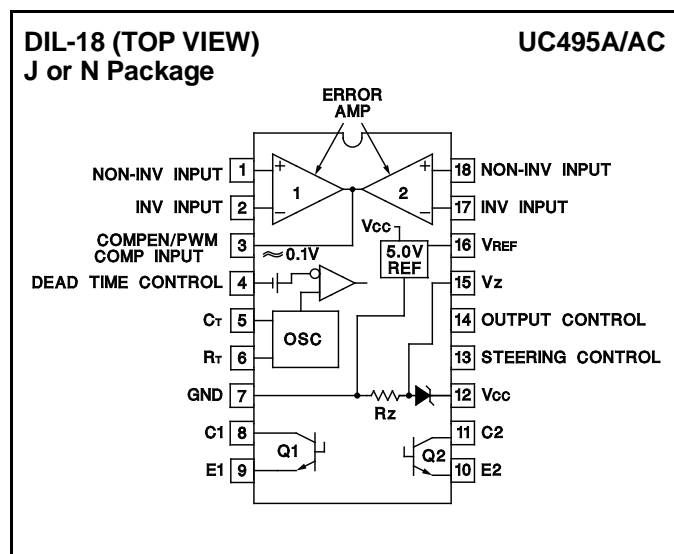
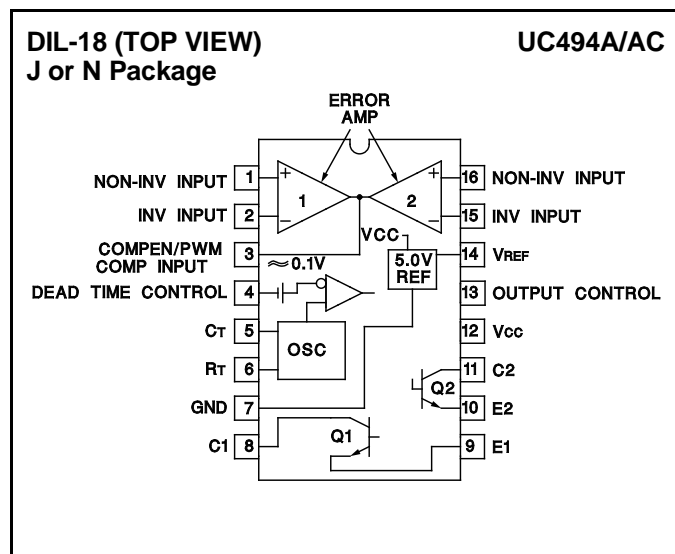
Note 2: All voltage values are with respect to network ground terminal 3.

Note 3: Consult Packaging Section of Databook regarding thermal specifications and limitations of packages.

RECOMMENDED OPERATING CONDITIONS

Supply Voltage Vcc	7V to 40V
Error Amplifier Input Voltages	-0.3V to Vcc-2V
Collector Output Voltage	40V
Collector Output Current (each transistor)	200mA
Current into Feedback Terminal	0.3mA
Timing Capacitor, CT	0.47nF to 10,000nF
Timing Resistor, RT	1.8kΩ to 500kΩ
Oscillator Frequency	1kHz to 300kHz
Operating Free Air Temperature	
UC494A, UC495A	-55°C to +125°C
UC494AC, UC495AC	0°C to +70°C

CONNECTION DIAGRAMS



ELECTRICAL CHARACTERISTICS: Unless otherwise stated, over recommended operating free-air temperature range, Vcc = 15V, f = 10kHz, TA = TJ.

PARAMETER	TEST CONDITIONS	MIN	TYP	MAX	UNITS
Reference Section					
Output Voltage VREF	Io = 1mA, TA = 25°C	4.95	5	5.05	V
Input Regulation	Vcc = 7V to 40V		2	25	mV
Output Regulation	Io = 1mA to 10mA		1	15	mV
Output Voltage Over Temperature	ΔTA = Min. to Max.	4.90		5.10	V
Short Circuit Output Current	VREF = 0, TA = 25°C (Note 1)	10	35	50	mA
Oscillator Section					
Frequency (Note 2)	CT = 0.01μF, RT = 12kΩ		10		kHz
Standard Deviation Of Frequency (Note 3)	All Values of Vcc, CT, RT, TA Constant		10		%
Frequency Change With Voltage	Vcc = 7V to 40V, TA = 25°C		0.1		%
Frequency Change With Temperature	CT = 0.01μF, RT = 12kΩ, ΔTA = Min. to Max.			2	%
Deadtime Control Section (Output Control Connected to VREF)					
Input Bias Current (Pin 4)	V(PIN 4) = 0V to 5.25V		-2	-10	μA
Maximum Duty-Cycle (Each Output)	V(PIN 4) = 0V	45			%

ELECTRICAL CHARACTERISTICS: Unless otherwise stated, over recommended operating free-air temperature range, $V_{CC} = 15V$, $f = 10kHz$, $T_A = T_J$.

PARAMETER		TEST CONDITION	MIN	TYP	MAX	UNITS	
Deadtime Control Section (cont.) (Output Control Connected to VREF)							
Input Threshold Voltage (Pin 4)	Zero Duty-Cycle			3	3.3	V	
	Maximum Duty-Cycle		0			V	
Amplifier Section							
Input Offset Voltage	V_O (PIN 3) = 2.5V			2	10	mV	
Input Offset Current	V_O (PIN 3) = 2.5V			25	250	nA	
Input Bias Current	V_O (PIN 3) = 2.5V			-0.2	-1	μA	
Common-Mode Input Voltage Range	$V_{CC} = 7V$ to 40V		.03 to $V_{CC} - 2$			V	
Open Loop Voltage Gain	$\Delta V_O = 3V$, $V_O = 0.5V$ to 3.5 V		70	95		dB	
Unity Gain Bandwidth				800		kHz	
Common-Mode Rejection Ratio	$V_{CC} = 40V$, $T_A = 25^\circ C$		65	80		dB	
Output Sink Current (Pin 3)	$V_{ID} = -15mV$ to -5V, $V_{(PIN 3)} = 0.7V$		0.3	0.7		mA	
Output Source Current (Pin 3)	$V_{ID} = 15mV$ to 5V, $V_{(PIN 3)} = 3.5V$		-2			mA	
Output Section							
Collector Off-State Current	$V_{CE} = 40V$, $V_{CC} = 40V$			2	100	μA	
Emitter Off-State Current	$V_{CC} = V_C = 40V$, $V_E = 0$				-100	μA	
Collector - Emitter Saturation Voltage	Common-Emitter	$V_E = 0$, $I_C = 200mA$		1.1	1.3	V	
	Emitter-Follower	$V_C = 15V$, $I_E = -200mA$		1.5	2.5	V	
Output Control Input Current	$V_I = V_{REF}$				3.5	mA	
PWM Comparator Section							
Input Threshold Voltage (Pin 3)	Zero Duty-Cycle			4	4.5	V	
Input Sink Current (Pin 3)	$V_{(PIN 3)} = 0.7V$		0.3	0.7		mA	
Steering Control (UC495A, See Function Table)							
Input Current	$V_{(PIN 13)} = 0.4V$, Q1 ACTIVE				-200	μA	
	$V_{(PIN 13)} = 2.4V$, Q2 ACTIVE				300	μA	
Deadband				500		mV	
Zener Diode Circuit (UC495A)							
Breakdown Voltage	$V_{CC} = 45V$, $I_Z = 2mA$		36	39	45	V	
Sink Current	$V_{(PIN 15)} = 1V$		0.2	0.3	0.6	mA	
Total Device							
Standby Supply Current	Pin 6 at VREF, All other inputs and outputs open		$V_{CC} = 15V$		6	10	mA
			$V_{CC} = 40V$		9	15	mA
Under Voltage Lockout			3.5		6.5	V	
Hysteresis				300		mV	
Switching Characteristics ($T_A = 25^\circ C$)							
Output Voltage Rise Time	Common-Emitter Configuration			100	200	ns	
Output Voltage Fall Time	$R_L = 68\Omega$, $C_L = 15pF$			25	100	ns	
Output Voltage Rise Time	Emitter-Follower Configuration			100	200	ns	
Output Voltage Fall Time	$R_L = 68\Omega$, $C_L = 15pF$			40	100	ns	

Note 1: Duration of the short circuit should not exceed one second.

Note 2: Frequency for other values of C_T and R_T is approximately $f = \frac{1.1}{RTCT}$

Note 3: Standard deviation is a measure of the statistical distribution about the mean as derived from the formula:

$$\sigma = \sqrt{\frac{\sum_{n=1}^n (X_n - \bar{X})^2}{n-1}}$$

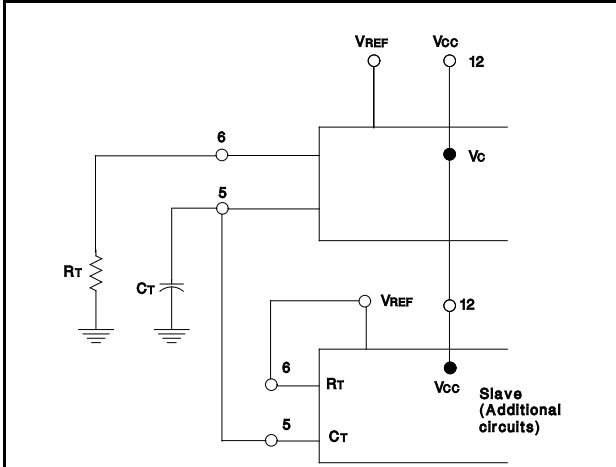


Figure 1. Slaving Two or More Control Circuits

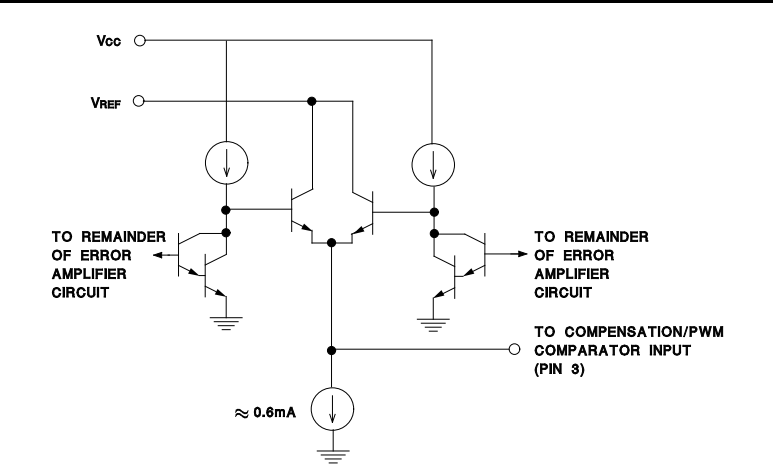
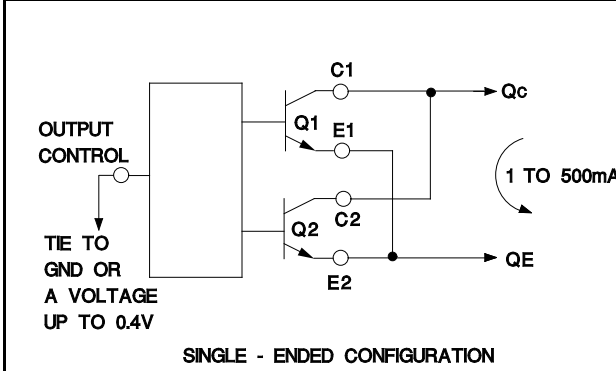
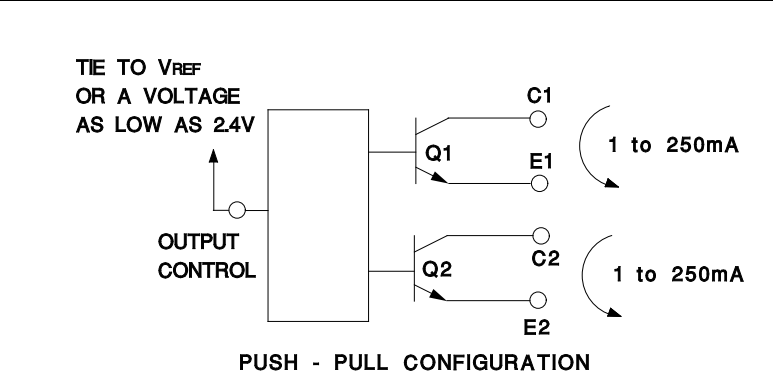


Figure 2. Output Circuit of Error Amplifiers



SINGLE - ENDED CONFIGURATION



PUSH - PULL CONFIGURATION

Figure 3. Output Connections for Single-Ended and Push-Pull Configurations

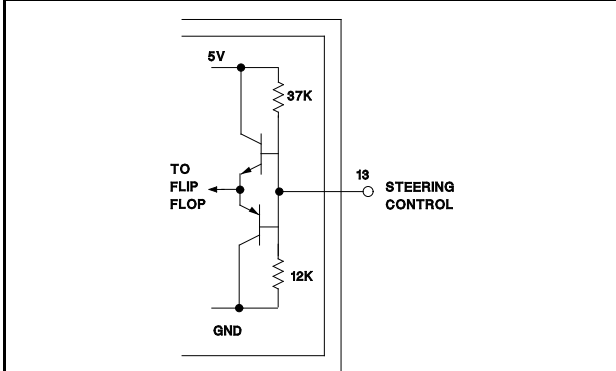


Figure 4. Internal Buffer with Deadband for Steering Control on UC495A

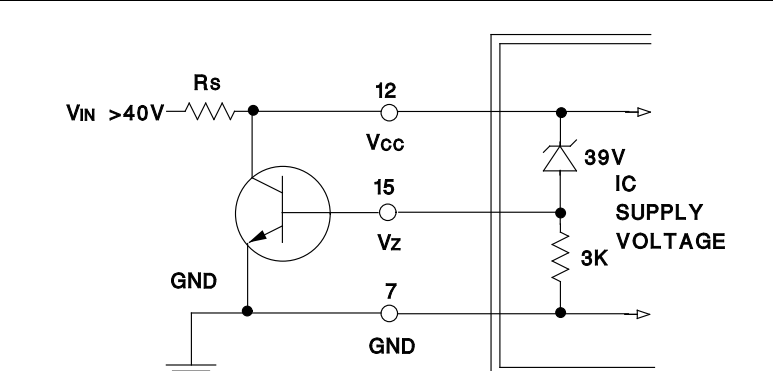


Figure 5. Operation with VIN > 40V Using Internal Zener

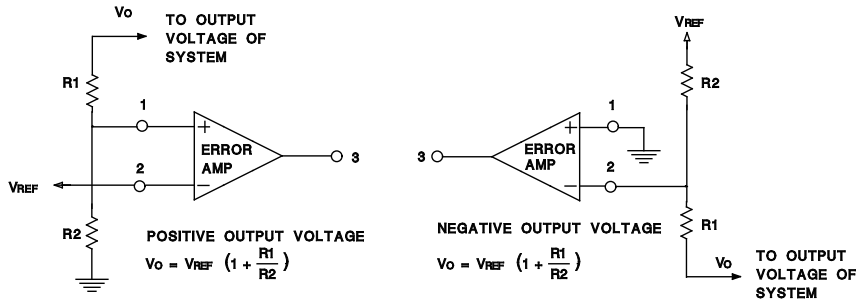


Figure 6. Error Amplifier Sensing Techniques

PACKAGING INFORMATION

Orderable Device	Status ⁽¹⁾	Package Type	Package Drawing	Pins	Package Qty	Eco Plan ⁽²⁾	Lead/Ball Finish	MSL Peak Temp ⁽³⁾
UC494ACJ	OBSOLETE	CDIP	J	16		TBD	Call TI	Call TI
UC494ACN	OBSOLETE	PDIP	N	16		TBD	Call TI	Call TI
UC494AJ	OBSOLETE	CDIP	J	16		TBD	Call TI	Call TI
UC494AJ883B	OBSOLETE	CDIP	J	16		TBD	Call TI	Call TI
UC494AN	OBSOLETE	PDIP	N	16		TBD	Call TI	Call TI
UC495ACN	OBSOLETE	PDIP	N	18		TBD	Call TI	Call TI

⁽¹⁾ The marketing status values are defined as follows:

ACTIVE: Product device recommended for new designs.

LIFEBUY: TI has announced that the device will be discontinued, and a lifetime-buy period is in effect.

NRND: Not recommended for new designs. Device is in production to support existing customers, but TI does not recommend using this part in a new design.

PREVIEW: Device has been announced but is not in production. Samples may or may not be available.

OBSOLETE: TI has discontinued the production of the device.

⁽²⁾ Eco Plan - The planned eco-friendly classification: Pb-Free (RoHS) or Green (RoHS & no Sb/Br) - please check <http://www.ti.com/productcontent> for the latest availability information and additional product content details.

TBD: The Pb-Free/Green conversion plan has not been defined.

Pb-Free (RoHS): TI's terms "Lead-Free" or "Pb-Free" mean semiconductor products that are compatible with the current RoHS requirements for all 6 substances, including the requirement that lead not exceed 0.1% by weight in homogeneous materials. Where designed to be soldered at high temperatures, TI Pb-Free products are suitable for use in specified lead-free processes.

Green (RoHS & no Sb/Br): TI defines "Green" to mean Pb-Free (RoHS compatible), and free of Bromine (Br) and Antimony (Sb) based flame retardants (Br or Sb do not exceed 0.1% by weight in homogeneous material)

⁽³⁾ MSL, Peak Temp. -- The Moisture Sensitivity Level rating according to the JEDEC industry standard classifications, and peak solder temperature.

Important Information and Disclaimer:The information provided on this page represents TI's knowledge and belief as of the date that it is provided. TI bases its knowledge and belief on information provided by third parties, and makes no representation or warranty as to the accuracy of such information. Efforts are underway to better integrate information from third parties. TI has taken and continues to take reasonable steps to provide representative and accurate information but may not have conducted destructive testing or chemical analysis on incoming materials and chemicals. TI and TI suppliers consider certain information to be proprietary, and thus CAS numbers and other limited information may not be available for release.

In no event shall TI's liability arising out of such information exceed the total purchase price of the TI part(s) at issue in this document sold by TI to Customer on an annual basis.

IMPORTANT NOTICE

Texas Instruments Incorporated and its subsidiaries (TI) reserve the right to make corrections, modifications, enhancements, improvements, and other changes to its products and services at any time and to discontinue any product or service without notice. Customers should obtain the latest relevant information before placing orders and should verify that such information is current and complete. All products are sold subject to TI's terms and conditions of sale supplied at the time of order acknowledgment.

TI warrants performance of its hardware products to the specifications applicable at the time of sale in accordance with TI's standard warranty. Testing and other quality control techniques are used to the extent TI deems necessary to support this warranty. Except where mandated by government requirements, testing of all parameters of each product is not necessarily performed.

TI assumes no liability for applications assistance or customer product design. Customers are responsible for their products and applications using TI components. To minimize the risks associated with customer products and applications, customers should provide adequate design and operating safeguards.

TI does not warrant or represent that any license, either express or implied, is granted under any TI patent right, copyright, mask work right, or other TI intellectual property right relating to any combination, machine, or process in which TI products or services are used. Information published by TI regarding third-party products or services does not constitute a license from TI to use such products or services or a warranty or endorsement thereof. Use of such information may require a license from a third party under the patents or other intellectual property of the third party, or a license from TI under the patents or other intellectual property of TI.

Reproduction of information in TI data books or data sheets is permissible only if reproduction is without alteration and is accompanied by all associated warranties, conditions, limitations, and notices. Reproduction of this information with alteration is an unfair and deceptive business practice. TI is not responsible or liable for such altered documentation.

Resale of TI products or services with statements different from or beyond the parameters stated by TI for that product or service voids all express and any implied warranties for the associated TI product or service and is an unfair and deceptive business practice. TI is not responsible or liable for any such statements.

Following are URLs where you can obtain information on other Texas Instruments products and application solutions:

Products		Applications	
Amplifiers	amplifier.ti.com	Audio	www.ti.com/audio
Data Converters	dataconverter.ti.com	Automotive	www.ti.com/automotive
DSP	dsp.ti.com	Broadband	www.ti.com/broadband
Interface	interface.ti.com	Digital Control	www.ti.com/digitalcontrol
Logic	logic.ti.com	Military	www.ti.com/military
Power Mgmt	power.ti.com	Optical Networking	www.ti.com/opticalnetwork
Microcontrollers	microcontroller.ti.com	Security	www.ti.com/security
		Telephony	www.ti.com/telephony
		Video & Imaging	www.ti.com/video
		Wireless	www.ti.com/wireless

Mailing Address: Texas Instruments
Post Office Box 655303 Dallas, Texas 75265