



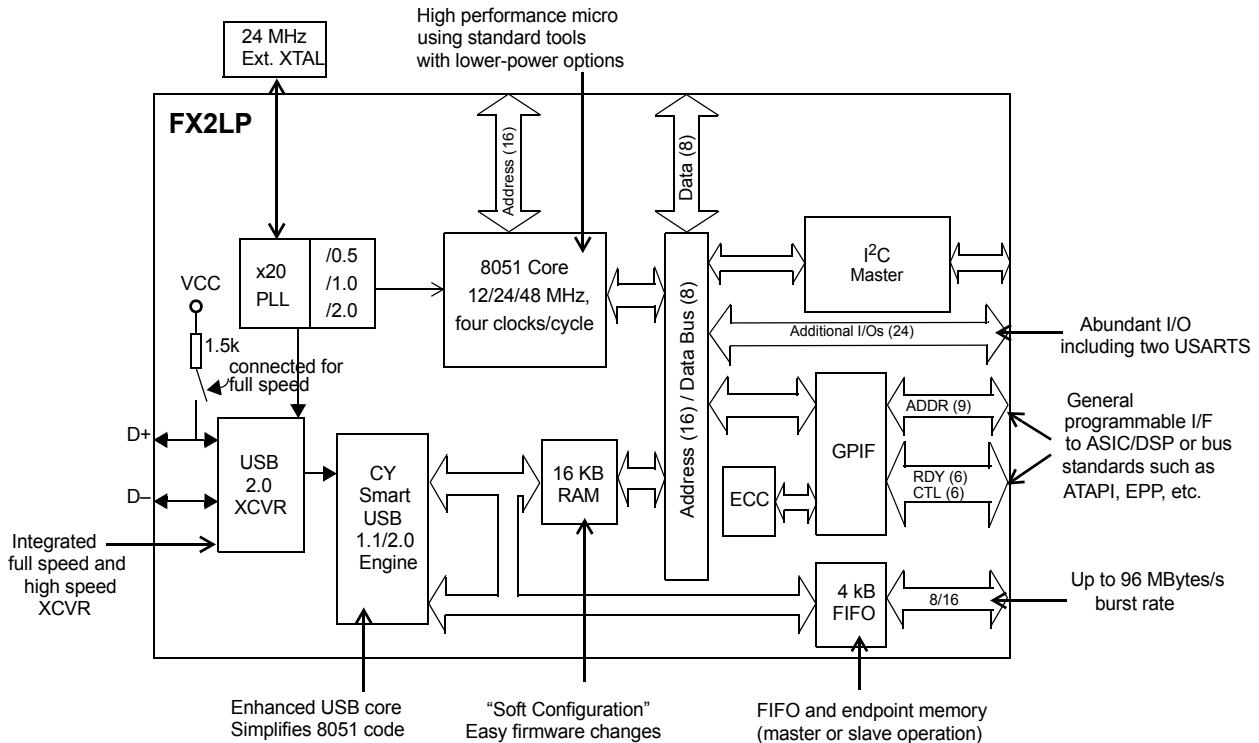
**CY7C68013A, CY7C68014A  
CY7C68015A, CY7C68016A**

## **EZ-USB FX2LP™ USB Microcontroller High Speed USB Peripheral Controller**

### **1. Features (CY7C68013A/14A/15A/16A)**

- USB 2.0 USB IF High Speed Certified (TID # 40460272)
- Single Chip Integrated USB 2.0 Transceiver, Smart SIE, and Enhanced 8051 Microprocessor
- Fit, Form, and Function Compatible with the FX2
  - Pin compatible
  - Object-code-compatible
  - Functionally Compatible (FX2LP is a superset)
- Ultra Low Power:  $I_{CC}$  No More than 85 mA in any Mode
  - Ideal for bus and battery powered applications
- Software: 8051 Code Runs from:
  - Internal RAM, which is downloaded through USB
  - Internal RAM, which is loaded from EEPROM
  - External memory device (128 pin package)
- 16 KBytes of On-Chip Code/Data RAM
- Four Programmable BULK/INTERRUPT/ISOCRONOUS Endpoints
  - Buffering options: double, triple, and quad
- Additional Programmable (BULK/INTERRUPT) 64 Byte Endpoint
- 8-bit or 16-bit External Data Interface
- Smart Media Standard ECC Generation
- GPIF (General Programmable Interface)
  - Enables direct connection to most parallel interfaces
  - Programmable waveform descriptors and configuration registers to define waveforms
  - Supports multiple Ready (RDY) inputs and Control (CTL) outputs
- Integrated, Industry Standard Enhanced 8051
  - 48 MHz, 24 MHz, or 12 MHz CPU operation
  - Four clocks per instruction cycle
  - Two USARTS
  - Three counter/timers
  - Expanded interrupt system
  - Two data pointers
- 3.3V Operation with 5V Tolerant Inputs
- Vectored USB Interrupts and GPIF/FIFO Interrupts
- Separate Data Buffers for the Setup and Data Portions of a CONTROL Transfer
- Integrated I<sup>2</sup>C Controller, Runs at 100 or 400 kHz
- Four Integrated FIFOs
  - Integrated glue logic and FIFOs lower system cost
  - Automatic conversion to and from 16-bit buses
  - Master or slave operation
  - Uses external clock or asynchronous strobes
  - Easy interface to ASIC and DSP ICs
- Available in Commercial and Industrial Temperature Grade (all packages except VFBGA)

## Logic Block Diagram



### 1.1 Features (CY7C68013A/14A only)

- CY7C68014A: Ideal for Battery Powered Applications
  - Suspend current: 100  $\mu$ A (typ)
- CY7C68013A: Ideal for Non-battery Powered Applications
  - Suspend current: 300  $\mu$ A (typ)
- Available in Five Pb-free Packages with Up to 40 GPIOs
  - 128-pin TQFP (40 GPIOs), 100-pin TQFP (40 GPIOs), 56-pin QFN (24 GPIOs), 56-pin SSOP (24 GPIOs), and 56-pin VFBGA (24 GPIOs)

### 1.2 Features (CY7C68015A/16A only)

- CY7C68016A: Ideal for Battery Powered Applications
  - Suspend current: 100  $\mu$ A (typ)
- CY7C68015A: Ideal for Non-battery Powered Applications
  - Suspend current: 300  $\mu$ A (typ)
- Available in Pb-free 56-pin QFN Package (26 GPIOs)
  - Two more GPIOs than CY7C68013A/14A enabling additional features in same footprint

Cypress's EZ-USB FX2LP™ (CY7C68013A/14A) is a low power version of the EZ-USB FX2™ (CY7C68013), which is a highly integrated, low power USB 2.0 microcontroller. By integrating the USB 2.0 transceiver, serial interface engine (SIE), enhanced 8051 microcontroller, and a programmable peripheral interface in a single chip,

Cypress has created a cost effective solution that provides superior time-to-market advantages with low power to enable bus powered applications.

The ingenious architecture of FX2LP results in data transfer rates of over 53 Mbytes per second, the maximum allowable USB 2.0 bandwidth, while still using a low cost 8051 microcontroller in a package as small as a 56 VFBGA (5 mm x 5 mm). Because it incorporates the USB 2.0 transceiver, the FX2LP is more economical, providing a smaller footprint solution than USB 2.0 SIE or external transceiver implementations. With EZ-USB FX2LP, the Cypress Smart SIE handles most of the USB 1.1 and 2.0 protocol in hardware, freeing the embedded microcontroller for application specific functions and decreasing development time to ensure USB compatibility.

The General Programmable Interface (GPIF) and Master/Slave Endpoint FIFO (8-bit or 16-bit data bus) provides an easy and glueless interface to popular interfaces such as ATA, UTOPIA, EPP, PCMCIA, and most DSP/processors.

The FX2LP draws less current than the FX2 (CY7C68013), has double the on-chip code/data RAM, and is fit, form and function compatible with the 56, 100, and 128 pin FX2.

Five packages are defined for the family: 56VFBGA, 56 SSOP, 56 QFN, 100 TQFP, and 128 TQFP.

## 2. Applications

- Portable video recorder
- MPEG/TV conversion
- DSL modems
- ATA interface
- Memory card readers
- Legacy conversion devices
- Cameras
- Scanners
- Home PNA
- Wireless LAN
- MP3 players
- Networking

The "Reference Designs" section of the [Cypress web site](http://www.cypress.com) provides additional tools for typical USB 2.0 applications. Each reference design comes complete with firmware source and object code, schematics, and documentation. Visit [www.cypress.com](http://www.cypress.com) for more information.

## 3. Functional Overview

### 3.1 USB Signaling Speed

FX2LP operates at two of the three rates defined in the USB Specification Revision 2.0, dated April 27, 2000:

- Full speed, with a signaling bit rate of 12 Mbps
- High speed, with a signaling bit rate of 480 Mbps.

FX2LP does not support the low speed signaling mode of 1.5 Mbps.

### 3.2 8051 Microprocessor

The 8051 microprocessor embedded in the FX2LP family has 256 bytes of register RAM, an expanded interrupt system, three timer/counters, and two USARTs.

#### 3.2.1 8051 Clock Frequency

FX2LP has an on-chip oscillator circuit that uses an external 24 MHz ( $\pm 100$  ppm) crystal with the following characteristics:

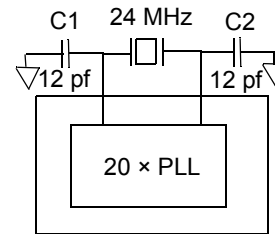
- Parallel resonant
- Fundamental mode
- 500  $\mu$ W drive level
- 12 pF (5% tolerance) load capacitors

An on-chip PLL multiplies the 24 MHz oscillator up to 480 MHz, as required by the transceiver/PHY and internal counters divide it down for use as the 8051 clock. The default 8051 clock frequency is 12 MHz. The clock frequency of the 8051 can be changed by the 8051 through the CPUCS register, dynamically.

#### Note

1. 115 Kbaud operation is also possible by programming the 8051 SMOD0 or SMOD1 bits to a "1" for UART0, UART1, or both respectively.

**Figure 1. Crystal Configuration**



12-pF capacitor values assumes a trace capacitance of 3 pF per side on a four-layer FR4 PCA

The CLKOUT pin, which can be three-stated and inverted using internal control bits, outputs the 50% duty cycle 8051 clock, at the selected 8051 clock frequency: 48 MHz, 24 MHz, or 12 MHz.

#### 3.2.2 USARTS

FX2LP contains two standard 8051 USARTs, addressed through Special Function Register (SFR) bits. The USART interface pins are available on separate I/O pins, and are not multiplexed with port pins.

UART0 and UART1 can operate using an internal clock at 230 Kbaud with no more than 1% baud rate error. 230 Kbaud operation is achieved by an internally derived clock source that generates overflow pulses at the appropriate time. The internal clock adjusts for the 8051 clock rate (48 MHz, 24 MHz, and 12 MHz) such that it always presents the correct frequency for 230 Kbaud operation.<sup>[1]</sup>

#### 3.2.3 Special Function Registers

Certain 8051 SFR addresses are populated to provide fast access to critical FX2LP functions. These SFR additions are shown in [Table 1](#) on page 4. Bold type indicates non standard, enhanced 8051 registers. The two SFR rows that end with "0" and "8" contain bit addressable registers. The four I/O ports A to D use the SFR addresses used in the standard 8051 for ports 0 to 3, which are not implemented in FX2LP. Because of the faster and more efficient SFR addressing, the FX2LP I/O ports are not addressable in external RAM space (using the MOVX instruction).

### 3.3 I<sup>2</sup>C Bus

FX2LP supports the I<sup>2</sup>C bus as a master only at 100/400 KHz. SCL and SDA pins have open-drain outputs and hysteresis inputs. These signals must be pulled up to 3.3V, even if no I<sup>2</sup>C device is connected.

### 3.4 Buses

All packages, 8-bit or 16-bit "FIFO" bidirectional data bus, multiplexed on I/O ports B and D. 128-pin package: adds 16-bit output-only 8051 address bus, 8-bit bidirectional data bus.

**Table 1. Special Function Registers**

x	8x	9x	Ax	Bx	Cx	Dx	Ex	Fx
0	IOA	IOB	IOC	IOD	SCON1	PSW	ACC	B
1	SP	EXIF	INT2CLR	IOE	SBUF1			
2	DPL0	MPAGE	INT4CLR	OEA				
3	DPH0			OEB				
4	DPL1			OEC				
5	DPH1			OED				
6	DPS			OEE				
7	PCON							
8	TCON	SCON0	IE	IP	T2CON	EICON	EIE	EIP
9	TMOD	SBUF0						
A	TL0	AUTOPTRH1	EP2468STAT	EP01STAT	RCAP2L			
B	TL1	AUTOPTRL1	EP24FIFOFLGS	GPIFTRIG	RCAP2H			
C	TH0	reserved	EP68FIFOFLGS		TL2			
D	TH1	AUTOPTRH2		GPIFSGLDATH	TH2			
E	CKCON	AUTOPTRL2		GPIFSGLDATLX				
F		reserved	AUTOPTRSET-UP	GPIFSGLDATLNOX				

### 3.5 USB Boot Methods

During the power up sequence, internal logic checks the I<sup>2</sup>C port for the connection of an EEPROM whose first byte is either 0xC0 or 0xC2. If found, it uses the VID/PID/DID values in the EEPROM in place of the internally stored values (0xC0), or it boot-loads the EEPROM contents into internal RAM (0xC2). If no EEPROM is detected, FX2LP enumerates using internally stored descriptors. The default ID values for FX2LP are VID/PID/DID (0x04B4, 0x8613, 0xAxxx where xxx = Chip revision).<sup>[2]</sup>

**Table 2. Default ID Values for FX2LP**

Default VID/PID/DID		
Vendor ID	0x04B4	Cypress Semiconductor
Product ID	0x8613	EZ-USB FX2LP
Device release	0xAxxx	Depends on chip revision (xxx = chip revision where first silicon = 001)

### 3.6 ReNumeration

Because the FX2LP's configuration is soft, one chip can take on the identities of multiple distinct USB devices.

When first plugged into USB, the FX2LP enumerates automatically and downloads firmware and USB descriptor tables over the USB cable. Next, the FX2LP enumerates again, this time as a device defined by the downloaded information. This patented two step process called ReNumeration™ happens instantly when the device is plugged in, without a hint that the initial download step has occurred.

**Note**

2. The I<sup>2</sup>C bus SCL and SDA pins must be pulled up, even if an EEPROM is not connected. Otherwise this detection method does not work properly.

Two control bits in the USBCS (USB Control and Status) register, control the ReNumeration process: DISCON and RENUM. To simulate a USB disconnect, the firmware sets DISCON to 1. To reconnect, the firmware clears DISCON to 0.

Before reconnecting, the firmware sets or clears the RENUM bit to indicate whether the firmware or the Default USB Device handles device requests over endpoint zero: if RENUM = 0, the Default USB Device handles device requests; if RENUM = 1, the firmware services the requests.

### 3.7 Bus-Powered Applications

The FX2LP fully supports bus powered designs by enumerating with less than 100 mA as required by the USB 2.0 specification.

### 3.8 Interrupt System

#### 3.8.1 INT2 Interrupt Request and Enable Registers

FX2LP implements an autovector feature for INT2 and INT4. There are 27 INT2 (USB) vectors, and 14 INT4 (FIFO/GPIF) vectors. See EZ-USB Technical Reference Manual (TRM) for more details.

#### 3.8.2 USB Interrupt Autovectors

The main USB interrupt is shared by 27 interrupt sources. To save the code and processing time that is required to identify the individual USB interrupt source, the FX2LP provides a second level of interrupt vectoring, called Autovectoring. When a USB interrupt is asserted, the FX2LP pushes the program counter to its stack, and then jumps to the address 0x0043 where it expects to find a "jump" instruction to the USB Interrupt service routine.

The FX2LP jump instruction is encoded as follows:

**Table 3. INT2 USB Interrupts**

USB INTERRUPT TABLE FOR INT2			
Priority	INT2VEC Value	Source	Notes
1	00	SUDAV	Setup Data Available
2	04	SOF	Start of Frame (or microframe)
3	08	SUTOK	Setup Token Received
4	0C	SUSPEND	USB Suspend request
5	10	USB RESET	Bus reset
6	14	HISPEED	Entered high speed operation
7	18	EP0ACK	FX2LP ACK'd the CONTROL Handshake
8	1C		reserved
9	20	EP0-IN	EP0-IN ready to be loaded with data
10	24	EP0-OUT	EP0-OUT has USB data
11	28	EP1-IN	EP1-IN ready to be loaded with data
12	2C	EP1-OUT	EP1-OUT has USB data
13	30	EP2	IN: buffer available. OUT: buffer has data
14	34	EP4	IN: buffer available. OUT: buffer has data
15	38	EP6	IN: buffer available. OUT: buffer has data
16	3C	EP8	IN: buffer available. OUT: buffer has data
17	40	IBN	IN-Bulk-NAK (any IN endpoint)
18	44		reserved
19	48	EP0PING	EP0 OUT was Pinged and it NAK'd
20	4C	EP1PING	EP1 OUT was Pinged and it NAK'd
21	50	EP2PING	EP2 OUT was Pinged and it NAK'd
22	54	EP4PING	EP4 OUT was Pinged and it NAK'd
23	58	EP6PING	EP6 OUT was Pinged and it NAK'd
24	5C	EP8PING	EP8 OUT was Pinged and it NAK'd
25	60	ERRLIMIT	Bus errors exceeded the programmed limit
26	64		
27	68		reserved
28	6C		reserved
29	70	EP2ISOERR	ISO EP2 OUT PID sequence error
30	74	EP4ISOERR	ISO EP4 OUT PID sequence error
31	78	EP6ISOERR	ISO EP6 OUT PID sequence error
32	7C	EP8ISOERR	ISO EP8 OUT PID sequence error

If Autovectoring is enabled (AV2EN = 1 in the INTSET-UP register), the FX2LP substitutes its INT2VEC byte. Therefore, if the high byte (“page”) of a jump table address is preloaded at the location 0x0044, the automatically inserted INT2VEC byte at 0x0045 directs the jump to the correct address out of the 27 addresses within the page.

### 3.8.3 FIFO/GPIF Interrupt (INT4)

Just as the USB Interrupt is shared among 27 individual USB interrupt sources, the FIFO/GPIF interrupt is shared among 14 individual FIFO/GPIF sources. The FIFO/GPIF Interrupt, like the USB Interrupt, can employ autovectoring. Table 4 on page 6 shows the priority and INT4VEC values for the 14 FIFO/GPIF interrupt sources.

**Table 4. Individual FIFO/GPIF Interrupt Sources**

Priority	INT4VEC Value	Source	Notes
1	80	EP2PF	Endpoint 2 Programmable Flag
2	84	EP4PF	Endpoint 4 Programmable Flag
3	88	EP6PF	Endpoint 6 Programmable Flag
4	8C	EP8PF	Endpoint 8 Programmable Flag
5	90	EP2EF	Endpoint 2 Empty Flag
6	94	EP4EF	Endpoint 4 Empty Flag
7	98	EP6EF	Endpoint 6 Empty Flag
8	9C	EP8EF	Endpoint 8 Empty Flag
9	A0	EP2FF	Endpoint 2 Full Flag
10	A4	EP4FF	Endpoint 4 Full Flag
11	A8	EP6FF	Endpoint 6 Full Flag
12	AC	EP8FF	Endpoint 8 Full Flag
13	B0	GPIFDONE	GPIF Operation Complete
14	B4	GPIFWF	GPIF Waveform

If Autovectoring is enabled (AV4EN = 1 in the INTSET-UP register), the FX 2LP substitutes its INT4VEC byte. Therefore, if the high byte (“page”) of a jump-table address is preloaded at location 0x0054, the automatically inserted INT4VEC byte at 0x0055 directs the jump to the correct address out of the 14 addresses within the page. When the ISR occurs, the FX2LP pushes the program counter to its stack then jumps to address 0x0053, where it expects to find a “jump” instruction to the ISR Interrupt service routine.

### 3.9 Reset and Wakeup

#### 3.9.1 Reset Pin

The input pin, RESET#, resets the FX2LP when asserted. This pin has hysteresis and is active LOW. When a crystal is used with the CY7C680xxA the reset period must enable stabilization of the crystal and the PLL. This reset period must be approximately

5 ms after VCC reaches 3.0V. If the crystal input pin is driven by a clock signal the internal PLL stabilizes in 200 μs after VCC has reached 3.0V.<sup>[3]</sup>

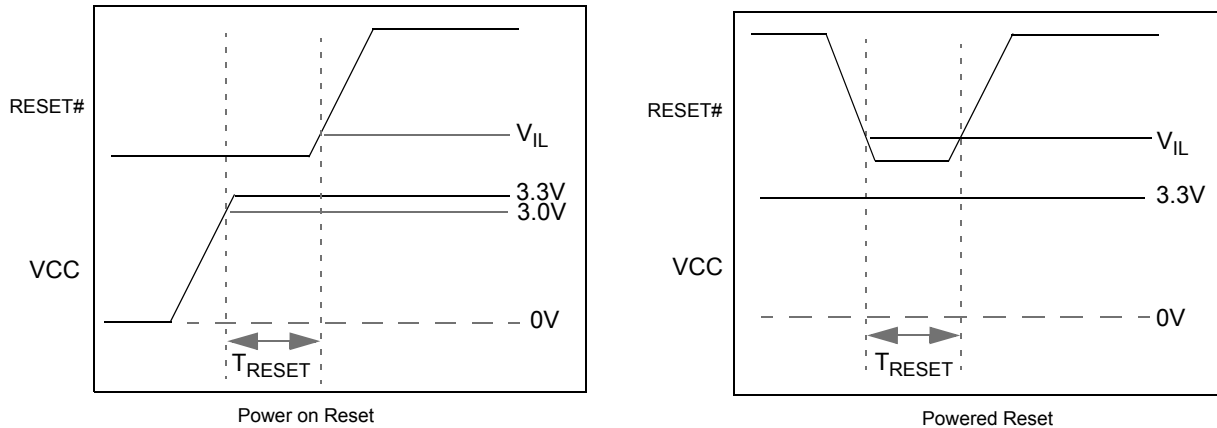
Figure 2 on page 7 shows a power on reset condition and a reset applied during operation. A power on reset is defined as the time reset that is asserted while power is being applied to the circuit. A powered reset is when the FX2LP powered on and operating and the RESET# pin is asserted.

Cypress provides an application note which describes and recommends power on reset implementation. For more information about reset implementation for the FX2 family of products visit <http://www.cypress.com>.

**Note**

3. If the external clock is powered at the same time as the CY7C680xxA and has a stabilization wait period, it must be added to the 200 μs.

**Figure 2. Reset Timing Plots**



**Table 5. Reset Timing Values**

Condition	$T_{RESET}$
Power on Reset with Crystal	5 ms
Power on Reset with External Clock	200 $\mu$ s + Clock stability time
Powered Reset	200 $\mu$ s

### 3.9.2 Wakeup Pins

The 8051 puts itself and the rest of the chip into a power down mode by setting PCON.0 = 1. This stops the oscillator and PLL. When WAKEUP is asserted by external logic the oscillator restarts after the PLL stabilizes, and the 8051 receives a wakeup interrupt. This applies whether or not FX2LP is connected to the USB.

The FX2LP exits the power down (USB suspend) state using one of the following methods:

- USB bus activity (if D+/D- lines are left floating, noise on these lines may indicate activity to the FX2LP and initiate a wakeup)
- External logic asserts the WAKEUP pin
- External logic asserts the PA3/WU2 pin

The second wakeup pin, WU2, can also be configured as a general purpose I/O pin. This enables a simple external R-C network to be used as a periodic wakeup source. WAKEUP is by default active LOW.

## 3.10 Program/Data RAM

### 3.10.1 Size

The FX2LP has 16 KBytes of internal program/data RAM, where PSEN#/RD# signals are internally ORed to enable the 8051 to access it as both program and data memory. No USB control registers appear in this space.

Two memory maps are shown in the following diagrams:

Figure 3 on page 8 shows the Internal Code Memory, EA = 0

Figure 4 on page 9 shows the External Code Memory, EA = 1.

### 3.10.2 Internal Code Memory, EA = 0

This mode implements the internal 16 KByte block of RAM (starting at 0) as combined code and data memory. When external RAM or ROM is added, the external read and write strobes are suppressed for memory spaces that exist inside the chip. This enables the user to connect a 64 KByte memory without requiring address decodes to keep clear of internal memory spaces.

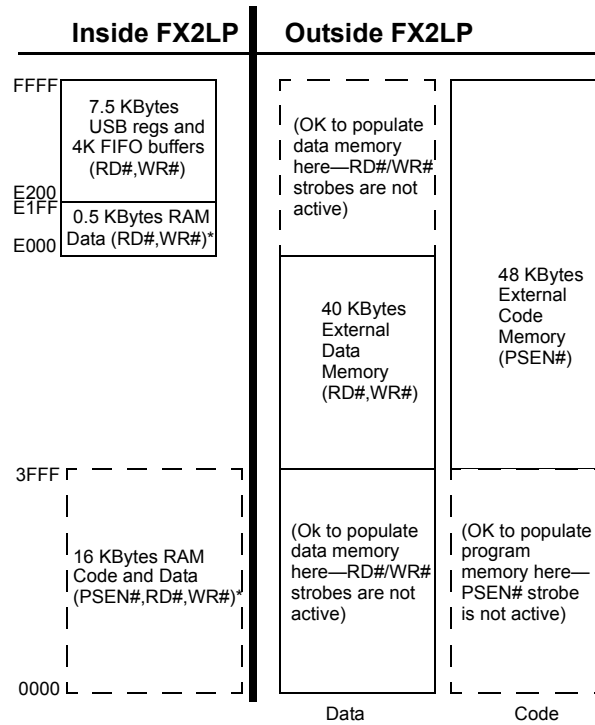
Only the internal 16 KBytes and scratch pad 0.5 KBytes RAM spaces have the following access:

- USB download
- USB upload
- Setup data pointer
- I<sup>2</sup>C interface boot load.

### 3.10.3 External Code Memory, EA = 1

The bottom 16 KBytes of program memory is external and therefore the bottom 16 KBytes of internal RAM is accessible only as a data memory.

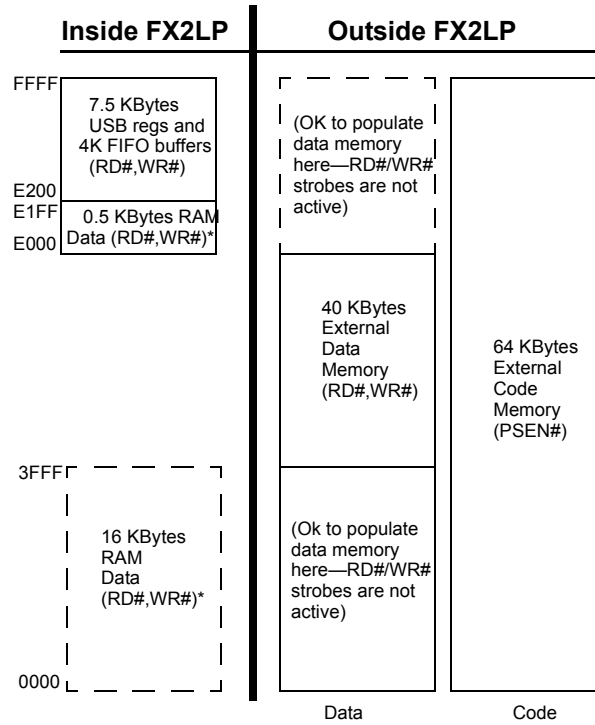
**Figure 3. Internal Code Memory, EA = 0**



\*SUDPTR, USB upload/download, I<sup>2</sup>C interface boot access



**Figure 4. External Code Memory, EA = 1**



\*SUDPTR, USB upload/download, I<sup>2</sup>C interface boot access

### 3.11 Register Addresses

FFFF	4 KBytes EP2-EP8 buffers (8 x 512)
F000	2 KBytes RESERVED
EFFF	
E800	64 Bytes EP1IN
E7FF	
E7C0	64 Bytes EP1OUT
E7BF	
E780	64 Bytes EP0 IN/OUT
E77F	
E740	64 Bytes RESERVED
E73F	
E700	8051 Addressable Registers (512)
E6FF	
E500	Reserved (128)
E4FF	
E480	128 bytes GPIF Waveforms
E47F	
E400	Reserved (512)
E3FF	
E200	512 bytes 8051 xdata RAM
E1FF	
E000	

### 3.12 Endpoint RAM

#### 3.12.1 Size

- 3 × 64 bytes (Endpoints 0 and 1)
- 8 × 512 bytes (Endpoints 2, 4, 6, 8)

#### 3.12.2 Organization

- EP0
- Bidirectional endpoint zero, 64 byte buffer
- EP1IN, EP1OUT
- 64 byte buffers, bulk or interrupt
- EP2, 4, 6, 8
- Eight 512 byte buffers, bulk, interrupt, or isochronous. EP4 and EP8 can be double buffered; EP2 and 6 can be either double, triple, or quad buffered. For high speed endpoint configuration options, see [Figure 5](#).

#### 3.12.3 Setup Data Buffer

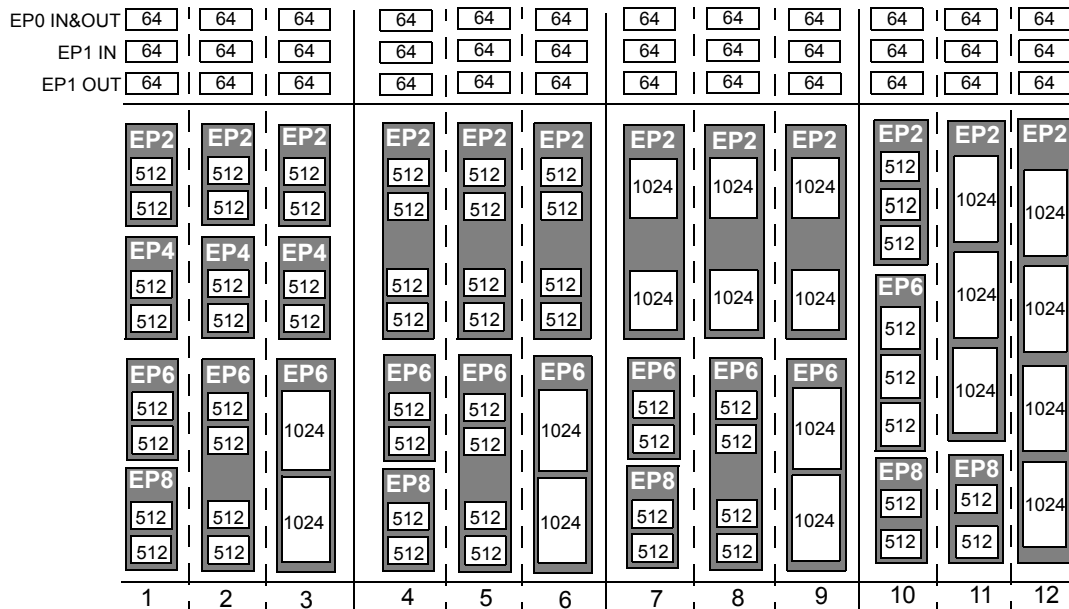
A separate 8 byte buffer at 0xE6B8-0xE6BF holds the setup data from a CONTROL transfer.

#### 3.12.4 Endpoint Configurations (High Speed Mode)

Endpoints 0 and 1 are the same for every configuration. Endpoint 0 is the only CONTROL endpoint, and endpoint 1 can be either BULK or INTERRUPT.

The endpoint buffers can be configured in any 1 of the 12 configurations shown in the vertical columns. When operating in the full speed BULK mode only the first 64 bytes of each buffer are used. For example, in high speed, the max packet size is 512 bytes but in full speed it is 64 bytes. Even though a buffer is configured to a 512 byte buffer, in full speed only the first 64 bytes are used. The unused endpoint buffer space is not available for other operations. An example endpoint configuration is the EP2–1024 double buffered; EP6–512 quad buffered (column 8).

**Figure 5. Endpoint Configuration**



### 3.12.5 Default Full Speed Alternate Settings

**Table 6. Default Full Speed Alternate Settings<sup>[4, 5]</sup>**

Alternate Setting	0	1	2	3
ep0	64	64	64	64
ep1out	0	64 bulk	64 int	64 int
ep1in	0	64 bulk	64 int	64 int
ep2	0	64 bulk out (2×)	64 int out (2×)	64 iso out (2×)
ep4	0	64 bulk out (2×)	64 bulk out (2×)	64 bulk out (2×)
ep6	0	64 bulk in (2×)	64 int in (2×)	64 iso in (2×)
ep8	0	64 bulk in (2×)	64 bulk in (2×)	64 bulk in (2×)

### 3.12.6 Default High Speed Alternate Settings

**Table 7. Default High Speed Alternate Settings<sup>[4, 5]</sup>**

Alternate Setting	0	1	2	3
ep0	64	64	64	64
ep1out	0	512 bulk <sup>[6]</sup>	64 int	64 int
ep1in	0	512 bulk <sup>[6]</sup>	64 int	64 int
ep2	0	512 bulk out (2×)	512 int out (2×)	512 iso out (2×)
ep4	0	512 bulk out (2×)	512 bulk out (2×)	512 bulk out (2×)
ep6	0	512 bulk in (2×)	512 int in (2×)	512 iso in (2×)
ep8	0	512 bulk in (2×)	512 bulk in (2×)	512 bulk in (2×)

## 3.13 External FIFO Interface

### 3.13.1 Architecture

The FX2LP slave FIFO architecture has eight 512 byte blocks in the endpoint RAM that directly serve as FIFO memories and are controlled by FIFO control signals (such as IFCLK, SLCS#, SLRD, SLWR, SLOE, PKTEND, and flags).

In operation, some of the eight RAM blocks fill or empty from the SIE, while the others are connected to the I/O transfer logic. The transfer logic takes two forms, the GPIF for internally generated control signals and the slave FIFO interface for externally controlled transfers.

### 3.13.2 Master/Slave Control Signals

The FX2LP endpoint FIFOS are implemented as eight physically distinct 256x16 RAM blocks. The 8051/SIE can switch any of the RAM blocks between two domains, the USB (SIE) domain and the 8051-I/O Unit domain. This switching is done virtually instantaneously, giving essentially zero transfer time between “USB FIFOS” and “Slave FIFOS.” Because they are physically the same memory no bytes are actually transferred between buffers.

At any given time, some RAM blocks are filling/emptying with USB data under SIE control, while other RAM blocks are available to the 8051, the I/O control unit or both. The RAM blocks operate as single port in the USB domain, and dual port

in the 8051-I/O domain. The blocks can be configured as single, double, triple, or quad buffered as previously shown.

The I/O control unit implements either an internal master (M for master) or external master (S for Slave) interface.

In Master (M) mode, the GPIF internally controls FIFOADR[1..0] to select a FIFO. The RDY pins (two in the 56-pin package, six in the 100-pin and 128-pin packages) can be used as flag inputs from an external FIFO or other logic if desired. The GPIF can be run from either an internally derived clock or externally supplied clock (IFCLK), at a rate that transfers data up to 96 Megabytes/s (48-MHz IFCLK with 16-bit interface).

In Slave (S) mode, the FX2LP accepts either an internally derived clock or externally supplied clock (IFCLK, max frequency 48 MHz) and SLCS#, SLRD, SLWR, SLOE, PKTEND signals from external logic. When using an external IFCLK, the external clock must be present before switching to the external clock with the IFCLKSRC bit. Each endpoint can individually be selected for byte or word operation by an internal configuration bit and a Slave FIFO Output Enable signal SLOE enables data of the selected width. External logic must ensure that the output enable signal is inactive when writing data to a slave FIFO. The slave interface can also operate asynchronously, where the SLRD and SLWR signals act directly as strobes, rather than a clock qualifier as in synchronous mode. The signals SLRD, SLWR, SLOE and PKTEND are gated by the signal SLCS#.

#### Notes

4. “0” means “not implemented.”

5. “2×” means “double buffered.”

6. Even though these buffers are 64 bytes, they are reported as 512 for USB 2.0 compliance. The user must never transfer packets larger than 64 bytes to EP1.

### 3.13.3 GPIF and FIFO Clock Rates

An 8051 register bit selects one of two frequencies for the internally supplied interface clock: 30 MHz and 48 MHz. Alternatively, an externally supplied clock of 5 MHz–48 MHz feeding the IFCLK pin can be used as the interface clock. IFCLK can be configured to function as an output clock when the GPIF and FIFOs are internally clocked. An output enable bit in the IFCONFIG register turns this clock output off, if desired. Another bit within the IFCONFIG register inverts the IFCLK signal whether internally or externally sourced.

## 3.14 GPIF

The GPIF is a flexible 8-bit or 16-bit parallel interface driven by a user programmable finite state machine. It enables the CY7C68013A/15A to perform local bus mastering and can implement a wide variety of protocols such as ATA interface, printer parallel port, and Utopia.

The GPIF has six programmable control outputs (CTL), nine address outputs (GPIFADRx), and six general-purpose ready inputs (RDY). The data bus width can be 8 or 16 bits. Each GPIF vector defines the state of the control outputs, and determines what state a ready input (or multiple inputs) must be before proceeding. The GPIF vector can be programmed to advance a FIFO to the next data value, advance an address, etc. A sequence of the GPIF vectors make up a single waveform that is executed to perform the desired data move between the FX2LP and the external device.

### 3.14.1 Six Control OUT Signals

The 100-pin and 128-pin packages bring out all six Control Output pins (CTL0–CTL5). The 8051 programs the GPIF unit to define the CTL waveforms. The 56-pin package brings out three of these signals, CTL0–CTL2. CTLx waveform edges can be programmed to make transitions as fast as once per clock (20.8 ns using a 48-MHz clock).

### 3.14.2 Six Ready IN Signals

The 100-pin and 128-pin packages bring out all six Ready inputs (RDY0–RDY5). The 8051 programs the GPIF unit to test the RDY pins for GPIF branching. The 56-pin package brings out two of these signals, RDY0–1.

### 3.14.3 Nine GPIF Address OUT Signals

Nine GPIF address lines are available in the 100-pin and 128-pin packages, GPIFADR[8..0]. The GPIF address lines enable indexing through up to a 512 byte block of RAM. If more address lines are needed I/O port pins are used.

### 3.14.4 Long Transfer Mode

In the master mode, the 8051 appropriately sets GPIF transaction count registers (GPIFTCB3, GPIFTCB2, GPIFTCB1, or GPIFTCB0) for unattended transfers of up to 2<sup>32</sup> transactions. The GPIF automatically throttles data flow to prevent under or overflow until the full number of requested transactions complete. The GPIF decrements the value in these registers to represent the current status of the transaction.

## 3.15 ECC Generation<sup>[7]</sup>

The EZ-USB can calculate ECCs (Error Correcting Codes) on data that passes across its GPIF or Slave FIFO interfaces. There are two ECC configurations: Two ECCs, each calculated over 256 bytes (SmartMedia Standard); and one ECC calculated over 512 bytes.

The ECC can correct any one-bit error or detect any two-bit error.

### 3.15.1 ECC Implementation

The two ECC configurations are selected by the ECCM bit:

#### ECCM = 0

Two 3 byte ECCs, each calculated over a 256 byte block of data. This configuration conforms to the SmartMedia Standard.

Write any value to ECCRESET, then pass data across the GPIF or Slave FIFO interface. The ECC for the first 256 bytes of data is calculated and stored in ECC1. The ECC for the next 256 bytes is stored in ECC2. After the second ECC is calculated, the values in the ECCx registers do not change until ECCRESET is written again, even if more data is subsequently passed across the interface.

#### ECCM = 1

One 3 byte ECC calculated over a 512 byte block of data.

Write any value to ECCRESET then pass data across the GPIF or Slave FIFO interface. The ECC for the first 512 bytes of data is calculated and stored in ECC1; ECC2 is unused. After the ECC is calculated, the values in ECC1 do not change even if more data is subsequently passed across the interface, till ECCRESET is written again.

## 3.16 USB Uploads and Downloads

The core has the ability to directly edit the data contents of the internal 16 KByte RAM and of the internal 512 byte scratch pad RAM via a vendor specific command. This capability is normally used when soft downloading user code and is available only to and from internal RAM, only when the 8051 is held in reset. The available RAM spaces are 16 KBytes from 0x0000–0x3FFF (code/data) and 512 bytes from 0xE000–0xE1FF (scratch pad data RAM).<sup>[8]</sup>

## 3.17 Autopointer Access

FX2LP provides two identical autopointers. They are similar to the internal 8051 data pointers but with an additional feature: they can optionally increment after every memory access. This capability is available to and from both internal and external RAM. The autopointers are available in external FX2LP registers under control of a mode bit (AUTOPTRESET-UP.0). Using the external FX2LP autopointer access (at 0xE67B – 0xE67C) enables the autopointer to access all internal and external RAM to the part.

Also, the autopointers can point to any FX2LP register or endpoint buffer space. When autopointer access to external memory is enabled, location 0xE67B and 0xE67C in XDATA and code space cannot be used.

## Notes

7. To use the ECC logic, the GPIF or Slave FIFO interface must be configured for byte-wide operation.
8. After the data has been downloaded from the host, a “loader” can execute from internal RAM to transfer downloaded data to external memory.

### 3.18 I<sup>2</sup>C Controller

FX2LP has one I<sup>2</sup>C port that is driven by two internal controllers, one that automatically operates at boot time to load VID/PID/DID and configuration information, and another that the 8051 uses when running to control external I<sup>2</sup>C devices. The I<sup>2</sup>C port operates in master mode only.

#### 3.18.1 I<sup>2</sup>C Port Pins

The I<sup>2</sup>C pins SCL and SDA must have external 2.2 kΩ pull up resistors even if no EEPROM is connected to the FX2LP. External EEPROM device address pins must be configured properly. See [Table 8](#) for configuring the device address pins.

**Table 8. Strap Boot EEPROM Address Lines to These Values**

Bytes	Example EEPROM	A2	A1	A0
16	24LC00 <sup>[9]</sup>	N/A	N/A	N/A
128	24LC01	0	0	0
256	24LC02	0	0	0
4K	24LC32	0	0	1
8K	24LC64	0	0	1
16K	24LC128	0	0	1

**Table 9. Part Number Conversion Table**

EZ-USB FX2 Part Number	EZ-USB FX2LP Part Number	Package Description
CY7C68013-56PVC	CY7C68013A-56PVXC or CY7C68014A-56PVXC	56-pin SSOP
CY7C68013-56PVCT	CY7C68013A-56PVXCT or CY7C68014A-56PVXCT	56-pin SSOP – Tape and Reel
CY7C68013-56LFC	CY7C68013A-56LFXC or CY7C68014A-56LFXC	56-pin QFN
CY7C68013-100AC	CY7C68013A-100AXC or CY7C68014A-100AXC	100-pin TQFP
CY7C68013-128AC	CY7C68013A-128AXC or CY7C68014A-128AXC	128-pin TQFP

**Note**

9. This EEPROM does not have address pins.

#### 3.18.2 I<sup>2</sup>C Interface Boot Load Access

At power on reset the I<sup>2</sup>C interface boot loader loads the VID/PID/DID configuration bytes and up to 16 KBytes of program/data. The available RAM spaces are 16 KBytes from 0x0000–0x3FFF and 512 bytes from 0xE000–0xE1FF. The 8051 is in reset. I<sup>2</sup>C interface boot loads only occur after power on reset.

#### 3.18.3 I<sup>2</sup>C Interface General-Purpose Access

The 8051 can control peripherals connected to the I<sup>2</sup>C bus using the I<sup>2</sup>CTL and I2DAT registers. FX2LP provides I<sup>2</sup>C master control only, it is never an I<sup>2</sup>C slave.

### 3.19 Compatible with Previous Generation EZ-USB FX2

The EZ-USB FX2LP is form, fit and with minor exceptions functionally compatible with its predecessor, the EZ-USB FX2. This makes for an easy transition for designers wanting to upgrade their systems from the FX2 to the FX2LP. The pinout and package selection are identical and a vast majority of firmware previously developed for the FX2 functions in the FX2LP.

For designers migrating from the FX2 to the FX2LP a change in the bill of material and review of the memory allocation (due to increased internal memory) is required. For more information about migrating from EZ-USB FX2 to EZ-USB FX2LP, see the application note titled *Migrating from EZ-USB FX2 to EZ-USB FX2LP* available in the [Cypress web site](#).

### 3.20 CY7C68013A/14A and CY7C68015A/16A Differences

CY7C68013A is identical to CY7C68014A in form, fit, and functionality. CY7C68015A is identical to CY7C68016A in form, fit, and functionality. CY7C68014A and CY7C68016A have a lower suspend current than CY7C68013A and CY7C68015A respectively and are ideal for power sensitive battery applications.

CY7C68015A and CY7C68016A are available in 56-pin QFN package only. Two additional GPIO signals are available on the CY7C68015A and CY7C68016A to provide more flexibility when neither IFCLK or CLKOUT are needed in the 56-pin package.

USB developers wanting to convert their FX2 56-pin application to a bus-powered system directly benefit from these additional signals. The two GPIOs give developers the signals they need for the power control circuitry of their bus-powered application without pushing them to a high pincount version of FX2LP.

The CY7C68015A is only available in the 56-pin QFN package

**Table 10. CY7C68013A/14A and CY7C68015A/16A Pin Differences**

CY7C68013A/CY7C68014A	CY7C68015A/CY7C68016A
IFCLK	PE0
CLKOUT	PE1

## 4. Pin Assignments

Figure 6 on page 15 identifies all signals for the five package types. The following pages illustrate the individual pin diagrams, plus a combination diagram showing which of the full set of signals are available in the 128-pin, 100-pin, and 56-pin packages.

The signals on the left edge of the 56-pin package in Figure 6 on page 15 are common to all versions in the FX2LP family with the noted differences between the CY7C68013A/14A and the CY7C68015A/16A.

Three modes are available in all package versions: Port, GPIF master, and Slave FIFO. These modes define the signals on the right edge of the diagram. The 8051 selects the interface mode using the IFCONFIG[1:0] register bits. Port mode is the power on default configuration.

The 100-pin package adds functionality to the 56-pin package by adding these pins:

- PORTC or alternate GPIFADR[7:0] address signals
- PORTE or alternate GPIFADR[8] address signal and seven additional 8051 signals
- Three GPIF Control signals
- Four GPIF Ready signals
- Nine 8051 signals (two USARTs, three timer inputs, INT4, and INT5#)
- BKPT, RD#, WR#.

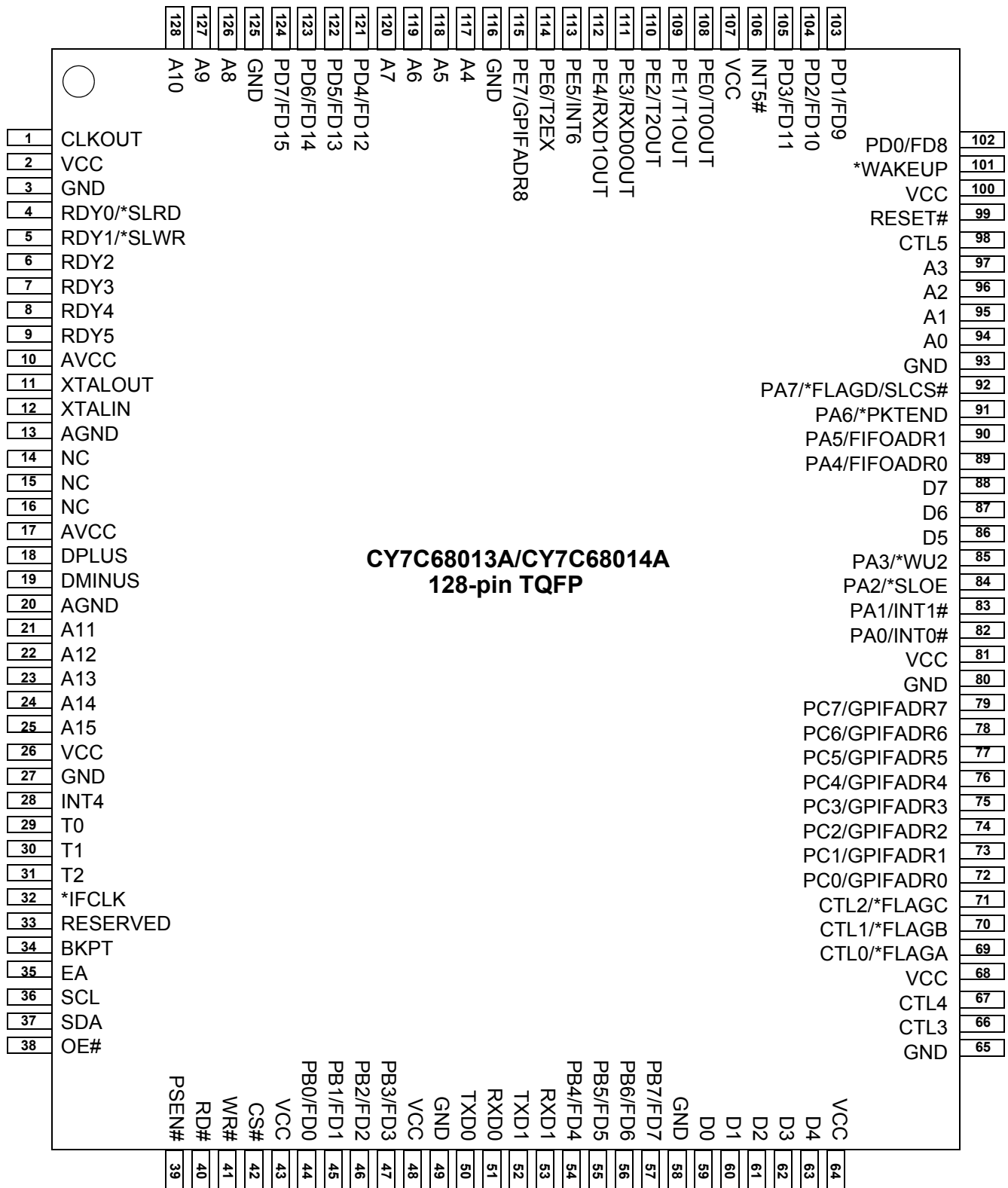
The 128-pin package adds the 8051 address and data buses plus control signals. Note that two of the required signals, RD# and WR#, are present in the 100-pin version.

In the 100-pin and 128-pin versions, an 8051 control bit can be set to pulse the RD# and WR# pins when the 8051 reads from/writes to PORTC. This feature is enabled by setting PORTCSTB bit in CPUCS register.

Section 10.5 displays the timing diagram of the read and write strobing function on accessing PORTC.



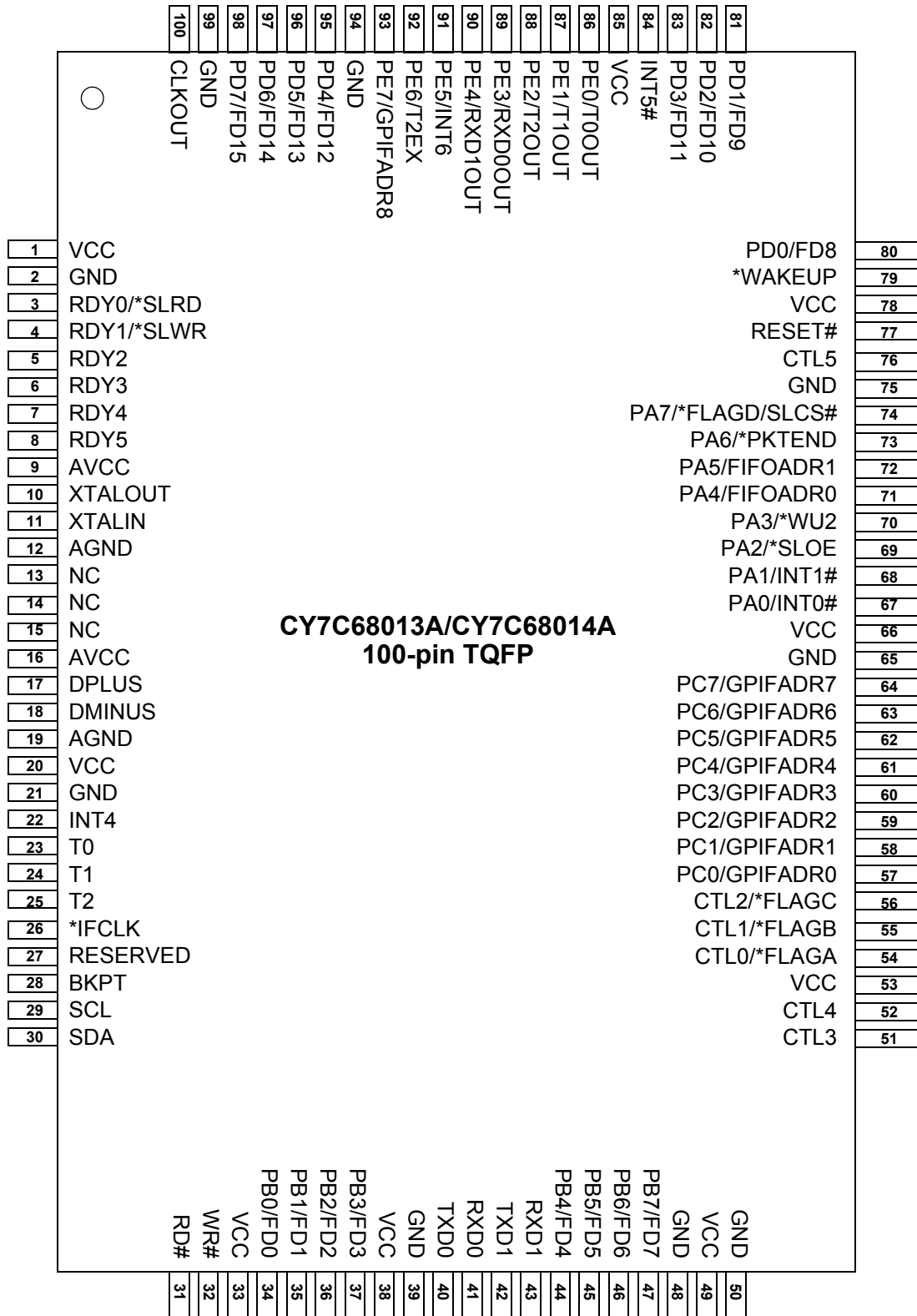
**Figure 7. CY7C68013A/CY7C68014A 128-pin TQFP Pin Assignment**



\* denotes programmable polarity



**Figure 8. CY7C68013A/CY7C68014A 100-pin TQFP Pin Assignment**



\* denotes programmable polarity

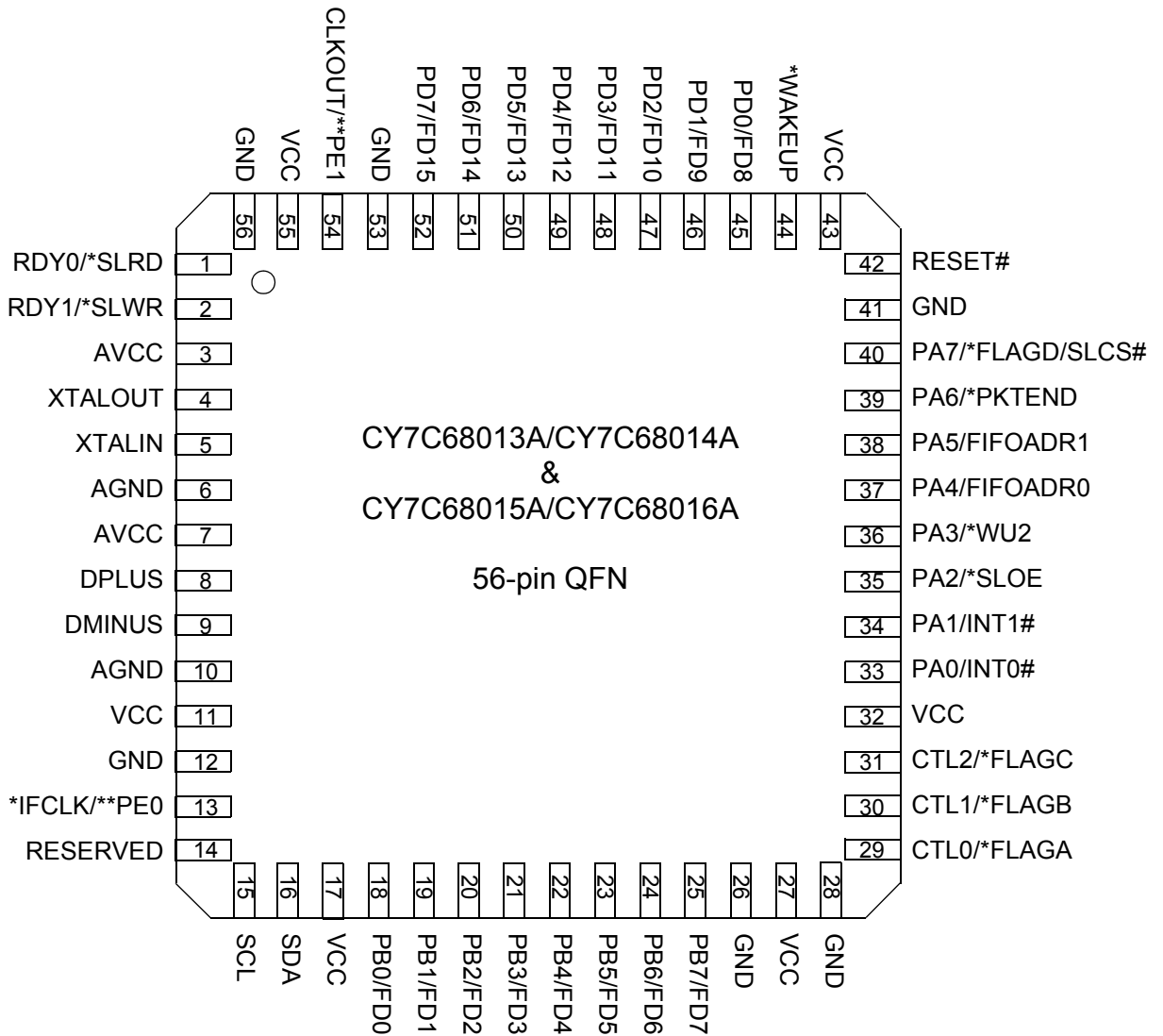
**Figure 9. CY7C68013A/CY7C68014A 56-pin SSOP Pin Assignment**

**CY7C68013A/CY7C68014A  
56-pin SSOP**

1	PD5/FD13	PD4/FD12	56
2	PD6/FD14	PD3/FD11	55
3	PD7/FD15	PD2/FD10	54
4	GND	PD1/FD9	53
5	CLKOUT	PD0/FD8	52
6	VCC	*WAKEUP	51
7	GND	VCC	50
8	RDY0/*SLRD	RESET#	49
9	RDY1/*SLWR	GND	48
10	AVCC	PA7/*FLAGD/SLCS#	47
11	XTALOUT	PA6/PKTEND	46
12	XTALIN	PA5/FIFOADR1	45
13	AGND	PA4/FIFOADR0	44
14	AVCC	PA3/*WU2	43
15	DPLUS	PA2/*SLOE	42
16	DMINUS	PA1/INT1#	41
17	AGND	PA0/INT0#	40
18	VCC	VCC	39
19	GND	CTL2/*FLAGC	38
20	*IFCLK	CTL1/*FLAGB	37
21	RESERVED	CTL0/*FLAGA	36
22	SCL	GND	35
23	SDA	VCC	34
24	VCC	GND	33
25	PB0/FD0	PB7/FD7	32
26	PB1/FD1	PB6/FD6	31
27	PB2/FD2	PB5/FD5	30
28	PB3/FD3	PB4/FD4	29

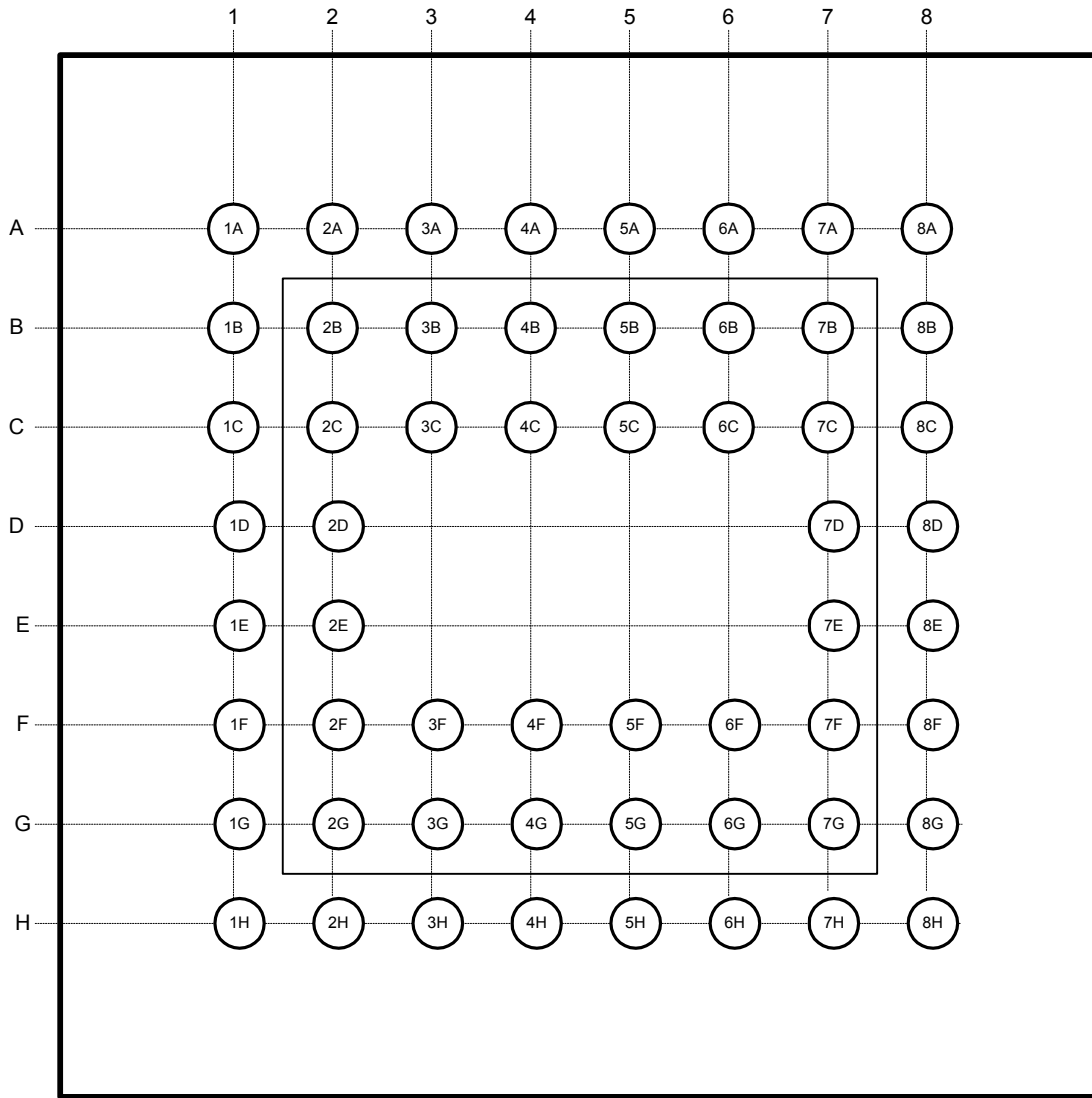
\* denotes programmable polarity

**Figure 10. CY7C68013A/14A/15A/16A 56-pin QFN Pin Assignment**



\* denotes programmable polarity  
\*\* denotes CY7C68015A/CY7C68016A pinout

**Figure 11. CY7C68013A 56-pin VFBGA Pin Assignment - Top View**



**4.1 CY7C68013A/15A Pin Descriptions**

The FX2LP Pin Descriptions follows.<sup>[10]</sup>

**Table 11. FX2LP Pin Descriptions**

128 TQFP	100 TQFP	56 SSOP	56 QFN	56 VF-BGA	Name	Type	Default	Description
10	9	10	3	2D	AVCC	Power	N/A	<b>Analog VCC.</b> Connect this pin to 3.3V power source. This signal provides power to the analog section of the chip.
17	16	14	7	1D	AVCC	Power	N/A	<b>Analog VCC.</b> Connect this pin to 3.3V power source. This signal provides power to the analog section of the chip.
13	12	13	6	2F	AGND	Ground	N/A	<b>Analog Ground.</b> Connect to ground with as short a path as possible.
20	19	17	10	1F	AGND	Ground	N/A	<b>Analog Ground.</b> Connect to ground with as short a path as possible.
19	18	16	9	1E	DMINUS	I/O/Z	Z	<b>USB D- Signal.</b> Connect to the USB D- signal.
18	17	15	8	2E	DPLUS	I/O/Z	Z	<b>USB D+ Signal.</b> Connect to the USB D+ signal.
94					A0	Output	L	<b>8051 Address Bus.</b> This bus is driven at all times. When the 8051 is addressing internal RAM it reflects the internal address.
95					A1	Output	L	
96					A2	Output	L	
97					A3	Output	L	
117					A4	Output	L	
118					A5	Output	L	
119					A6	Output	L	
120					A7	Output	L	
126					A8	Output	L	
127					A9	Output	L	
128					A10	Output	L	
21					A11	Output	L	
22					A12	Output	L	
23					A13	Output	L	
24					A14	Output	L	
25					A15	Output	L	
59					D0	I/O/Z	Z	<b>8051 Data Bus.</b> This bidirectional bus is high impedance when inactive, input for bus reads, and output for bus writes. The data bus is used for external 8051 program and data memory. The data bus is active only for external bus accesses, and is driven LOW in suspend.
60					D1	I/O/Z	Z	
61					D2	I/O/Z	Z	
62					D3	I/O/Z	Z	
63					D4	I/O/Z	Z	
86					D5	I/O/Z	Z	
87					D6	I/O/Z	Z	
88					D7	I/O/Z	Z	
39					PSEN#	Output	H	<b>Program Store Enable.</b> This active-LOW signal indicates an 8051 code fetch from external memory. It is active for program memory fetches from 0x4000-0xFFFF when the EA pin is LOW, or from 0x0000-0xFFFF when the EA pin is HIGH.

**Note**

10. Unused inputs must not be left floating. Tie either HIGH or LOW as appropriate. Outputs should only be pulled up or down to ensure signals at power up and in standby. Note also that no pins should be driven while the device is powered down.

**Table 11. FX2LP Pin Descriptions (continued)**

128 TQFP	100 TQFP	56 SSOP	56 QFN	56 VF-BGA	Name	Type	Default	Description
34	28				BKPT	Output	L	<b>Breakpoint.</b> This pin goes active (HIGH) when the 8051 address bus matches the BPADDRH/L registers and breakpoints are enabled in the BREAKPT register (BPEN = 1). If the BPPULSE bit in the BREAKPT register is HIGH, this signal pulses HIGH for eight 12-/24-/48-MHz clocks. If the BPPULSE bit is LOW, the signal remains HIGH until the 8051 clears the BREAK bit (by writing 1 to it) in the BREAKPT register.
99	77	49	42	8B	RESET#	Input	N/A	<b>Active LOW Reset.</b> Resets the entire chip. See section 3.9 "Reset and Wakeup" on page 6 for more details.
35					EA	Input	N/A	<b>External Access.</b> This pin determines where the 8051 fetches code between addresses 0x0000 and 0x3FFF. If EA = 0 the 8051 fetches this code from its internal RAM. If EA = 1 the 8051 fetches this code from external memory.
12	11	12	5	1C	XTALIN	Input	N/A	<b>Crystal Input.</b> Connect this signal to a 24-MHz parallel-resonant, fundamental mode crystal and load capacitor to GND. It is also correct to drive XTALIN with an external 24-MHz square wave derived from another clock source. When driving from an external source, the driving signal should be a 3.3V square wave.
11	10	11	4	2C	XTALOUT	Output	N/A	<b>Crystal Output.</b> Connect this signal to a 24-MHz parallel-resonant, fundamental mode crystal and load capacitor to GND. If an external clock is used to drive XTALIN, leave this pin open.
1	100	5	54	2B	CLKOUT on CY7C68013A and CY7C68014A	O/Z	12 MHz	<b>CLKOUT:</b> 12-, 24- or 48-MHz clock, phase locked to the 24-MHz input clock. The 8051 defaults to 12-MHz operation. The 8051 may three-state this output by setting CPUCS.1 = 1.
					PE1 on CY7C68015A and CY7C68016A	I/O/Z	I	<b>PE1</b> is a bidirectional I/O port pin.
<b>Port A</b>								
82	67	40	33	8G	PA0 or INT0#	I/O/Z	I (PA0)	Multiplexed pin whose function is selected by PORTACFG.0 <b>PA0</b> is a bidirectional I/O port pin. <b>INT0#</b> is the active-LOW 8051 INT0 interrupt input signal, which is either edge triggered (IT0 = 1) or level triggered (IT0 = 0).
83	68	41	34	6G	PA1 or INT1#	I/O/Z	I (PA1)	Multiplexed pin whose function is selected by: PORTACFG.1 <b>PA1</b> is a bidirectional I/O port pin. <b>INT1#</b> is the active-LOW 8051 INT1 interrupt input signal, which is either edge triggered (IT1 = 1) or level triggered (IT1 = 0).
84	69	42	35	8F	PA2 or SLOE or	I/O/Z	I (PA2)	Multiplexed pin whose function is selected by two bits: IFCONFIG[1:0]. <b>PA2</b> is a bidirectional I/O port pin. <b>SLOE</b> is an input-only output enable with programmable polarity (FIFOPINPOLAR.4) for the slave FIFOs connected to FD[7..0] or FD[15..0].

**Table 11. FX2LP Pin Descriptions** (continued)

128 TQFP	100 TQFP	56 SSOP	56 QFN	56 VF-BGA	Name	Type	Default	Description
85	70	43	36	7F	PA3 or WU2	I/O/Z	I (PA3)	Multiplexed pin whose function is selected by: WAKEUP.7 and OEA.3 <b>PA3</b> is a bidirectional I/O port pin. <b>WU2</b> is an alternate source for <b>USB Wakeup</b> , enabled by WU2EN bit (WAKEUP.1) and polarity set by WU2POL (WAKEUP.4). If the 8051 is in suspend and WU2EN = 1, a transition on this pin starts up the oscillator and interrupts the 8051 to enable it to exit the suspend mode. Asserting this pin inhibits the chip from suspending, if WU2EN = 1.
89	71	44	37	6F	PA4 or FIFOADR0	I/O/Z	I (PA4)	Multiplexed pin whose function is selected by: IFCONFIG[1..0]. <b>PA4</b> is a bidirectional I/O port pin. <b>FIFOADR0</b> is an input-only address select for the slave FIFOs connected to FD[7..0] or FD[15..0].
90	72	45	38	8C	PA5 or FIFOADR1	I/O/Z	I (PA5)	Multiplexed pin whose function is selected by: IFCONFIG[1..0]. <b>PA5</b> is a bidirectional I/O port pin. <b>FIFOADR1</b> is an input-only address select for the slave FIFOs connected to FD[7..0] or FD[15..0].
91	73	46	39	7C	PA6 or PKTEND	I/O/Z	I (PA6)	Multiplexed pin whose function is selected by the IFCONFIG[1:0] bits. <b>PA6</b> is a bidirectional I/O port pin. <b>PKTEND</b> is an input used to commit the FIFO packet data to the endpoint and whose polarity is programmable via FIFOPINPOLAR.5.
92	74	47	40	6C	PA7 or FLAGD or SLCS#	I/O/Z	I (PA7)	Multiplexed pin whose function is selected by the IFCONFIG[1:0] and PORTACFG.7 bits. <b>PA7</b> is a bidirectional I/O port pin. <b>FLAGD</b> is a programmable slave-FIFO output status flag signal. <b>SLCS#</b> gates all other slave FIFO enable/strobes
<b>Port B</b>								
44	34	25	18	3H	PB0 or FD[0]	I/O/Z	I (PB0)	Multiplexed pin whose function is selected by the following bits: IFCONFIG[1..0]. <b>PB0</b> is a bidirectional I/O port pin. <b>FD[0]</b> is the bidirectional FIFO/GPIF data bus.
45	35	26	19	4F	PB1 or FD[1]	I/O/Z	I (PB1)	Multiplexed pin whose function is selected by the following bits: IFCONFIG[1..0]. <b>PB1</b> is a bidirectional I/O port pin. <b>FD[1]</b> is the bidirectional FIFO/GPIF data bus.
46	36	27	20	4H	PB2 or FD[2]	I/O/Z	I (PB2)	Multiplexed pin whose function is selected by the following bits: IFCONFIG[1..0]. <b>PB2</b> is a bidirectional I/O port pin. <b>FD[2]</b> is the bidirectional FIFO/GPIF data bus.
47	37	28	21	4G	PB3 or FD[3]	I/O/Z	I (PB3)	Multiplexed pin whose function is selected by the following bits: IFCONFIG[1..0]. <b>PB3</b> is a bidirectional I/O port pin. <b>FD[3]</b> is the bidirectional FIFO/GPIF data bus.
54	44	29	22	5H	PB4 or FD[4]	I/O/Z	I (PB4)	Multiplexed pin whose function is selected by the following bits: IFCONFIG[1..0]. <b>PB4</b> is a bidirectional I/O port pin. <b>FD[4]</b> is the bidirectional FIFO/GPIF data bus.

**Table 11. FX2LP Pin Descriptions (continued)**

128 TQFP	100 TQFP	56 SSOP	56 QFN	56 VF-BGA	Name	Type	Default	Description
55	45	30	23	5G	PB5 or FD[5]	I/O/Z	1 (PB5)	Multiplexed pin whose function is selected by the following bits: IFCONFIG[1..0]. <b>PB5</b> is a bidirectional I/O port pin. <b>FD[5]</b> is the bidirectional FIFO/GPIF data bus.
56	46	31	24	5F	PB6 or FD[6]	I/O/Z	1 (PB6)	Multiplexed pin whose function is selected by the following bits: IFCONFIG[1..0]. <b>PB6</b> is a bidirectional I/O port pin. <b>FD[6]</b> is the bidirectional FIFO/GPIF data bus.
57	47	32	25	6H	PB7 or FD[7]	I/O/Z	1 (PB7)	Multiplexed pin whose function is selected by the following bits: IFCONFIG[1..0]. <b>PB7</b> is a bidirectional I/O port pin. <b>FD[7]</b> is the bidirectional FIFO/GPIF data bus.
<b>PORT C</b>								
72	57				PC0 or GPIFADR0	I/O/Z	1 (PC0)	Multiplexed pin whose function is selected by PORTCCFG.0 <b>PC0</b> is a bidirectional I/O port pin. <b>GPIFADR0</b> is a GPIF address output pin.
73	58				PC1 or GPIFADR1	I/O/Z	1 (PC1)	Multiplexed pin whose function is selected by PORTCCFG.1 <b>PC1</b> is a bidirectional I/O port pin. <b>GPIFADR1</b> is a GPIF address output pin.
74	59				PC2 or GPIFADR2	I/O/Z	1 (PC2)	Multiplexed pin whose function is selected by PORTCCFG.2 <b>PC2</b> is a bidirectional I/O port pin. <b>GPIFADR2</b> is a GPIF address output pin.
75	60				PC3 or GPIFADR3	I/O/Z	1 (PC3)	Multiplexed pin whose function is selected by PORTCCFG.3 <b>PC3</b> is a bidirectional I/O port pin. <b>GPIFADR3</b> is a GPIF address output pin.
76	61				PC4 or GPIFADR4	I/O/Z	1 (PC4)	Multiplexed pin whose function is selected by PORTCCFG.4 <b>PC4</b> is a bidirectional I/O port pin. <b>GPIFADR4</b> is a GPIF address output pin.
77	62				PC5 or GPIFADR5	I/O/Z	1 (PC5)	Multiplexed pin whose function is selected by PORTCCFG.5 <b>PC5</b> is a bidirectional I/O port pin. <b>GPIFADR5</b> is a GPIF address output pin.
78	63				PC6 or GPIFADR6	I/O/Z	1 (PC6)	Multiplexed pin whose function is selected by PORTCCFG.6 <b>PC6</b> is a bidirectional I/O port pin. <b>GPIFADR6</b> is a GPIF address output pin.
79	64				PC7 or GPIFADR7	I/O/Z	1 (PC7)	Multiplexed pin whose function is selected by PORTCCFG.7 <b>PC7</b> is a bidirectional I/O port pin. <b>GPIFADR7</b> is a GPIF address output pin.
<b>PORT D</b>								
102	80	52	45	8A	PD0 or FD[8]	I/O/Z	1 (PD0)	Multiplexed pin whose function is selected by the IFCONFIG[1..0] and EPxFIFOCFG.0 (wordwide) bits. <b>FD[8]</b> is the bidirectional FIFO/GPIF data bus.
103	81	53	46	7A	PD1 or FD[9]	I/O/Z	1 (PD1)	Multiplexed pin whose function is selected by the IFCONFIG[1..0] and EPxFIFOCFG.0 (wordwide) bits. <b>FD[9]</b> is the bidirectional FIFO/GPIF data bus.



**Table 11. FX2LP Pin Descriptions** (continued)

128 TQFP	100 TQFP	56 SSOP	56 QFN	56 VF-BGA	Name	Type	Default	Description
104	82	54	47	6B	PD2 or FD[10]	I/O/Z	I (PD2)	Multiplexed pin whose function is selected by the IFCONFIG[1..0] and EPxFIFOCFG.0 (wordwide) bits. <b>FD[10]</b> is the bidirectional FIFO/GPIF data bus.
105	83	55	48	6A	PD3 or FD[11]	I/O/Z	I (PD3)	Multiplexed pin whose function is selected by the IFCONFIG[1..0] and EPxFIFOCFG.0 (wordwide) bits. <b>FD[11]</b> is the bidirectional FIFO/GPIF data bus.
121	95	56	49	3B	PD4 or FD[12]	I/O/Z	I (PD4)	Multiplexed pin whose function is selected by the IFCONFIG[1..0] and EPxFIFOCFG.0 (wordwide) bits. <b>FD[12]</b> is the bidirectional FIFO/GPIF data bus.
122	96	1	50	3A	PD5 or FD[13]	I/O/Z	I (PD5)	Multiplexed pin whose function is selected by the IFCONFIG[1..0] and EPxFIFOCFG.0 (wordwide) bits. <b>FD[13]</b> is the bidirectional FIFO/GPIF data bus.
123	97	2	51	3C	PD6 or FD[14]	I/O/Z	I (PD6)	Multiplexed pin whose function is selected by the IFCONFIG[1..0] and EPxFIFOCFG.0 (wordwide) bits. <b>FD[14]</b> is the bidirectional FIFO/GPIF data bus.
124	98	3	52	2A	PD7 or FD[15]	I/O/Z	I (PD7)	Multiplexed pin whose function is selected by the IFCONFIG[1..0] and EPxFIFOCFG.0 (wordwide) bits. <b>FD[15]</b> is the bidirectional FIFO/GPIF data bus.
<b>Port E</b>								
108	86				PE0 or T0OUT	I/O/Z	I (PE0)	Multiplexed pin whose function is selected by the PORTECFG.0 bit. <b>PE0</b> is a bidirectional I/O port pin. <b>T0OUT</b> is an active-HIGH signal from 8051 Timer-counter0. T0OUT outputs a high level for one CLKOUT clock cycle when Timer0 overflows. If Timer0 is operated in Mode 3 (two separate timer/counters), T0OUT is active when the low byte timer/counter overflows.
109	87				PE1 or T1OUT	I/O/Z	I (PE1)	Multiplexed pin whose function is selected by the PORTECFG.1 bit. <b>PE1</b> is a bidirectional I/O port pin. <b>T1OUT</b> is an active-HIGH signal from 8051 Timer-counter1. T1OUT outputs a high level for one CLKOUT clock cycle when Timer1 overflows. If Timer1 is operated in Mode 3 (two separate timer/counters), T1OUT is active when the low byte timer/counter overflows.
110	88				PE2 or T2OUT	I/O/Z	I (PE2)	Multiplexed pin whose function is selected by the PORTECFG.2 bit. <b>PE2</b> is a bidirectional I/O port pin. <b>T2OUT</b> is the active-HIGH output signal from 8051 Timer2. T2OUT is active (HIGH) for one clock cycle when Timer/Counter 2 overflows.
111	89				PE3 or RXD0OUT	I/O/Z	I (PE3)	Multiplexed pin whose function is selected by the PORTECFG.3 bit. <b>PE3</b> is a bidirectional I/O port pin. <b>RXD0OUT</b> is an active-HIGH signal from 8051 UART0. If RXD0OUT is selected and UART0 is in Mode 0, this pin provides the output data for UART0 only when it is in sync mode. Otherwise it is a 1.

**Table 11. FX2LP Pin Descriptions** (continued)

128 TQFP	100 TQFP	56 SSOP	56 QFN	56 VF-BGA	Name	Type	Default	Description
112	90				PE4 or RXD1OUT	I/O/Z	I (PE4)	Multiplexed pin whose function is selected by the PORTECFG.4 bit. <b>PE4</b> is a bidirectional I/O port pin. <b>RXD1OUT</b> is an active-HIGH output from 8051 UART1. When RXD1OUT is selected and UART1 is in Mode 0, this pin provides the output data for UART1 only when it is in sync mode. In Modes 1, 2, and 3, this pin is HIGH.
113	91				PE5 or INT6	I/O/Z	I (PE5)	Multiplexed pin whose function is selected by the PORTECFG.5 bit. <b>PE5</b> is a bidirectional I/O port pin. <b>INT6</b> is the 8051 INT6 interrupt request input signal. The INT6 pin is edge-sensitive, active HIGH.
114	92				PE6 or T2EX	I/O/Z	I (PE6)	Multiplexed pin whose function is selected by the PORTECFG.6 bit. <b>PE6</b> is a bidirectional I/O port pin. <b>T2EX</b> is an active-HIGH input signal to the 8051 Timer2. T2EX reloads timer 2 on its falling edge. T2EX is active only if the EXEN2 bit is set in T2CON.
115	93				PE7 or GPIFADR8	I/O/Z	I (PE7)	Multiplexed pin whose function is selected by the PORTECFG.7 bit. <b>PE7</b> is a bidirectional I/O port pin. <b>GPIFADR8</b> is a GPIF address output pin.
4	3	8	1	1A	RDY0 or SLRD	Input	N/A	Multiplexed pin whose function is selected by the following bits: IFCONFIG[1..0]. <b>RDY0</b> is a GPIF input signal. <b>SLRD</b> is the input-only read strobe with programmable polarity (FIFOPINPOLAR.3) for the slave FIFOs connected to FD[7..0] or FD[15..0].
5	4	9	2	1B	RDY1 or SLWR	Input	N/A	Multiplexed pin whose function is selected by the following bits: IFCONFIG[1..0]. <b>RDY1</b> is a GPIF input signal. <b>SLWR</b> is the input-only write strobe with programmable polarity (FIFOPINPOLAR.2) for the slave FIFOs connected to FD[7..0] or FD[15..0].
6	5				RDY2	Input	N/A	<b>RDY2</b> is a GPIF input signal.
7	6				RDY3	Input	N/A	<b>RDY3</b> is a GPIF input signal.
8	7				RDY4	Input	N/A	<b>RDY4</b> is a GPIF input signal.
9	8				RDY5	Input	N/A	<b>RDY5</b> is a GPIF input signal.
69	54	36	29	7H	CTL0 or FLAGA	O/Z	H	Multiplexed pin whose function is selected by the following bits: IFCONFIG[1..0]. <b>CTL0</b> is a GPIF control output. <b>FLAGA</b> is a programmable slave-FIFO output status flag signal. Defaults to programmable for the FIFO selected by the FIFOADR[1:0] pins.

**Table 11. FX2LP Pin Descriptions** (continued)

128 TQFP	100 TQFP	56 SSOP	56 QFN	56 VF-BGA	Name	Type	Default	Description
70	55	37	30	7G	CTL1 or FLAGB	O/Z	H	Multiplexed pin whose function is selected by the following bits: IFCONFIG[1..0]. <b>CTL1</b> is a GPIF control output. <b>FLAGB</b> is a programmable slave-FIFO output status flag signal. Defaults to FULL for the FIFO selected by the FIFOADR[1:0] pins.
71	56	38	31	8H	CTL2 or FLAGC	O/Z	H	Multiplexed pin whose function is selected by the following bits: IFCONFIG[1..0]. <b>CTL2</b> is a GPIF control output. <b>FLAGC</b> is a programmable slave-FIFO output status flag signal. Defaults to EMPTY for the FIFO selected by the FIFOADR[1:0] pins.
66	51				CTL3	O/Z	H	<b>CTL3</b> is a GPIF control output.
67	52				CTL4	Output	H	<b>CTL4</b> is a GPIF control output.
98	76				CTL5	Output	H	<b>CTL5</b> is a GPIF control output.
32	26	20	13	2G	IFCLK on CY7C68013A and CY7C68014A	I/O/Z	Z	Interface Clock, used for synchronously clocking data into or out of the slave FIFOs. IFCLK also serves as a timing reference for all slave FIFO control signals and GPIF. When internal clocking is used (IFCONFIG.7 = 1) the IFCLK pin can be configured to output 30/48 MHz by bits IFCONFIG.5 and IFCONFIG.6. IFCLK may be inverted, whether internally or externally sourced, by setting the bit IFCONFIG.4 = 1.
					PE0 on CY7C68015A and CY7C68016A	I/O/Z	I	<b>PE0</b> is a bidirectional I/O port pin.
28	22				INT4	Input	N/A	<b>INT4</b> is the 8051 INT4 interrupt request input signal. The INT4 pin is edge-sensitive, active HIGH.
106	84				INT5#	Input	N/A	<b>INT5#</b> is the 8051 INT5 interrupt request input signal. The INT5 pin is edge-sensitive, active LOW.
31	25				T2	Input	N/A	<b>T2</b> is the active-HIGH T2 input signal to 8051 Timer2, which provides the input to Timer2 when C/T2 = 1. When C/T2 = 0, Timer2 does not use this pin.
30	24				T1	Input	N/A	<b>T1</b> is the active-HIGH T1 signal for 8051 Timer1, which provides the input to Timer1 when C/T1 is 1. When C/T1 is 0, Timer1 does not use this bit.
29	23				T0	Input	N/A	<b>T0</b> is the active-HIGH T0 signal for 8051 Timer0, which provides the input to Timer0 when C/T0 is 1. When C/T0 is 0, Timer0 does not use this bit.
53	43				RXD1	Input	N/A	<b>RXD1</b> is an active-HIGH input signal for 8051 UART1, which provides data to the UART in all modes.
52	42				TXD1	Output	H	<b>TXD1</b> is an active-HIGH output pin from 8051 UART1, which provides the output clock in sync mode, and the output data in async mode.
51	41				RXD0	Input	N/A	<b>RXD0</b> is the active-HIGH RXD0 input to 8051 UART0, which provides data to the UART in all modes.

**Table 11. FX2LP Pin Descriptions** (continued)

128 TQFP	100 TQFP	56 SSOP	56 QFN	56 VF-BGA	Name	Type	Default	Description
50	40				TXD0	Output	H	<b>TXD0</b> is the active-HIGH TXD0 output from 8051 UART0, which provides the output clock in sync mode, and the output data in async mode.
42					CS#	Output	H	<b>CS#</b> is the active-LOW chip select for external memory.
41	32				WR#	Output	H	<b>WR#</b> is the active-LOW write strobe output for external memory.
40	31				RD#	Output	H	<b>RD#</b> is the active-LOW read strobe output for external memory.
38					OE#	Output	H	<b>OE#</b> is the active-LOW output enable for external memory.
33	27	21	14	2H	Reserved	Input	N/A	<b>Reserved.</b> Connect to ground.
101	79	51	44	7B	WAKEUP	Input	N/A	<b>USB Wakeup.</b> If the 8051 is in suspend, asserting this pin starts up the oscillator and interrupts the 8051 to enable it to exit the suspend mode. Holding WAKEUP asserted inhibits the EZ-USB <sup>®</sup> chip from suspending. This pin has programmable polarity (WAKEUP.4).
36	29	22	15	3F	SCL	OD	Z	<b>Clock</b> for the I <sup>2</sup> C interface. Connect to VCC with a 2.2K resistor, even if no I <sup>2</sup> C peripheral is attached.
37	30	23	16	3G	SDA	OD	Z	<b>Data for I<sup>2</sup>C-compatible interface.</b> Connect to VCC with a 2.2K resistor, <b>even if no I<sup>2</sup>C-compatible peripheral is attached.</b>
2	1	6	55	5A	VCC	Power	N/A	<b>VCC.</b> Connect to 3.3V power source.
26	20	18	11	1G	VCC	Power	N/A	<b>VCC.</b> Connect to 3.3V power source.
43	33	24	17	7E	VCC	Power	N/A	<b>VCC.</b> Connect to 3.3V power source.
48	38				VCC	Power	N/A	<b>VCC.</b> Connect to 3.3V power source.
64	49	34	27	8E	VCC	Power	N/A	<b>VCC.</b> Connect to 3.3V power source.
68	53				VCC	Power	N/A	<b>VCC.</b> Connect to 3.3V power source.
81	66	39	32	5C	VCC	Power	N/A	<b>VCC.</b> Connect to 3.3V power source.
100	78	50	43	5B	VCC	Power	N/A	<b>VCC.</b> Connect to 3.3V power source.
107	85				VCC	Power	N/A	<b>VCC.</b> Connect to 3.3V power source.
3	2	7	56	4B	GND	Ground	N/A	<b>Ground.</b>
27	21	19	12	1H	GND	Ground	N/A	<b>Ground.</b>
49	39				GND	Ground	N/A	<b>Ground.</b>
58	48	33	26	7D	GND	Ground	N/A	<b>Ground.</b>
65	50	35	28	8D	GND	Ground	N/A	<b>Ground.</b>
80	65				GND	Ground	N/A	<b>Ground.</b>
93	75	48	41	4C	GND	Ground	N/A	<b>Ground.</b>
116	94				GND	Ground	N/A	<b>Ground.</b>
125	99	4	53	4A	GND	Ground	N/A	<b>Ground.</b>
14	13				NC	N/A	N/A	<b>No Connect.</b> This pin must be left open.
15	14				NC	N/A	N/A	<b>No Connect.</b> This pin must be left open.
16	15				NC	N/A	N/A	<b>No Connect.</b> This pin must be left open.

## 5. Register Summary

FX2LP register bit definitions are described in the FX2LP TRM in greater detail.

**Table 12. FX2LP Register Summary**

Hex	Size	Name	Description	b7	b6	b5	b4	b3	b2	b1	b0	Default	Access
		GPIF Waveform Memories											
E400	128	WAVEDATA	GPIF Waveform Descriptor 0, 1, 2, 3 data	D7	D6	D5	D4	D3	D2	D1	D0	xxxxxxxx	RW
E480	128	reserved											
		GENERAL CONFIGURATION											
E50D		GPCR2	General Purpose Configuration Register 2	reserved	reserved	reserved	FULL_SPEE D_ONLY	reserved	reserved	reserved	reserved	00000000	R
E600	1	CPUCS	CPU Control & Status	0	0	PORTCSTB	CLKSPD1	CLKSPD0	CLKINV	CLKOE	8051RES	00000010	rrbbbbb
E601	1	IFCONFIG	Interface Configuration (Ports, GPIF, slave FIFOs)	IFCLKSRC	3048MHZ	IFCLKOE	IFCLKPOL	ASYNC	GSTATE	IFCFG1	IFCFG0	10000000	RW
E602	1	PINFLAGSB <sup>[11]</sup>	Slave FIFO FLAGA and FLAGB Pin Configuration	FLAGB3	FLAGB2	FLAGB1	FLAGB0	FLAGA3	FLAGA2	FLAGA1	FLAGA0	00000000	RW
E603	1	PINFLAGSCD <sup>[11]</sup>	Slave FIFO FLAGC and FLAGD Pin Configuration	FLAGD3	FLAGD2	FLAGD1	FLAGD0	FLAGC3	FLAGC2	FLAGC1	FLAGC0	00000000	RW
E604	1	FIFORESET <sup>[11]</sup>	Restore FIFOS to default state	NAKALL	0	0	0	EP3	EP2	EP1	EP0	xxxxxxxx	W
E605	1	BREAKPT	Breakpoint Control	0	0	0	0	BREAK	BPPULSE	BPEN	0	00000000	rrrrbbb
E606	1	BPADDRH	Breakpoint Address H	A15	A14	A13	A12	A11	A10	A9	A8	xxxxxxxx	RW
E607	1	BPADDRL	Breakpoint Address L	A7	A6	A5	A4	A3	A2	A1	A0	xxxxxxxx	RW
E608	1	UART230	230 Kbaud internally generated ref. clock	0	0	0	0	0	0	230UART1	230UART0	00000000	rrrrbbb
E609	1	FIFOPINPOLAR <sup>[11]</sup>	Slave FIFO Interface pins polarity	0	0	PKTEND	SLOE	SLRD	SLWR	EF	FF	00000000	rrbbbbb
E60A	1	REVID	Chip Revision	rv7	rv6	rv5	rv4	rv3	rv2	rv1	rv0	RevA 00000001	R
E60B	1	REVCTL <sup>[11]</sup>	Chip Revision Control	0	0	0	0	0	0	dyn_out	enh_pkt	00000000	rrrrbbb
		UDMA											
E60C	1	GPIFHOLDAMOUNT	MSTB Hold Time (for UDMA)	0	0	0	0	0	0	HOLDTIME1	HOLDTIME0	00000000	rrrrbbb
	3	reserved											
		ENDPOINT CONFIGURATION											
E610	1	EP1OUTCFG	Endpoint 1-OUT Configuration	VALID	0	TYPE1	TYPE0	0	0	0	0	10100000	brbrrrr
E611	1	EP1INCFG	Endpoint 1-IN Configuration	VALID	0	TYPE1	TYPE0	0	0	0	0	10100000	brbrrrr
E612	1	EP2CFG	Endpoint 2 Configuration	VALID	DIR	TYPE1	TYPE0	SIZE	0	BUF1	BUF0	10100010	bbbbrbb
E613	1	EP4CFG	Endpoint 4 Configuration	VALID	DIR	TYPE1	TYPE0	0	0	0	0	10100000	bbbrrrr
E614	1	EP6CFG	Endpoint 6 Configuration	VALID	DIR	TYPE1	TYPE0	SIZE	0	BUF1	BUF0	11100010	bbbbrbb
E615	1	EP8CFG	Endpoint 8 Configuration	VALID	DIR	TYPE1	TYPE0	0	0	0	0	11100000	bbbrrrr
	2	reserved											
E618	1	EP2FIFOCFG <sup>[11]</sup>	Endpoint 2 / slave FIFO configuration	0	INFM1	OEP1	AUTOOUT	AUTOIN	ZEROLENIN	0	WORDWIDE	00000101	rbbbbrb
E619	1	EP4FIFOCFG <sup>[11]</sup>	Endpoint 4 / slave FIFO configuration	0	INFM1	OEP1	AUTOOUT	AUTOIN	ZEROLENIN	0	WORDWIDE	00000101	rbbbbrb
E61A	1	EP6FIFOCFG <sup>[11]</sup>	Endpoint 6 / slave FIFO configuration	0	INFM1	OEP1	AUTOOUT	AUTOIN	ZEROLENIN	0	WORDWIDE	00000101	rbbbbrb
E61B	1	EP8FIFOCFG <sup>[11]</sup>	Endpoint 8 / slave FIFO configuration	0	INFM1	OEP1	AUTOOUT	AUTOIN	ZEROLENIN	0	WORDWIDE	00000101	rbbbbrb
E61C	4	reserved											
E620	1	EP2AUTOINLENH <sup>[11]</sup>	Endpoint 2 AUTOIN Packet Length H	0	0	0	0	0	PL10	PL9	PL8	00000010	rrrrbbb
E621	1	EP2AUTOINLENL <sup>[11]</sup>	Endpoint 2 AUTOIN Packet Length L	PL7	PL6	PL5	PL4	PL3	PL2	PL1	PL0	00000000	RW
E622	1	EP4AUTOINLENH <sup>[11]</sup>	Endpoint 4 AUTOIN Packet Length H	0	0	0	0	0	0	PL9	PL8	00000010	rrrrbbb
E623	1	EP4AUTOINLENL <sup>[11]</sup>	Endpoint 4 AUTOIN Packet Length L	PL7	PL6	PL5	PL4	PL3	PL2	PL1	PL0	00000000	RW
E624	1	EP6AUTOINLENH <sup>[11]</sup>	Endpoint 6 AUTOIN Packet Length H	0	0	0	0	0	PL10	PL9	PL8	00000010	rrrrbbb
E625	1	EP6AUTOINLENL <sup>[11]</sup>	Endpoint 6 AUTOIN Packet Length L	PL7	PL6	PL5	PL4	PL3	PL2	PL1	PL0	00000000	RW
E626	1	EP8AUTOINLENH <sup>[11]</sup>	Endpoint 8 AUTOIN Packet Length H	0	0	0	0	0	0	PL9	PL8	00000010	rrrrbbb
E627	1	EP8AUTOINLENL <sup>[11]</sup>	Endpoint 8 AUTOIN Packet Length L	PL7	PL6	PL5	PL4	PL3	PL2	PL1	PL0	00000000	RW
E628	1	ECCCFG	ECC Configuration	0	0	0	0	0	0	0	ECCM	00000000	rrrrrrb
E629	1	ECCRESET	ECC Reset	x	x	x	x	x	x	x	x	00000000	W
E62A	1	ECC1B0	ECC1 Byte 0 Address	LINE15	LINE14	LINE13	LINE12	LINE11	LINE10	LINE9	LINE8	00000000	R

**Note**

11. Read and writes to these registers may require synchronization delay, see Technical Reference Manual for "Synchronization Delay."

**Table 12. FX2LP Register Summary (continued)**

Hex	Size	Name	Description	b7	b6	b5	b4	b3	b2	b1	b0	Default	Access
E62B	1	ECC1B1	ECC1 Byte 1 Address	LINE7	LINE6	LINE5	LINE4	LINE3	LINE2	LINE1	LINE0	00000000	R
E62C	1	ECC1B2	ECC1 Byte 2 Address	COL5	COL4	COL3	COL2	COL1	COL0	LINE17	LINE16	00000000	R
E62D	1	ECC2B0	ECC2 Byte 0 Address	LINE15	LINE14	LINE13	LINE12	LINE11	LINE10	LINE9	LINE8	00000000	R
E62E	1	ECC2B1	ECC2 Byte 1 Address	LINE7	LINE6	LINE5	LINE4	LINE3	LINE2	LINE1	LINE0	00000000	R
E62F	1	ECC2B2	ECC2 Byte 2 Address	COL5	COL4	COL3	COL2	COL1	COL0	0	0	00000000	R
E630	1	EP2FIFOPFH <sup>[11]</sup>	Endpoint 2 / slave FIFO Programmable Flag H	DECIS	PKTSTAT	IN:PKTS[2] OUT:PFC12	IN:PKTS[1] OUT:PFC11	IN:PKTS[0] OUT:PFC10	0	PFC9	PFC8	10001000	bbbbbrbb
E630	1	EP2FIFOPFH <sup>[11]</sup>	Endpoint 2 / slave FIFO Programmable Flag H	DECIS	PKTSTAT	OUT:PFC12	OUT:PFC11	OUT:PFC10	0	PFC9	IN:PKTS[2] OUT:PFC8	10001000	bbbbbrbb
E631	1	EP2FIFOPFL <sup>[11]</sup>	Endpoint 2 / slave FIFO Programmable Flag L	PFC7	PFC6	PFC5	PFC4	PFC3	PFC2	PFC1	PFC0	00000000	RW
E631	1	EP2FIFOPFL <sup>[11]</sup>	Endpoint 2 / slave FIFO Programmable Flag L	IN:PKTS[1] OUT:PFC7	IN:PKTS[0] OUT:PFC6	PFC5	PFC4	PFC3	PFC2	PFC1	PFC0	00000000	RW
E632	1	EP4FIFOPFH <sup>[11]</sup>	Endpoint 4 / slave FIFO Programmable Flag H	DECIS	PKTSTAT	0	IN: PKTS[1] OUT:PFC9	IN: PKTS[0] OUT:PFC9	0	0	PFC8	10001000	bbrrbrbb
E632	1	EP4FIFOPFH <sup>[11]</sup>	Endpoint 4 / slave FIFO Programmable Flag H	DECIS	PKTSTAT	0	OUT:PFC10	OUT:PFC9	0	0	PFC8	10001000	bbrrbrbb
E633	1	EP4FIFOPFL <sup>[11]</sup>	Endpoint 4 / slave FIFO Programmable Flag L	PFC7	PFC6	PFC5	PFC4	PFC3	PFC2	PFC1	PFC0	00000000	RW
E633	1	EP4FIFOPFL <sup>[11]</sup>	Endpoint 4 / slave FIFO Programmable Flag L	IN: PKTS[1] OUT:PFC7	IN: PKTS[0] OUT:PFC6	PFC5	PFC4	PFC3	PFC2	PFC1	PFC0	00000000	RW
E634	1	EP6FIFOPFH <sup>[11]</sup>	Endpoint 6 / slave FIFO Programmable Flag H	DECIS	PKTSTAT	IN:PKTS[2] OUT:PFC12	IN:PKTS[1] OUT:PFC11	IN:PKTS[0] OUT:PFC10	0	PFC9	PFC8	00001000	bbbbbrbb
E634	1	EP6FIFOPFH <sup>[11]</sup>	Endpoint 6 / slave FIFO Programmable Flag H	DECIS	PKTSTAT	OUT:PFC12	OUT:PFC11	OUT:PFC10	0	PFC9	IN:PKTS[2] OUT:PFC8	00001000	bbbbbrbb
E635	1	EP6FIFOPFL <sup>[11]</sup>	Endpoint 6 / slave FIFO Programmable Flag L	PFC7	PFC6	PFC5	PFC4	PFC3	PFC2	PFC1	PFC0	00000000	RW
E635	1	EP6FIFOPFL <sup>[11]</sup>	Endpoint 6 / slave FIFO Programmable Flag L	IN:PKTS[1] OUT:PFC7	IN:PKTS[0] OUT:PFC6	PFC5	PFC4	PFC3	PFC2	PFC1	PFC0	00000000	RW
E636	1	EP8FIFOPFH <sup>[11]</sup>	Endpoint 8 / slave FIFO Programmable Flag H	DECIS	PKTSTAT	0	IN: PKTS[1] OUT:PFC9	IN: PKTS[0] OUT:PFC9	0	0	PFC8	00001000	bbrrbrbb
E636	1	EP8FIFOPFH <sup>[11]</sup>	Endpoint 8 / slave FIFO Programmable Flag H	DECIS	PKTSTAT	0	OUT:PFC10	OUT:PFC9	0	0	PFC8	00001000	bbrrbrbb
E637	1	EP8FIFOPFL <sup>[11]</sup>	Endpoint 8 / slave FIFO Programmable Flag L	PFC7	PFC6	PFC5	PFC4	PFC3	PFC2	PFC1	PFC0	00000000	RW
E637	1	EP8FIFOPFL <sup>[11]</sup>	Endpoint 8 / slave FIFO Programmable Flag L	IN: PKTS[1] OUT:PFC7	IN: PKTS[0] OUT:PFC6	PFC5	PFC4	PFC3	PFC2	PFC1	PFC0	00000000	RW
	8	reserved											
E640	1	EP2ISOINPKTS	EP2 (if ISO) IN Packets per frame (1-3)	AADJ	0	0	0	0	0	INPPF1	INPPF0	00000001	brrrrrbb
E641	1	EP4ISOINPKTS	EP4 (if ISO) IN Packets per frame (1-3)	AADJ	0	0	0	0	0	INPPF1	INPPF0	00000001	brrrrrrr
E642	1	EP6ISOINPKTS	EP6 (if ISO) IN Packets per frame (1-3)	AADJ	0	0	0	0	0	INPPF1	INPPF0	00000001	brrrrrbb
E643	1	EP8ISOINPKTS	EP8 (if ISO) IN Packets per frame (1-3)	AADJ	0	0	0	0	0	INPPF1	INPPF0	00000001	brrrrrrr
E644	4	reserved											
E648	1	INPKTEND <sup>[11]</sup>	Force IN Packet End	Skip	0	0	0	EP3	EP2	EP1	EP0	xxxxxxx	W
E649	7	OUTPKTEND <sup>[11]</sup>	Force OUT Packet End	Skip	0	0	0	EP3	EP2	EP1	EP0	xxxxxxx	W
		INTERRUPTS											
E650	1	EP2FIFOIE <sup>[11]</sup>	Endpoint 2 slave FIFO Flag Interrupt Enable	0	0	0	0	EDGE PF	PF	EF	FF	00000000	RW
E651	1	EP2FIFOIRQ <sup>[11,12]</sup>	Endpoint 2 slave FIFO Flag Interrupt Request	0	0	0	0	0	PF	EF	FF	00000000	rrrrbb
E652	1	EP4FIFOIE <sup>[11]</sup>	Endpoint 4 slave FIFO Flag Interrupt Enable	0	0	0	0	EDGE PF	PF	EF	FF	00000000	RW
E653	1	EP4FIFOIRQ <sup>[11,12]</sup>	Endpoint 4 slave FIFO Flag Interrupt Request	0	0	0	0	0	PF	EF	FF	00000000	rrrrbb
E654	1	EP6FIFOIE <sup>[11]</sup>	Endpoint 6 slave FIFO Flag Interrupt Enable	0	0	0	0	EDGE PF	PF	EF	FF	00000000	RW
E655	1	EP6FIFOIRQ <sup>[11,12]</sup>	Endpoint 6 slave FIFO Flag Interrupt Request	0	0	0	0	0	PF	EF	FF	00000000	rrrrbb
E656	1	EP8FIFOIE <sup>[11]</sup>	Endpoint 8 slave FIFO Flag Interrupt Enable	0	0	0	0	EDGE PF	PF	EF	FF	00000000	RW
E657	1	EP8FIFOIRQ <sup>[11,12]</sup>	Endpoint 8 slave FIFO Flag Interrupt Request	0	0	0	0	0	PF	EF	FF	00000000	rrrrbb
E658	1	IBNIE	IN-BULK-NAK Interrupt Enable	0	0	EP8	EP6	EP4	EP2	EP1	EP0	00000000	RW
E659	1	IBNIRQ <sup>[12]</sup>	IN-BULK-NAK interrupt Request	0	0	EP8	EP6	EP4	EP2	EP1	EP0	00xxxxx	rrbbbbb
E65A	1	NAKIE	Endpoint Ping-NAK / IBN Interrupt Enable	EP8	EP6	EP4	EP2	EP1	EP0	0	IBN	00000000	RW
E65B	1	NAKIRQ <sup>[12]</sup>	Endpoint Ping-NAK / IBN Interrupt Request	EP8	EP6	EP4	EP2	EP1	EP0	0	IBN	xxxxxx0x	bbbbbrbb
E65C	1	USBIE	USB Int Enables	0	EP0ACK	HSGRANT	URES	SUSP	SUTOK	SOF	SUDAV	00000000	RW

**Note**

12. The register can only be reset, it cannot be set.

**Table 12. FX2LP Register Summary (continued)**

Hex	Size	Name	Description	b7	b6	b5	b4	b3	b2	b1	b0	Default	Access
E65D	1	USBIRQ <sup>[12]</sup>	USB Interrupt Requests	0	EP0ACK	HSGRANT	URES	SUSP	SUTOK	SOF	SUDAV	0xxxxxxx	rbbbbbbb
E65E	1	EPIE	Endpoint Interrupt Enables	EP8	EP6	EP4	EP2	EP1OUT	EP1IN	EP0OUT	EP0IN	00000000	RW
E65F	1	EPIRQ <sup>[12]</sup>	Endpoint Interrupt Requests	EP8	EP6	EP4	EP2	EP1OUT	EP1IN	EP0OUT	EP0IN	0	RW
E660	1	GPIFIE <sup>[11]</sup>	GPIF Interrupt Enable	0	0	0	0	0	0	GPIFWF	GPIFDONE	00000000	RW
E661	1	GPIFIRQ <sup>[11]</sup>	GPIF Interrupt Request	0	0	0	0	0	0	GPIFWF	GPIFDONE	000000xx	RW
E662	1	USBERRIE	USB Error Interrupt Enables	ISOEP8	ISOEP6	ISOEP4	ISOEP2	0	0	0	ERRLIMIT	00000000	RW
E663	1	USBERRIRQ <sup>[12]</sup>	USB Error Interrupt Requests	ISOEP8	ISOEP6	ISOEP4	ISOEP2	0	0	0	ERRLIMIT	0000000x	bbbbrrrb
E664	1	ERRCNTLIM	USB Error counter and limit	EC3	EC2	EC1	EC0	LIMIT3	LIMIT2	LIMIT1	LIMIT0	xxxx0100	rrrrbbbb
E665	1	CLRERRCNT	Clear Error Counter EC3:0	x	x	x	x	x	x	x	x	xxxxxxx	W
E666	1	INT2IVEC	Interrupt 2 (USB) Autovector	0	I2V4	I2V3	I2V2	I2V1	I2V0	0	0	00000000	R
E667	1	INT4IVEC	Interrupt 4 (slave FIFO & GPIF) Autovector	1	0	I4V3	I4V2	I4V1	I4V0	0	0	10000000	R
E668	1	INTSET-UP	Interrupt 2&4 setup	0	0	0	0	AV2EN	0	INT4SRC	AV4EN	00000000	RW
E669	7	reserved											
INPUT / OUTPUT													
E670	1	PORTACFG	I/O PORTA Alternate Configuration	FLAGD	SLCS	0	0	0	0	INT1	INT0	00000000	RW
E671	1	PORTCCFG	I/O PORTC Alternate Configuration	GPIFA7	GPIFA6	GPIFA5	GPIFA4	GPIFA3	GPIFA2	GPIFA1	GPIFA0	00000000	RW
E672	1	PORTECFG	I/O PORTE Alternate Configuration	GPIFA8	T2EX	INT6	RXD1OUT	RXD0OUT	T2OUT	T1OUT	T0OUT	00000000	RW
E673	4	reserved											
E677	1	reserved											
E678	1	I <sup>2</sup> CS	I <sup>2</sup> C Bus Control & Status	START	STOP	LASTRD	ID1	ID0	BERR	ACK	DONE	000xx000	bbrrrrrr
E679	1	I2DAT	I <sup>2</sup> C Bus Data	d7	d6	d5	d4	d3	d2	d1	d0	xxxxxxx	RW
E67A	1	I <sup>2</sup> CTL	I <sup>2</sup> C Bus Control	0	0	0	0	0	0	STOPIE	400KHZ	00000000	RW
E67B	1	XAUTODAT1	Autoptr1 MOVX access, when APTREN=1	D7	D6	D5	D4	D3	D2	D1	D0	xxxxxxx	RW
E67C	1	XAUTODAT2	Autoptr2 MOVX access, when APTREN=1	D7	D6	D5	D4	D3	D2	D1	D0	xxxxxxx	RW
UDMA CRC													
E67D	1	UDMACRCH <sup>[11]</sup>	UDMA CRC MSB	CRC15	CRC14	CRC13	CRC12	CRC11	CRC10	CRC9	CRC8	01001010	RW
E67E	1	UDMACRCL <sup>[11]</sup>	UDMA CRC LSB	CRC7	CRC6	CRC5	CRC4	CRC3	CRC2	CRC1	CRC0	10111010	RW
E67F	1	UDMACRC-QUALIFIER	UDMA CRC Qualifier	QENABLE	0	0	0	QSTATE	QSIGNA2	QSIGNA1	QSIGNA0	00000000	brrrbbbb
USB CONTROL													
E680	1	USBCS	USB Control & Status	HSM	0	0	0	DISCON	NOSYNSOF	RENUM	SIGRSUME	x0000000	rrrrbbbb
E681	1	SUSPEND	Put chip into suspend	x	x	x	x	x	x	x	x	xxxxxxx	W
E682	1	WAKEUPCS	Wakeup Control & Status	WU2	WU	WU2POL	WUPOL	0	DPEN	WU2EN	WUEN	xx000101	bbbbrrbb
E683	1	TOGCTL	Toggle Control	Q	S	R	I/O	EP3	EP2	EP1	EP0	x0000000	rrrrbbbb
E684	1	USBFRAMEH	USB Frame count H	0	0	0	0	0	FC10	FC9	FC8	00000xxx	R
E685	1	USBFRAMEL	USB Frame count L	FC7	FC6	FC5	FC4	FC3	FC2	FC1	FC0	xxxxxxx	R
E686	1	MICROFRAME	Microframe count, 0-7	0	0	0	0	0	MF2	MF1	MF0	00000xxx	R
E687	1	FNADDR	USB Function address	0	FA6	FA5	FA4	FA3	FA2	FA1	FA0	0xxxxxxx	R
E688	2	reserved											
ENDPOINTS													
E68A	1	EP0BCH <sup>[11]</sup>	Endpoint 0 Byte Count H	(BC15)	(BC14)	(BC13)	(BC12)	(BC11)	(BC10)	(BC9)	(BC8)	xxxxxxx	RW
E68B	1	EP0BCL <sup>[11]</sup>	Endpoint 0 Byte Count L	(BC7)	BC6	BC5	BC4	BC3	BC2	BC1	BC0	xxxxxxx	RW
E68C	1	reserved											
E68D	1	EP1OUTBC	Endpoint 1 OUT Byte Count	0	BC6	BC5	BC4	BC3	BC2	BC1	BC0	0xxxxxxx	RW
E68E	1	reserved											
E68F	1	EP1INBC	Endpoint 1 IN Byte Count	0	BC6	BC5	BC4	BC3	BC2	BC1	BC0	0xxxxxxx	RW
E690	1	EP2BCH <sup>[11]</sup>	Endpoint 2 Byte Count H	0	0	0	0	0	BC10	BC9	BC8	00000xxx	RW
E691	1	EP2BCL <sup>[11]</sup>	Endpoint 2 Byte Count L	BC7/SKIP	BC6	BC5	BC4	BC3	BC2	BC1	BC0	xxxxxxx	RW
E692	2	reserved											
E694	1	EP4BCH <sup>[11]</sup>	Endpoint 4 Byte Count H	0	0	0	0	0	0	BC9	BC8	000000xx	RW
E695	1	EP4BCL <sup>[11]</sup>	Endpoint 4 Byte Count L	BC7/SKIP	BC6	BC5	BC4	BC3	BC2	BC1	BC0	xxxxxxx	RW
E696	2	reserved											
E698	1	EP6BCH <sup>[11]</sup>	Endpoint 6 Byte Count H	0	0	0	0	0	BC10	BC9	BC8	00000xxx	RW
E699	1	EP6BCL <sup>[11]</sup>	Endpoint 6 Byte Count L	BC7/SKIP	BC6	BC5	BC4	BC3	BC2	BC1	BC0	xxxxxxx	RW
E69A	2	reserved											
E69C	1	EP8BCH <sup>[11]</sup>	Endpoint 8 Byte Count H	0	0	0	0	0	0	BC9	BC8	000000xx	RW

**Table 12. FX2LP Register Summary (continued)**

Hex	Size	Name	Description	b7	b6	b5	b4	b3	b2	b1	b0	Default	Access
E69D	1	EP8BCL <sup>[11]</sup>	Endpoint 8 Byte Count L	BC7/SKIP	BC6	BC5	BC4	BC3	BC2	BC1	BC0	xxxxxxx	RW
E69E	2	reserved											
E6A0	1	EP0CS	Endpoint 0 Control and Status	HSNAK	0	0	0	0	0	BUSY	STALL	10000000	bbbbbbbrb
E6A1	1	EP1OUTCS	Endpoint 1 OUT Control and Status	0	0	0	0	0	0	BUSY	STALL	00000000	bbbbbbbrb
E6A2	1	EP1INCS	Endpoint 1 IN Control and Status	0	0	0	0	0	0	BUSY	STALL	00000000	bbbbbbbrb
E6A3	1	EP2CS	Endpoint 2 Control and Status	0	NPAK2	NPAK1	NPAK0	FULL	EMPTY	0	STALL	00101000	rrrrrrrb
E6A4	1	EP4CS	Endpoint 4 Control and Status	0	0	NPAK1	NPAK0	FULL	EMPTY	0	STALL	00101000	rrrrrrrb
E6A5	1	EP6CS	Endpoint 6 Control and Status	0	NPAK2	NPAK1	NPAK0	FULL	EMPTY	0	STALL	00000100	rrrrrrrb
E6A6	1	EP8CS	Endpoint 8 Control and Status	0	0	NPAK1	NPAK0	FULL	EMPTY	0	STALL	00000100	rrrrrrrb
E6A7	1	EP2FIFOFLGS	Endpoint 2 slave FIFO Flags	0	0	0	0	0	PF	EF	FF	00000010	R
E6A8	1	EP4FIFOFLGS	Endpoint 4 slave FIFO Flags	0	0	0	0	0	PF	EF	FF	00000010	R
E6A9	1	EP6FIFOFLGS	Endpoint 6 slave FIFO Flags	0	0	0	0	0	PF	EF	FF	00000110	R
E6AA	1	EP8FIFOFLGS	Endpoint 8 slave FIFO Flags	0	0	0	0	0	PF	EF	FF	00000110	R
E6AB	1	EP2FIFOBCH	Endpoint 2 slave FIFO total byte count H	0	0	0	BC12	BC11	BC10	BC9	BC8	00000000	R
E6AC	1	EP2FIFOBCL	Endpoint 2 slave FIFO total byte count L	BC7	BC6	BC5	BC4	BC3	BC2	BC1	BC0	00000000	R
E6AD	1	EP4FIFOBCH	Endpoint 4 slave FIFO total byte count H	0	0	0	0	0	BC10	BC9	BC8	00000000	R
E6AE	1	EP4FIFOBCL	Endpoint 4 slave FIFO total byte count L	BC7	BC6	BC5	BC4	BC3	BC2	BC1	BC0	00000000	R
E6AF	1	EP6FIFOBCH	Endpoint 6 slave FIFO total byte count H	0	0	0	0	BC11	BC10	BC9	BC8	00000000	R
E6B0	1	EP6FIFOBCL	Endpoint 6 slave FIFO total byte count L	BC7	BC6	BC5	BC4	BC3	BC2	BC1	BC0	00000000	R
E6B1	1	EP8FIFOBCH	Endpoint 8 slave FIFO total byte count H	0	0	0	0	0	BC10	BC9	BC8	00000000	R
E6B2	1	EP8FIFOBCL	Endpoint 8 slave FIFO total byte count L	BC7	BC6	BC5	BC4	BC3	BC2	BC1	BC0	00000000	R
E6B3	1	SUDPTRH	Setup Data Pointer high address byte	A15	A14	A13	A12	A11	A10	A9	A8	xxxxxxx	RW
E6B4	1	SUDPTRL	Setup Data Pointer low address byte	A7	A6	A5	A4	A3	A2	A1	0	xxxxxxx0	bbbbbbbrb
E6B5	1	SUDPTRCTL	Setup Data Pointer Auto Mode	0	0	0	0	0	0	0	SDPAUTO	00000001	RW
	2	reserved											
E6B8	8	SET-UPDAT	8 bytes of setup data	D7	D6	D5	D4	D3	D2	D1	D0	xxxxxxx	R
			SET-UPDAT[0] = bmRequestType										
			SET-UPDAT[1] = bmRequest										
			SET-UPDAT[2:3] = wValue										
			SET-UPDAT[4:5] = wIndex										
			SET-UPDAT[6:7] = wLength										
		GPIF											
E6C0	1	GPIFWFSELECT	Waveform Selector	SINGLEWR1	SINGLEWR0	SINGLERD1	SINGLERD0	FIFOWR1	FIFOWR0	FIFORD1	FIFORD0	11100100	RW
E6C1	1	GPIFIDLECS	GPIF Done, GPIF IDLE drive mode	DONE	0	0	0	0	0	0	IDLEDRV	10000000	RW
E6C2	1	GPIFIDLECTL	Inactive Bus, CTL states	0	0	CTL5	CTL4	CTL3	CTL2	CTL1	CTL0	11111111	RW
E6C3	1	GPIFCTLCFG	CTL Drive Type	TRICTL	0	CTL5	CTL4	CTL3	CTL2	CTL1	CTL0	00000000	RW
E6C4	1	GPIFADRH <sup>[11]</sup>	GPIF Address H	0	0	0	0	0	0	0	GPIFA8	00000000	RW
E6C5	1	GPIFADRL <sup>[11]</sup>	GPIF Address L	GPIFA7	GPIFA6	GPIFA5	GPIFA4	GPIFA3	GPIFA2	GPIFA1	GPIFA0	00000000	RW
		FLOWSTATE											
E6C6	1	FLOWSTATE	Flowstate Enable and Selector	FSE	0	0	0	0	FS2	FS1	FS0	00000000	brrrrrbb
E6C7	1	FLOWLOGIC	Flowstate Logic	LFUNC1	LFUNC0	TERMA2	TERMA1	TERMA0	TERMB2	TERMB1	TERMB0	00000000	RW
E6C8	1	FLOWEQ0CTL	CTL-Pin States in Flowstate (when Logic = 0)	CTL0E3	CTL0E2	CTL0E1/CTL5	CTL0E0/CTL4	CTL3	CTL2	CTL1	CTL0	00000000	RW
E6C9	1	FLOWEQ1CTL	CTL-Pin States in Flowstate (when Logic = 1)	CTL0E3	CTL0E2	CTL0E1/CTL5	CTL0E0/CTL4	CTL3	CTL2	CTL1	CTL0	00000000	RW
E6CA	1	FLOWHOLDOFF	Holdoff Configuration	HOPERIOD3	HOPERIOD2	HOPERIOD1	HOPERIOD0	HOSTATE	HOCTL2	HOCTL1	HOCTL0	00010010	RW



**Table 12. FX2LP Register Summary (continued)**

Hex	Size	Name	Description	b7	b6	b5	b4	b3	b2	b1	b0	Default	Access
E6CB	1	FLOWSTB	Flowstate Strobe Configuration	SLAVE	RDYASYNC	CTLTOGL	SUSTAIN	0	MSTB2	MSTB1	MSTB0	00100000	RW
E6CC	1	FLOWSTBEDGE	Flowstate Rising/Falling Edge Configuration	0	0	0	0	0	0	FALLING	RISING	00000001	rrrrrb
E6CD	1	FLOWSTBPERIOD	Master-Strobe Half-Period	D7	D6	D5	D4	D3	D2	D1	D0	00000010	RW
E6CE	1	GPIFTCB3 <sup>[11]</sup>	GPIF Transaction Count Byte 3	TC31	TC30	TC29	TC28	TC27	TC26	TC25	TC24	00000000	RW
E6CF	1	GPIFTCB2 <sup>[11]</sup>	GPIF Transaction Count Byte 2	TC23	TC22	TC21	TC20	TC19	TC18	TC17	TC16	00000000	RW
E6D0	1	GPIFTCB1 <sup>[11]</sup>	GPIF Transaction Count Byte 1	TC15	TC14	TC13	TC12	TC11	TC10	TC9	TC8	00000000	RW
E6D1	1	GPIFTCB0 <sup>[11]</sup>	GPIF Transaction Count Byte 0	TC7	TC6	TC5	TC4	TC3	TC2	TC1	TC0	00000001	RW
	2	reserved										00000000	RW
		reserved											
		reserved											
E6D2	1	EP2GPIFFLGSEL <sup>[11]</sup>	Endpoint 2 GPIF Flag select	0	0	0	0	0	0	FS1	FS0	00000000	RW
E6D3	1	EP2GPIFPFSTOP	Endpoint 2 GPIF stop transaction on prog. flag	0	0	0	0	0	0	0	FIFO2FLAG	00000000	RW
E6D4	1	EP2GPIFTRIG <sup>[11]</sup>	Endpoint 2 GPIF Trigger	x	x	x	x	x	x	x	x	xxxxxxx	W
	3	reserved											
		reserved											
		reserved											
E6DA	1	EP4GPIFFLGSEL <sup>[11]</sup>	Endpoint 4 GPIF Flag select	0	0	0	0	0	0	FS1	FS0	00000000	RW
E6DB	1	EP4GPIFPFSTOP	Endpoint 4 GPIF stop transaction on GPIF Flag	0	0	0	0	0	0	0	FIFO4FLAG	00000000	RW
E6DC	1	EP4GPIFTRIG <sup>[11]</sup>	Endpoint 4 GPIF Trigger	x	x	x	x	x	x	x	x	xxxxxxx	W
	3	reserved											
		reserved											
		reserved											
E6E2	1	EP6GPIFFLGSEL <sup>[11]</sup>	Endpoint 6 GPIF Flag select	0	0	0	0	0	0	FS1	FS0	00000000	RW
E6E3	1	EP6GPIFPFSTOP	Endpoint 6 GPIF stop transaction on prog. flag	0	0	0	0	0	0	0	FIFO6FLAG	00000000	RW
E6E4	1	EP6GPIFTRIG <sup>[11]</sup>	Endpoint 6 GPIF Trigger	x	x	x	x	x	x	x	x	xxxxxxx	W
	3	reserved											
		reserved											
		reserved											
E6EA	1	EP8GPIFFLGSEL <sup>[11]</sup>	Endpoint 8 GPIF Flag select	0	0	0	0	0	0	FS1	FS0	00000000	RW
E6EB	1	EP8GPIFPFSTOP	Endpoint 8 GPIF stop transaction on prog. flag	0	0	0	0	0	0	0	FIFO8FLAG	00000000	RW
E6EC	1	EP8GPIFTRIG <sup>[11]</sup>	Endpoint 8 GPIF Trigger	x	x	x	x	x	x	x	x	xxxxxxx	W
	3	reserved											
E6F0	1	XGPIFSGLDATH	GPIF Data H (16-bit mode only)	D15	D14	D13	D12	D11	D10	D9	D8	xxxxxxx	RW
E6F1	1	XGPIFSGLDATLX	Read/Write GPIF Data L & trigger transaction	D7	D6	D5	D4	D3	D2	D1	D0	xxxxxxx	RW
E6F2	1	XGPIFSGLDATL-NOX	Read GPIF Data L, no transaction trigger	D7	D6	D5	D4	D3	D2	D1	D0	xxxxxxx	R
E6F3	1	GPIFREADYCFG	Internal RDY, Sync/Async, RDY pin states	INTRDY	SAS	TCXRDY5	0	0	0	0	0	00000000	bbrrrrr
E6F4	1	GPIFREADYSTAT	GPIF Ready Status	0	0	RDY5	RDY4	RDY3	RDY2	RDY1	RDY0	00xxxxx	R
E6F5	1	GPIFABORT	Abort GPIF Waveforms	x	x	x	x	x	x	x	x	xxxxxxx	W
E6F6	2	reserved											
		ENDPOINT BUFFERS											
E740	64	EP0BUF	EP0-IN-OUT buffer	D7	D6	D5	D4	D3	D2	D1	D0	xxxxxxx	RW
E780	64	EP10UTBUF	EP1-OUT buffer	D7	D6	D5	D4	D3	D2	D1	D0	xxxxxxx	RW
E7C0	64	EP1INBUF	EP1-IN buffer	D7	D6	D5	D4	D3	D2	D1	D0	xxxxxxx	RW
E800	2048	reserved											RW
F000	1024	EP2FIFOBUF	512/1024 byte EP 2 / slave FIFO buffer (IN or OUT)	D7	D6	D5	D4	D3	D2	D1	D0	xxxxxxx	RW
F400	512	EP4FIFOBUF	512 byte EP 4 / slave FIFO buffer (IN or OUT)	D7	D6	D5	D4	D3	D2	D1	D0	xxxxxxx	RW
F600	512	reserved											
F800	1024	EP6FIFOBUF	512/1024 byte EP 6 / slave FIFO buffer (IN or OUT)	D7	D6	D5	D4	D3	D2	D1	D0	xxxxxxx	RW
FC00	512	EP8FIFOBUF	512 byte EP 8 / slave FIFO buffer (IN or OUT)	D7	D6	D5	D4	D3	D2	D1	D0	xxxxxxx	RW
FE00	512	reserved											

**Table 12. FX2LP Register Summary (continued)**

Hex	Size	Name	Description	b7	b6	b5	b4	b3	b2	b1	b0	Default	Access
xxxx		I <sup>2</sup> C Configuration Byte		0	DISCON	0	0	0	0	0	400KHZ	xxxxxxxx [14]	n/a
Special Function Registers (SFRs)													
80	1	IOA <sup>[13]</sup>	Port A (bit addressable)	D7	D6	D5	D4	D3	D2	D1	D0	xxxxxxxx	RW
81	1	SP	Stack Pointer	D7	D6	D5	D4	D3	D2	D1	D0	00001111	RW
82	1	DPL0	Data Pointer 0 L	A7	A6	A5	A4	A3	A2	A1	A0	00000000	RW
83	1	DPH0	Data Pointer 0 H	A15	A14	A13	A12	A11	A10	A9	A8	00000000	RW
84	1	DPL1 <sup>[13]</sup>	Data Pointer 1 L	A7	A6	A5	A4	A3	A2	A1	A0	00000000	RW
85	1	DPH1 <sup>[13]</sup>	Data Pointer 1 H	A15	A14	A13	A12	A11	A10	A9	A8	00000000	RW
86	1	DPS <sup>[13]</sup>	Data Pointer 0/1 select	0	0	0	0	0	0	0	SEL	00000000	RW
87	1	PCON	Power Control	SMOD0	x	1	1	x	x	x	IDLE	00110000	RW
88	1	TCON	Timer/Counter Control (bit addressable)	TF1	TR1	TF0	TR0	IE1	IT1	IE0	IT0	00000000	RW
89	1	TMOD	Timer/Counter Mode Control	GATE	CT	M1	M0	GATE	CT	M1	M0	00000000	RW
8A	1	TL0	Timer 0 reload L	D7	D6	D5	D4	D3	D2	D1	D0	00000000	RW
8B	1	TL1	Timer 1 reload L	D7	D6	D5	D4	D3	D2	D1	D0	00000000	RW
8C	1	TH0	Timer 0 reload H	D15	D14	D13	D12	D11	D10	D9	D8	00000000	RW
8D	1	TH1	Timer 1 reload H	D15	D14	D13	D12	D11	D10	D9	D8	00000000	RW
8E	1	CKCON <sup>[13]</sup>	Clock Control	x	x	T2M	T1M	T0M	MD2	MD1	MD0	00000001	RW
8F	1	reserved											
90	1	IOB <sup>[13]</sup>	Port B (bit addressable)	D7	D6	D5	D4	D3	D2	D1	D0	xxxxxxxx	RW
91	1	EXIF <sup>[13]</sup>	External Interrupt Flag(s)	IE5	IE4	PCINT	USBNT	1	0	0	0	00001000	RW
92	1	MPAGE <sup>[13]</sup>	Upper Addr Byte of MOVX using @R0 / @R1	A15	A14	A13	A12	A11	A10	A9	A8	00000000	RW
93	5	reserved											
98	1	SCON0	Serial Port 0 Control (bit addressable)	SM0_0	SM1_0	SM2_0	REN_0	TB8_0	RB8_0	TI_0	RI_0	00000000	RW
99	1	SBUF0	Serial Port 0 Data Buffer	D7	D6	D5	D4	D3	D2	D1	D0	00000000	RW
9A	1	AUTOPTRH1 <sup>[13]</sup>	Autopointer 1 Address H	A15	A14	A13	A12	A11	A10	A9	A8	00000000	RW
9B	1	AUTOPTRL1 <sup>[13]</sup>	Autopointer 1 Address L	A7	A6	A5	A4	A3	A2	A1	A0	00000000	RW
9C	1	reserved											
9D	1	AUTOPTRH2 <sup>[13]</sup>	Autopointer 2 Address H	A15	A14	A13	A12	A11	A10	A9	A8	00000000	RW
9E	1	AUTOPTRL2 <sup>[13]</sup>	Autopointer 2 Address L	A7	A6	A5	A4	A3	A2	A1	A0	00000000	RW
9F	1	reserved											
A0	1	IOC <sup>[13]</sup>	Port C (bit addressable)	D7	D6	D5	D4	D3	D2	D1	D0	xxxxxxxx	RW
A1	1	INT2CLR <sup>[13]</sup>	Interrupt 2 clear	x	x	x	x	x	x	x	x	xxxxxxxx	W
A2	1	INT4CLR <sup>[13]</sup>	Interrupt 4 clear	x	x	x	x	x	x	x	x	xxxxxxxx	W
A3	5	reserved											
A8	1	IE	Interrupt Enable (bit addressable)	EA	ES1	ET2	ES0	ET1	EX1	ET0	EX0	00000000	RW
A9	1	reserved											
AA	1	EP2468STAT <sup>[13]</sup>	Endpoint 2,4,6,8 status flags	EP8F	EP8E	EP6F	EP6E	EP4F	EP4E	EP2F	EP2E	01011010	R
AB	1	EP24FIFOFLGS <sup>[13]</sup>	Endpoint 2,4 slave FIFO status flags	0	EP4PF	EP4EF	EP4FF	0	EP2PF	EP2EF	EP2FF	00100010	R
AC	1	EP68FIFOFLGS <sup>[13]</sup>	Endpoint 6,8 slave FIFO status flags	0	EP8PF	EP8EF	EP8FF	0	EP6PF	EP6EF	EP6FF	01100110	R
AD	2	reserved											
AF	1	AUTOPTRSETUP <sup>[13]</sup>	Autopointer 1&2 setup	0	0	0	0	0	APTR2INC	APTR1INC	APTREN	00000110	RW
B0	1	IOD <sup>[13]</sup>	Port D (bit addressable)	D7	D6	D5	D4	D3	D2	D1	D0	xxxxxxxx	RW
B1	1	IOE <sup>[13]</sup>	Port E (NOT bit addressable)	D7	D6	D5	D4	D3	D2	D1	D0	xxxxxxxx	RW
B2	1	OEA <sup>[13]</sup>	Port A Output Enable	D7	D6	D5	D4	D3	D2	D1	D0	00000000	RW
B3	1	OEB <sup>[13]</sup>	Port B Output Enable	D7	D6	D5	D4	D3	D2	D1	D0	00000000	RW
B4	1	OEC <sup>[13]</sup>	Port C Output Enable	D7	D6	D5	D4	D3	D2	D1	D0	00000000	RW
B5	1	OED <sup>[13]</sup>	Port D Output Enable	D7	D6	D5	D4	D3	D2	D1	D0	00000000	RW
B6	1	OEE <sup>[13]</sup>	Port E Output Enable	D7	D6	D5	D4	D3	D2	D1	D0	00000000	RW
B7	1	reserved											
B8	1	IP	Interrupt Priority (bit addressable)	1	PS1	PT2	PS0	PT1	PX1	PT0	PX0	10000000	RW
B9	1	reserved											
BA	1	EP01STAT <sup>[13]</sup>	Endpoint 0&1 Status	0	0	0	0	0	EP1INBSY	EP1OUTBSY	EP0BSY	00000000	R
BB	1	GPIFTRIG <sup>[13, 11]</sup>	Endpoint 2,4,6,8 GPIF slave FIFO Trigger	DONE	0	0	0	0	RW	EP1	EP0	10000xxx	brrrbbb
BC	1	reserved											
BD	1	GPIFSGLDATH <sup>[13]</sup>	GPIF Data H (16-bit mode only)	D15	D14	D13	D12	D11	D10	D9	D8	xxxxxxxx	RW

**Note**

- 13. SFRs not part of the standard 8051 architecture.
- 14. If no EEPROM is detected by the SIE then the default is 00000000.

**Table 12. FX2LP Register Summary (continued)**

Hex	Size	Name	Description	b7	b6	b5	b4	b3	b2	b1	b0	Default	Access
BE	1	GPIFSGLDATLX <sup>[13]</sup>	GPIF Data L w/ Trigger	D7	D6	D5	D4	D3	D2	D1	D0	xxxxxxx	RW
BF	1	GPIFSGLDATL- NOX <sup>[13]</sup>	GPIF Data L w/ No Trigger	D7	D6	D5	D4	D3	D2	D1	D0	xxxxxxx	R
C0	1	SCON1 <sup>[13]</sup>	Serial Port 1 Control (bit addressable)	SM0_1	SM1_1	SM2_1	REN_1	TB8_1	RB8_1	TI_1	RI_1	00000000	RW
C1	1	SBUF1 <sup>[13]</sup>	Serial Port 1 Data Buffer	D7	D6	D5	D4	D3	D2	D1	D0	00000000	RW
C2	6	reserved											
C8	1	T2CON	Timer/Counter 2 Control (bit addressable)	TF2	EXF2	RCLK	TCLK	EXEN2	TR2	CT2	CPRL2	00000000	RW
C9	1	reserved											
CA	1	RCAP2L	Capture for Timer 2, auto-reload, up-counter	D7	D6	D5	D4	D3	D2	D1	D0	00000000	RW
CB	1	RCAP2H	Capture for Timer 2, auto-reload, up-counter	D7	D6	D5	D4	D3	D2	D1	D0	00000000	RW
CC	1	TL2	Timer 2 reload L	D7	D6	D5	D4	D3	D2	D1	D0	00000000	RW
CD	1	TH2	Timer 2 reload H	D15	D14	D13	D12	D11	D10	D9	D8	00000000	RW
CE	2	reserved											
D0	1	PSW	Program Status Word (bit addressable)	CY	AC	F0	RS1	RS0	OV	F1	P	00000000	RW
D1	7	reserved											
D8	1	EICON <sup>[13]</sup>	External Interrupt Control	SMOD1	1	ERESI	RESI	INT6	0	0	0	01000000	RW
D9	7	reserved											
E0	1	ACC	Accumulator (bit addressable)	D7	D6	D5	D4	D3	D2	D1	D0	00000000	RW
E1	7	reserved											
E8	1	EIE <sup>[13]</sup>	External Interrupt Enable(s)	1	1	1	EX6	EX5	EX4	EiPC	EUSB	11100000	RW
E9	7	reserved											
F0	1	B	B (bit addressable)	D7	D6	D5	D4	D3	D2	D1	D0	00000000	RW
F1	7	reserved											
F8	1	EIP <sup>[13]</sup>	External Interrupt Priority Control	1	1	1	PX6	PX5	PX4	PIPC	PUSB	11100000	RW
F9	7	reserved											

R = all bits read-only  
W = all bits write-only  
r = read-only bit  
w = write-only bit  
b = both read/write bit

## 6. Absolute Maximum Ratings

Exceeding maximum ratings may impair the useful life of the device. These user guidelines are not tested.

Storage Temperature .....	-65°C to +150°C
Ambient Temperature with Power Supplied (Commercial).....	0°C to +70°C
Ambient Temperature with Power Supplied (Industrial) .....	-40°C to + 105°C
Supply Voltage to Ground Potential.....	-0.5V to +4.0V
DC Input Voltage to Any Input Pin <sup>[15]</sup> .....	5.25V
DC Voltage Applied to Outputs in High Z State .....	-0.5V to VCC + 0.5V
Power Dissipation.....	300 mW
Static Discharge Voltage.....	>2000V

Max Output Current, per I/O port.....	10 mA
Max Output Current, all five I/O ports (128- and 100-pin packages).....	50 mA

## 7. Operating Conditions

T <sub>A</sub> (Ambient Temperature Under Bias) Commercial .....	0°C to +70°C
T <sub>A</sub> (Ambient Temperature Under Bias) Industrial.....	-40°C to +105°C
Supply Voltage.....	+3.00V to +3.60V
Ground Voltage.....	0V
F <sub>OSC</sub> (Oscillator or Crystal Frequency).....	24 MHz ± 10 ppm, Parallel Resonant

## 8. Thermal Characteristics

The following table displays the thermal characteristics of various packages:

**Table 13. Thermal Characteristics**

Package	$\theta_a$ Ambient Temperature (°C)	$\theta_{Jc}$ Junction to Case Temperature (°C/W)	$\theta_{Ca}$ Case to Ambient Temperature (°C/W)	$\theta_{Ja}$ Junction to Ambient Temperature $\theta_{Jc} + \theta_{Ca}$ (°C/W)
56 SSOP	70	24.4	23.3	47.7
100 TQFP	70	11.9	34.0	45.9
128 TQFP	70	15.5	27.7	43.2
56 QFN	70	10.6	14.6	25.2
56 VFBGA	70	30.9	27.7	58.6

The Junction Temperature  $\theta_j$ , can be calculated using the following equation:  $\theta_j = P \cdot \theta_{Ja} + \theta_a$

where,

P = Power

$\theta_{Ja}$  = Junction to Ambient Temperature ( $\theta_{Jc} + \theta_{Ca}$ )

$\theta_a$  = Ambient Temperature (70 C)

The Case Temperature  $\theta_c$ , can be calculated using the following equation:  $\theta_c = P \cdot \theta_{Ca} + \theta_a$

where,

P = Power

$\theta_{Ca}$  = Case to Ambient Temperature

$\theta_a$  = Ambient Temperature (70 C)

**Note**

15. Do not power I/O with chip power off.

## 9. DC Characteristics

**Table 14. DC Characteristics**

Parameter	Description	Conditions	Min	Typ	Max	Unit
VCC	Supply Voltage		3.00	3.3	3.60	V
VCC Ramp Up	0 to 3.3V		200			μs
V <sub>IH</sub>	Input HIGH Voltage		2		5.25	V
V <sub>IL</sub>	Input LOW Voltage		-0.5		0.8	V
V <sub>IH_X</sub>	Crystal Input HIGH Voltage		2		5.25	V
V <sub>IL_X</sub>	Crystal Input LOW Voltage		-0.5		0.8	V
I <sub>I</sub>	Input Leakage Current	0 < V <sub>IN</sub> < VCC			±10	μA
V <sub>OH</sub>	Output Voltage HIGH	I <sub>OUT</sub> = 4 mA	2.4			V
V <sub>OL</sub>	Output LOW Voltage	I <sub>OUT</sub> = -4 mA			0.4	V
I <sub>OH</sub>	Output Current HIGH				4	mA
I <sub>OL</sub>	Output Current LOW				4	mA
C <sub>IN</sub>	Input Pin Capacitance	Except D+/D-			10	pF
		D+/D-			15	pF
I <sub>SUSP</sub>	Suspend Current CY7C68014/CY7C68016	Connected		300	380 <sup>[16]</sup>	μA
		Disconnected		100	150 <sup>[16]</sup>	μA
	Suspend Current CY7C68013/CY7C68015	Connected		0.5	1.2 <sup>[16]</sup>	mA
		Disconnected		0.3	1.0 <sup>[16]</sup>	mA
I <sub>CC</sub>	Supply Current	8051 running, connected to USB HS		50	85	mA
		8051 running, connected to USB FS		35	65	mA
T <sub>RESET</sub>	Reset Time after Valid Power	VCC min = 3.0V	5.0			mS
	Pin Reset after powered on		200			μS

### 9.1 USB Transceiver

USB 2.0 compliant in full speed and high speed modes.

## 10. AC Electrical Characteristics

### 10.1 USB Transceiver

USB 2.0 compliant in full speed and high speed modes.

**Note**

16. Measured at Max VCC, 25°C.

## 10.2 Program Memory Read

Figure 12. Program Memory Read Timing Diagram

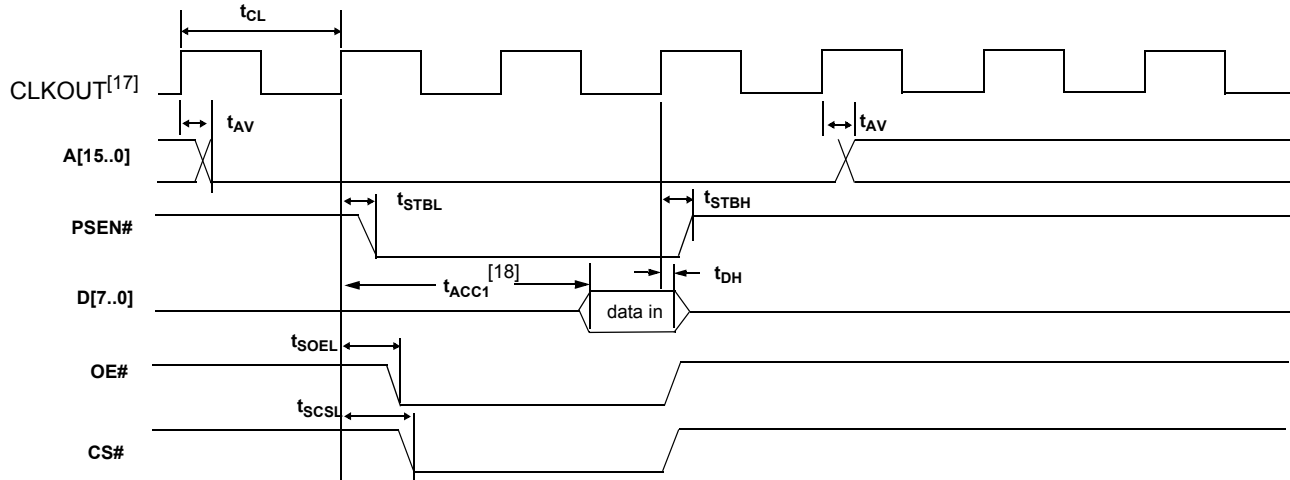


Table 15. Program Memory Read Parameters

Parameter	Description	Min	Typ	Max	Unit	Notes
$t_{CL}$	1/CLKOUT Frequency		20.83		ns	48 MHz
			41.66		ns	24 MHz
			83.2		ns	12 MHz
$t_{AV}$	Delay from Clock to Valid Address	0		10.7	ns	
$t_{STBL}$	Clock to PSEN Low	0		8	ns	
$t_{STBH}$	Clock to PSEN High	0		8	ns	
$t_{SOEL}$	Clock to OE Low			11.1	ns	
$t_{SCSL}$	Clock to CS Low			13	ns	
$t_{DSU}$	Data Setup to Clock	9.6			ns	
$t_{DH}$	Data Hold Time	0			ns	

### Notes

17. CLKOUT is shown with positive polarity.  
 18.  $t_{ACC1}$  is computed from the above parameters as follows:  
 $t_{ACC1}(24\text{ MHz}) = 3 \cdot t_{CL} - t_{AV} - t_{DSU} = 106\text{ ns}$   
 $t_{ACC1}(48\text{ MHz}) = 3 \cdot t_{CL} - t_{AV} - t_{DSU} = 43\text{ ns}$ .

### 10.3 Data Memory Read

Figure 13. Data Memory Read Timing Diagram

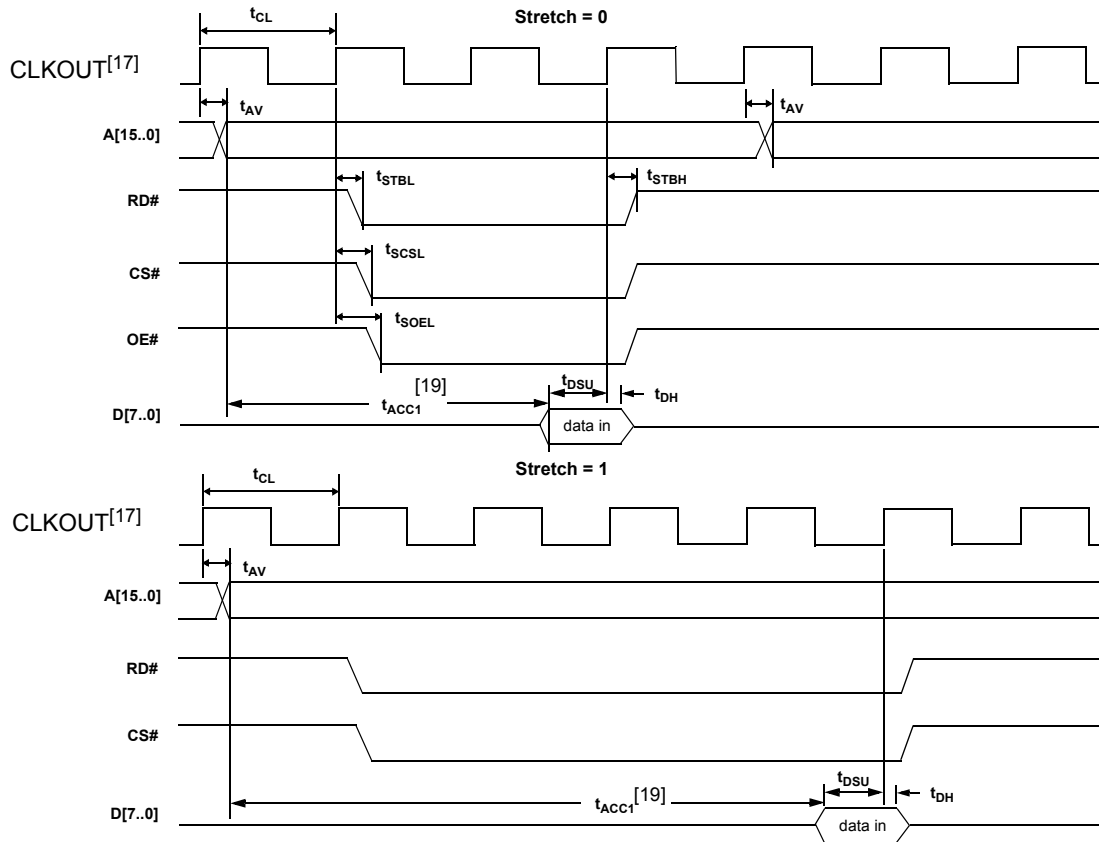


Table 16. Data Memory Read Parameters

Parameter	Description	Min	Typ	Max	Unit	Notes
$t_{CL}$	1/CLKOUT Frequency		20.83		ns	48 MHz
			41.66		ns	24 MHz
			83.2		ns	12 MHz
$t_{AV}$	Delay from Clock to Valid Address			10.7	ns	
$t_{STBL}$	Clock to RD LOW			11	ns	
$t_{STBH}$	Clock to RD HIGH			11	ns	
$t_{SCSL}$	Clock to CS LOW			13	ns	
$t_{SOEL}$	Clock to OE LOW			11.1	ns	
$t_{DSU}$	Data Setup to Clock	9.6			ns	
$t_{DH}$	Data Hold Time	0			ns	

When using the AUTPOPTR1 or AUTOPTR2 to address external memory, the address of AUTOPTR1 is only active while either RD# or WR# are active. The address of AUTOPTR2 is active throughout the cycle and meets the above address valid time for which is based on the stretch value

**Note**

19.  $t_{ACC2}$  and  $t_{ACC3}$  are computed from the above parameters as follows:  
 $t_{ACC2}(24\text{ MHz}) = 3 \cdot t_{CL} - t_{AV} - t_{DSU} = 106\text{ ns}$   
 $t_{ACC2}(48\text{ MHz}) = 3 \cdot t_{CL} - t_{AV} - t_{DSU} = 43\text{ ns}$   
 $t_{ACC3}(24\text{ MHz}) = 5 \cdot t_{CL} - t_{AV} - t_{DSU} = 190\text{ ns}$   
 $t_{ACC3}(48\text{ MHz}) = 5 \cdot t_{CL} - t_{AV} - t_{DSU} = 86\text{ ns}$ .

### 10.4 Data Memory Write

Figure 14. Data Memory Write Timing Diagram

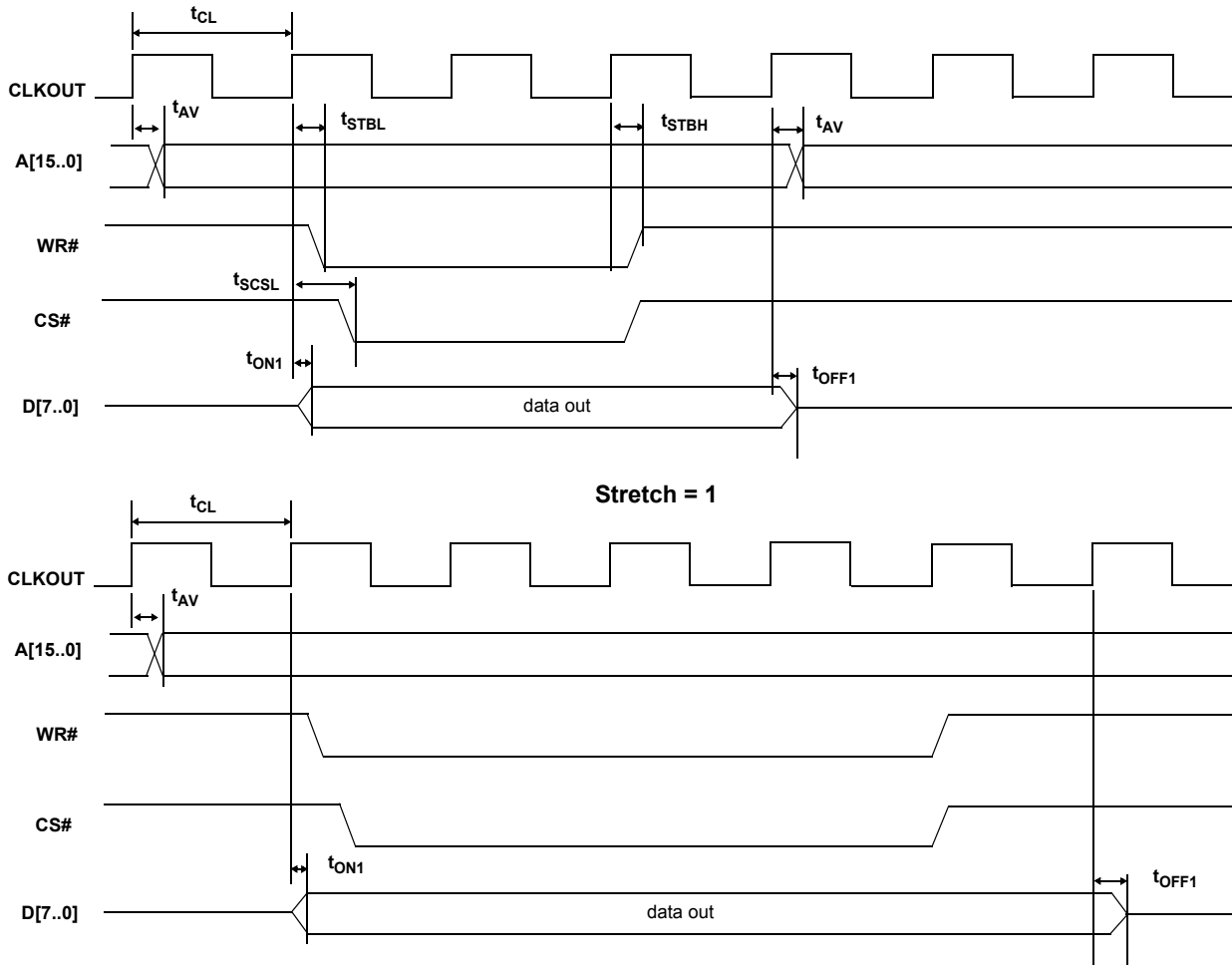


Table 17. Data Memory Write Parameters

Parameter	Description	Min	Max	Unit	Notes
$t_{AV}$	Delay from Clock to Valid Address	0	10.7	ns	
$t_{STBL}$	Clock to WR Pulse LOW	0	11.2	ns	
$t_{STBH}$	Clock to WR Pulse HIGH	0	11.2	ns	
$t_{SCSL}$	Clock to CS Pulse LOW		13.0	ns	
$t_{ON1}$	Clock to Data Turn-on	0	13.1	ns	
$t_{OFF1}$	Clock to Data Hold Time	0	13.1	ns	

When using the AUTPOPTR1 or AUTOPTR2 to address external memory, the address of AUTOPTR1 is only active while either RD# or WR# are active. The address of AUTOPTR2 is active throughout the cycle and meets the above address valid time for which is based on the stretch value.



### 10.5 PORTC Strobe Feature Timings

The RD# and WR# are present in the 100-pin version and the 128-pin package. In these 100-pin and 128-pin versions, an 8051 control bit can be set to pulse the RD# and WR# pins when the 8051 reads from or writes to PORTC. This feature is enabled by setting PORTCSTB bit in CPUCS register.

The RD# and WR# strobes are asserted for two CLKOUT cycles when PORTC is accessed.

The WR# strobe is asserted two clock cycles after PORTC is updated and is active for two clock cycles after that, as shown in Figure 15.

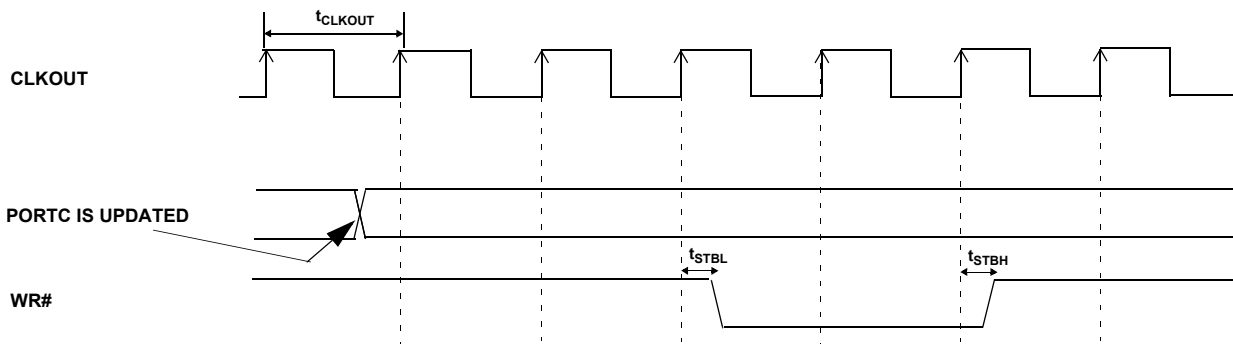
As for read, the value of PORTC three clock cycles before the assertion of RD# is the value that the 8051 reads in. The RD# is pulsed for 2 clock cycles after 3 clock cycles from the point when the 8051 has performed a read function on PORTC.

The RD# signal prompts the external logic to prepare the next data byte. Nothing gets sampled internally on assertion of the RD# signal itself, it is just a prefetch type signal to get the next data byte prepared. So, using it with that in mind easily meets the setup time to the next read.

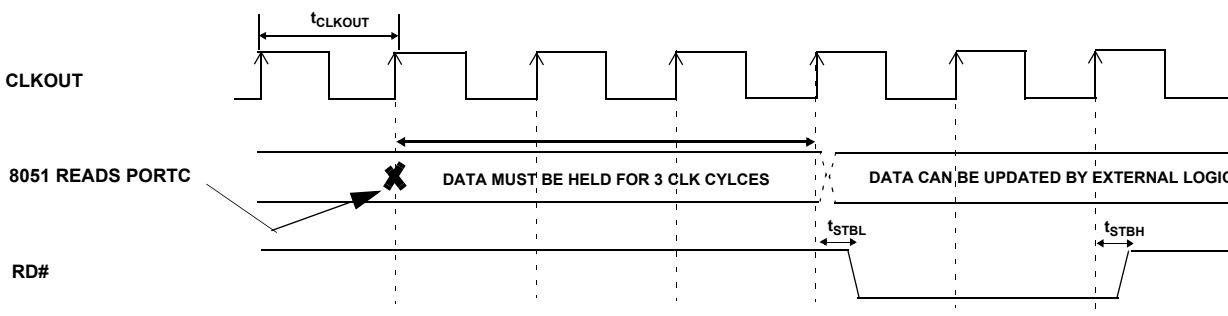
The purpose of this pulsing of RD# is to allow the external peripheral to know that the 8051 is done reading PORTC and the data was latched into PORTC three CLKOUT cycles before asserting the RD# signal. After the RD# is pulsed, the external logic can update the data on PORTC.

Following is the timing diagram of the read and write strobing function on accessing PORTC. Refer to Section 10.3 and Section 10.4 for details on propagation delay of RD# and WR# signals.

**Figure 15. WR# Strobe Function when PORTC is Accessed by 8051**



**Figure 16. RD# Strobe Function when PORTC is Accessed by 8051**



## 10.6 GPIF Synchronous Signals

Figure 17. GPIF Synchronous Signals Timing Diagram<sup>[20]</sup>

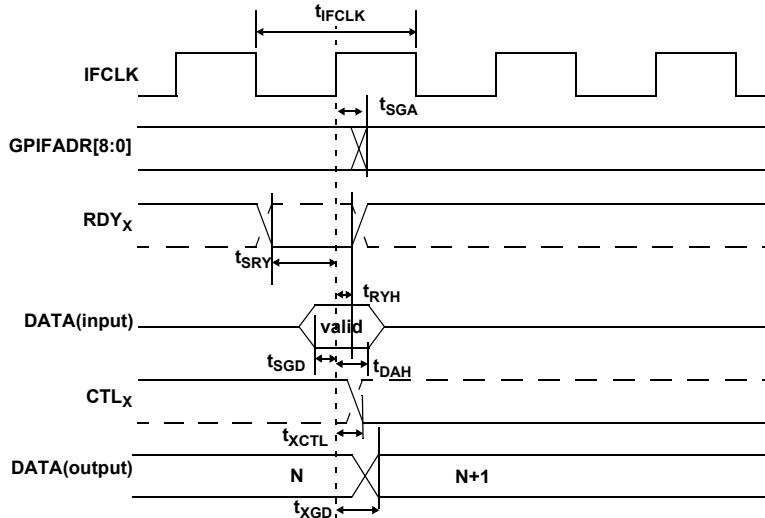


Table 18. GPIF Synchronous Signals Parameters with Internally Sourced IFCLK<sup>[20, 21]</sup>

Parameter	Description	Min	Max	Unit
$t_{IFCLK}$	IFCLK Period	20.83		ns
$t_{SRY}$	RDY <sub>x</sub> to Clock Setup Time	8.9		ns
$t_{RYH}$	Clock to RDY <sub>x</sub>	0		ns
$t_{SGD}$	GPIF Data to Clock Setup Time	9.2		ns
$t_{DAH}$	GPIF Data Hold Time	0		ns
$t_{SGA}$	Clock to GPIF Address Propagation Delay		7.5	ns
$t_{XGD}$	Clock to GPIF Data Output Propagation Delay		11	ns
$t_{XCTL}$	Clock to CTL <sub>x</sub> Output Propagation Delay		6.7	ns

Table 19. GPIF Synchronous Signals Parameters with Externally Sourced IFCLK<sup>[21]</sup>

Parameter	Description	Min.	Max.	Unit
$t_{IFCLK}$	IFCLK Period <sup>[22]</sup>	20.83	200	ns
$t_{SRY}$	RDY <sub>x</sub> to Clock Setup Time	2.9		ns
$t_{RYH}$	Clock to RDY <sub>x</sub>	3.7		ns
$t_{SGD}$	GPIF Data to Clock Setup Time	3.2		ns
$t_{DAH}$	GPIF Data Hold Time	4.5		ns
$t_{SGA}$	Clock to GPIF Address Propagation Delay		11.5	ns
$t_{XGD}$	Clock to GPIF Data Output Propagation Delay		15	ns
$t_{XCTL}$	Clock to CTL <sub>x</sub> Output Propagation Delay		10.7	ns

### Notes

20. Dashed lines denote signals with programmable polarity.

21. GPIF asynchronous RDY<sub>x</sub> signals have a minimum Setup time of 50 ns when using internal 48-MHz IFCLK.

22. IFCLK must not exceed 48 MHz.

### 10.7 Slave FIFO Synchronous Read

Figure 18. Slave FIFO Synchronous Read Timing Diagram<sup>[20]</sup>

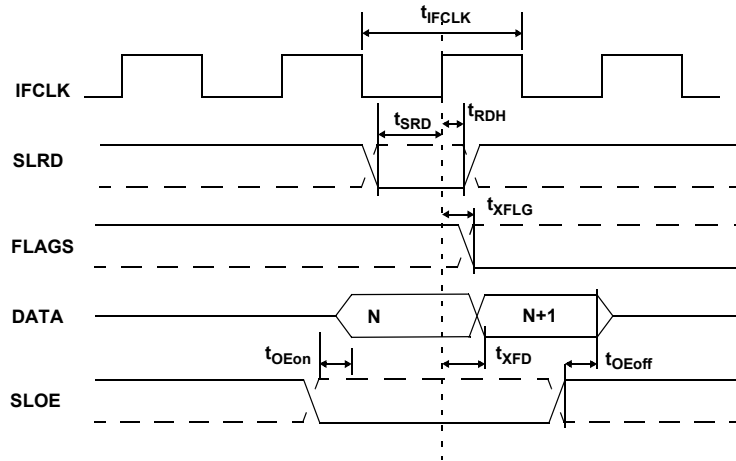


Table 20. Slave FIFO Synchronous Read Parameters with Internally Sourced IFCLK<sup>[21]</sup>

Parameter	Description	Min	Max	Unit
$t_{IFCLK}$	IFCLK Period	20.83		ns
$t_{SRD}$	SLRD to Clock Setup Time	18.7		ns
$t_{RDH}$	Clock to SLRD Hold Time	0		ns
$t_{OEon}$	SLOE Turn-on to FIFO Data Valid		10.5	ns
$t_{OEoff}$	SLOE Turn-off to FIFO Data Hold		10.5	ns
$t_{XFLG}$	Clock to FLAGS Output Propagation Delay		9.5	ns
$t_{XFD}$	Clock to FIFO Data Output Propagation Delay		11	ns

Table 21. Slave FIFO Synchronous Read Parameters with Externally Sourced IFCLK<sup>[21]</sup>

Parameter	Description	Min	Max	Unit
$t_{IFCLK}$	IFCLK Period	20.83	200	ns
$t_{SRD}$	SLRD to Clock Setup Time	12.7		ns
$t_{RDH}$	Clock to SLRD Hold Time	3.7		ns
$t_{OEon}$	SLOE Turn-on to FIFO Data Valid		10.5	ns
$t_{OEoff}$	SLOE Turn-off to FIFO Data Hold		10.5	ns
$t_{XFLG}$	Clock to FLAGS Output Propagation Delay		13.5	ns
$t_{XFD}$	Clock to FIFO Data Output Propagation Delay		15	ns

### 10.8 Slave FIFO Asynchronous Read

Figure 19. Slave FIFO Asynchronous Read Timing Diagram<sup>[20]</sup>

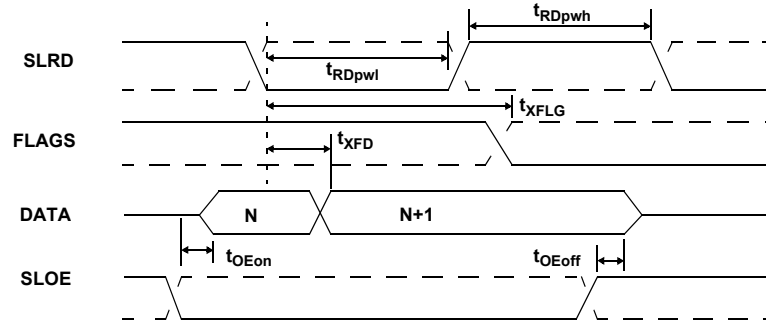


Table 22. Slave FIFO Asynchronous Read Parameters<sup>[23]</sup>

Parameter	Description	Min	Max	Unit
$t_{RDpwl}$	SLRD Pulse Width LOW	50		ns
$t_{RDpwh}$	SLRD Pulse Width HIGH	50		ns
$t_{XFLG}$	SLRD to FLAGS Output Propagation Delay		70	ns
$t_{XFD}$	SLRD to FIFO Data Output Propagation Delay		15	ns
$t_{OEon}$	SLOE Turn-on to FIFO Data Valid		10.5	ns
$t_{OEoff}$	SLOE Turn-off to FIFO Data Hold		10.5	ns

**Note**

23. Slave FIFO asynchronous parameter values use internal IFCLK setting at 48 MHz.

### 10.9 Slave FIFO Synchronous Write

Figure 20. Slave FIFO Synchronous Write Timing Diagram<sup>[20]</sup>

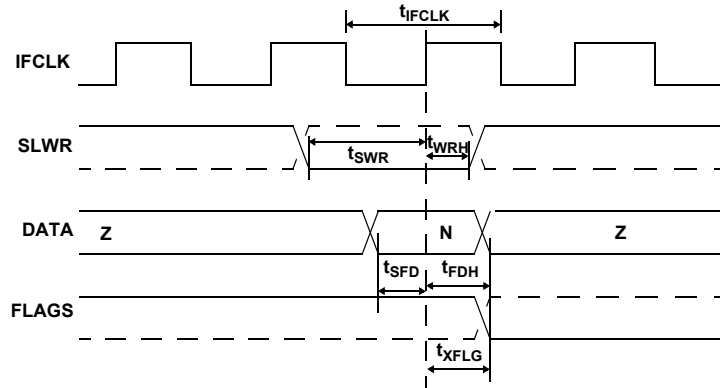


Table 23. Slave FIFO Synchronous Write Parameters with Internally Sourced IFCLK<sup>[21]</sup>

Parameter	Description	Min	Max	Unit
$t_{IFCLK}$	IFCLK Period	20.83		ns
$t_{SWR}$	SLWR to Clock Setup Time	10.4		ns
$t_{WRH}$	Clock to SLWR Hold Time	0		ns
$t_{SFD}$	FIFO Data to Clock Setup Time	9.2		ns
$t_{FDH}$	Clock to FIFO Data Hold Time	0		ns
$t_{XFLG}$	Clock to FLAGS Output Propagation Time		9.5	ns

Table 24. Slave FIFO Synchronous Write Parameters with Externally Sourced IFCLK<sup>[21]</sup>

Parameter	Description	Min	Max	Unit
$t_{IFCLK}$	IFCLK Period	20.83	200	ns
$t_{SWR}$	SLWR to Clock Setup Time	12.1		ns
$t_{WRH}$	Clock to SLWR Hold Time	3.6		ns
$t_{SFD}$	FIFO Data to Clock Setup Time	3.2		ns
$t_{FDH}$	Clock to FIFO Data Hold Time	4.5		ns
$t_{XFLG}$	Clock to FLAGS Output Propagation Time		13.5	ns

### 10.10 Slave FIFO Asynchronous Write

Figure 21. Slave FIFO Asynchronous Write Timing Diagram<sup>[20]</sup>

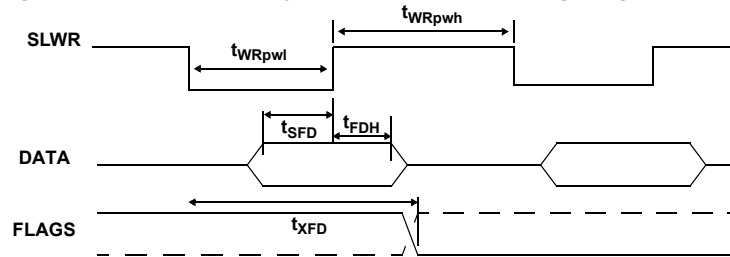


Table 25. Slave FIFO Asynchronous Write Parameters with Internally Sourced IFCLK<sup>[23]</sup>

Parameter	Description	Min	Max	Unit
$t_{WRpwl}$	SLWR Pulse LOW	50		ns
$t_{WRpwh}$	SLWR Pulse HIGH	70		ns
$t_{SFD}$	SLWR to FIFO DATA Setup Time	10		ns
$t_{FDH}$	FIFO DATA to SLWR Hold Time	10		ns
$t_{XFD}$	SLWR to FLAGS Output Propagation Delay		70	ns

### 10.11 Slave FIFO Synchronous Packet End Strobe

Figure 22. Slave FIFO Synchronous Packet End Strobe Timing Diagram<sup>[20]</sup>

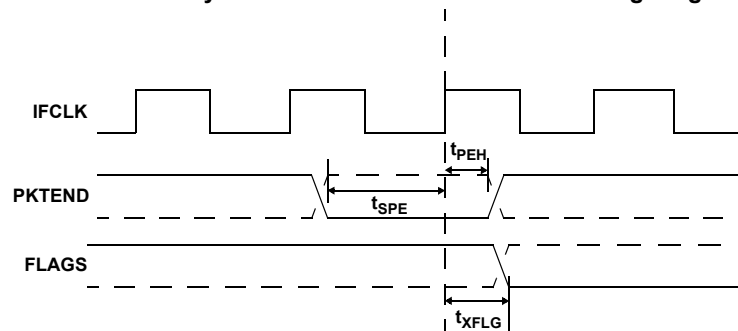


Table 26. Slave FIFO Synchronous Packet End Strobe Parameters with Internally Sourced IFCLK<sup>[21]</sup>

Parameter	Description	Min	Max	Unit
$t_{IFCLK}$	IFCLK Period	20.83		ns
$t_{SPE}$	PKTEND to Clock Setup Time	14.6		ns
$t_{PEH}$	Clock to PKTEND Hold Time	0		ns
$t_{XFLG}$	Clock to FLAGS Output Propagation Delay		9.5	ns

Table 27. Slave FIFO Synchronous Packet End Strobe Parameters with Externally Sourced IFCLK<sup>[21]</sup>

Parameter	Description	Min	Max	Unit
$t_{IFCLK}$	IFCLK Period	20.83	200	ns
$t_{SPE}$	PKTEND to Clock Setup Time	8.6		ns
$t_{PEH}$	Clock to PKTEND Hold Time	2.5		ns
$t_{XFLG}$	Clock to FLAGS Output Propagation Delay		13.5	ns

There is no specific timing requirement that should be met for asserting PKTEND pin to asserting SLWR. PKTEND can be asserted with the last data value clocked into the FIFOs or thereafter. The setup time  $t_{SPE}$  and the hold time  $t_{PEH}$  must be met.

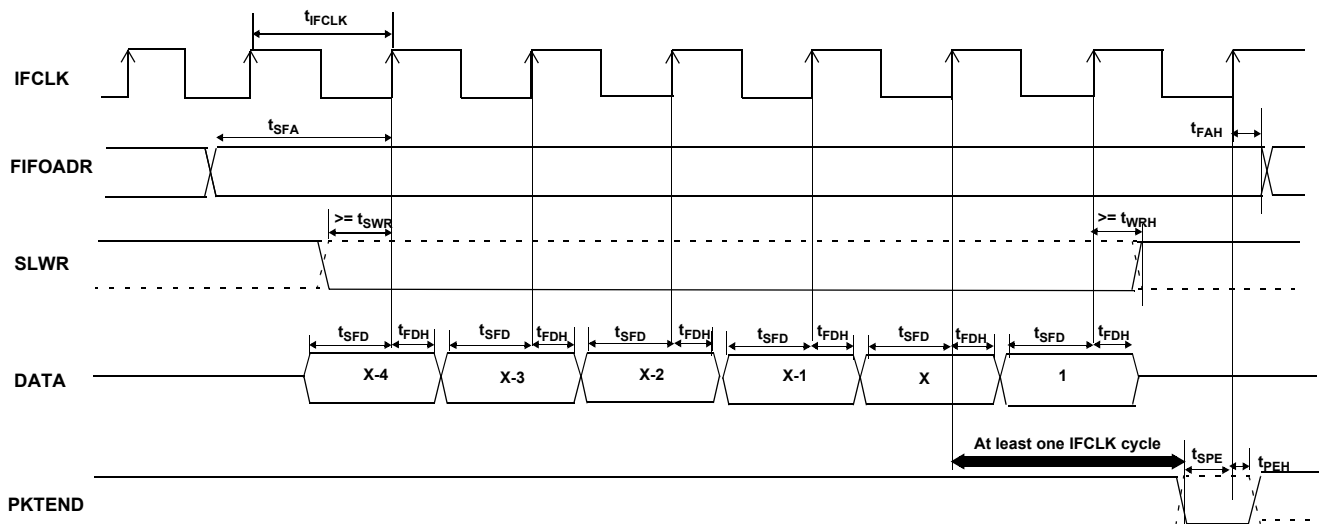
Although there are no specific timing requirements for the PKTEND assertion, there is a specific corner case condition that needs attention while using the PKTEND to commit a one byte or word packet. There is an additional timing requirement that needs to be met when the FIFO is configured to operate in auto mode and it is required to send two packets back to back: a full packet (full defined as the number of bytes in the FIFO meeting the level set in AUTOINLEN register) committed automatically followed by a short one byte or word packet committed manually using the PKTEND pin. In this scenario, the user must ensure to assert PKTEND at least one clock cycle after the rising edge that

caused the last byte or word to be clocked into the previous auto committed packet. Figure 23 shows this scenario. X is the value the AUTOINLEN register is set to when the IN endpoint is configured to be in auto mode.

Figure 23 shows a scenario where two packets are committed. The first packet gets committed automatically when the number of bytes in the FIFO reaches X (value set in AUTOINLEN register) and the second one byte/word short packet being committed manually using PKTEND.

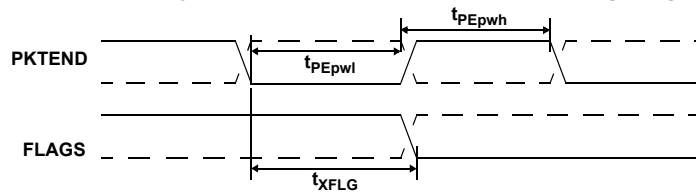
Note that there is at least one IFCLK cycle timing between the assertion of PKTEND and clocking of the last byte of the previous packet (causing the packet to be committed automatically). Failing to adhere to this timing results in the FX2 failing to send the one byte or word short packet.

**Figure 23. Slave FIFO Synchronous Write Sequence and Timing Diagram<sup>[20]</sup>**



## 10.12 Slave FIFO Asynchronous Packet End Strobe

**Figure 24. Slave FIFO Asynchronous Packet End Strobe Timing Diagram<sup>[20]</sup>**



**Table 28. Slave FIFO Asynchronous Packet End Strobe Parameters<sup>[23]</sup>**

Parameter	Description	Min	Max	Unit
$t_{PEpwl}$	PKTEND Pulse Width LOW	50		ns
$t_{PEpwh}$	PKTEND Pulse Width HIGH	50		ns
$t_{XFLG}$	PKTEND to FLAGS Output Propagation Delay		115	ns

### 10.13 Slave FIFO Output Enable

Figure 25. Slave FIFO Output Enable Timing Diagram<sup>[20]</sup>

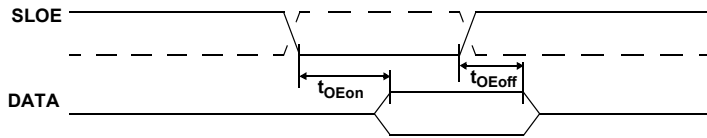


Table 29. Slave FIFO Output Enable Parameters

Parameter	Description	Min	Max	Unit
$t_{OEon}$	SLOE Assert to FIFO DATA Output		10.5	ns
$t_{OEoff}$	SLOE Deassert to FIFO DATA Hold		10.5	ns

### 10.14 Slave FIFO Address to Flags/Data

Figure 26. Slave FIFO Address to Flags/Data Timing Diagram<sup>[20]</sup>

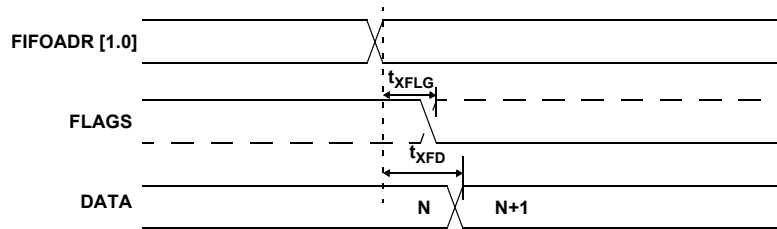


Table 30. Slave FIFO Address to Flags/Data Parameters

Parameter	Description	Min	Max	Unit
$t_{XFLG}$	FIFOADR[1:0] to FLAGS Output Propagation Delay		10.7	ns
$t_{XFD}$	FIFOADR[1:0] to FIFODATA Output Propagation Delay		14.3	ns



### 10.15 Slave FIFO Synchronous Address

Figure 27. Slave FIFO Synchronous Address Timing Diagram<sup>[20]</sup>

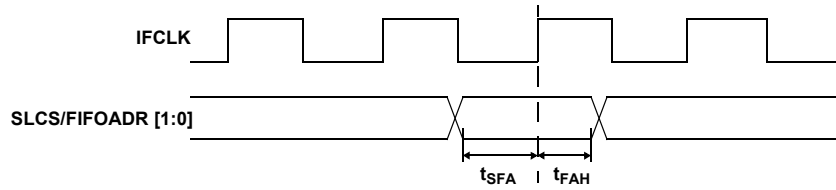


Table 31. Slave FIFO Synchronous Address Parameters<sup>[21]</sup>

Parameter	Description	Min	Max	Unit
$t_{IFCLK}$	Interface Clock Period	20.83	200	ns
$t_{SFA}$	FIFOADR[1:0] to Clock Setup Time	25		ns
$t_{FAH}$	Clock to FIFOADR[1:0] Hold Time	10		ns

### 10.16 Slave FIFO Asynchronous Address

Figure 28. Slave FIFO Asynchronous Address Timing Diagram<sup>[20]</sup>

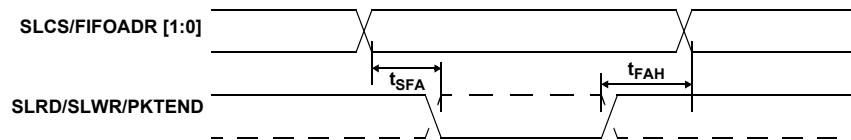


Table 32. Slave FIFO Asynchronous Address Parameters<sup>[23]</sup>

Parameter	Description	Min	Max	Unit
$t_{SFA}$	FIFOADR[1:0] to SLRD/SLWR/PKTEND Setup Time	10		ns
$t_{FAH}$	RD/WR/PKTEND to FIFOADR[1:0] Hold Time	10		ns

## 10.17 Sequence Diagram

### 10.17.1 Single and Burst Synchronous Read Example

Figure 29. Slave FIFO Synchronous Read Sequence and Timing Diagram<sup>[20]</sup>

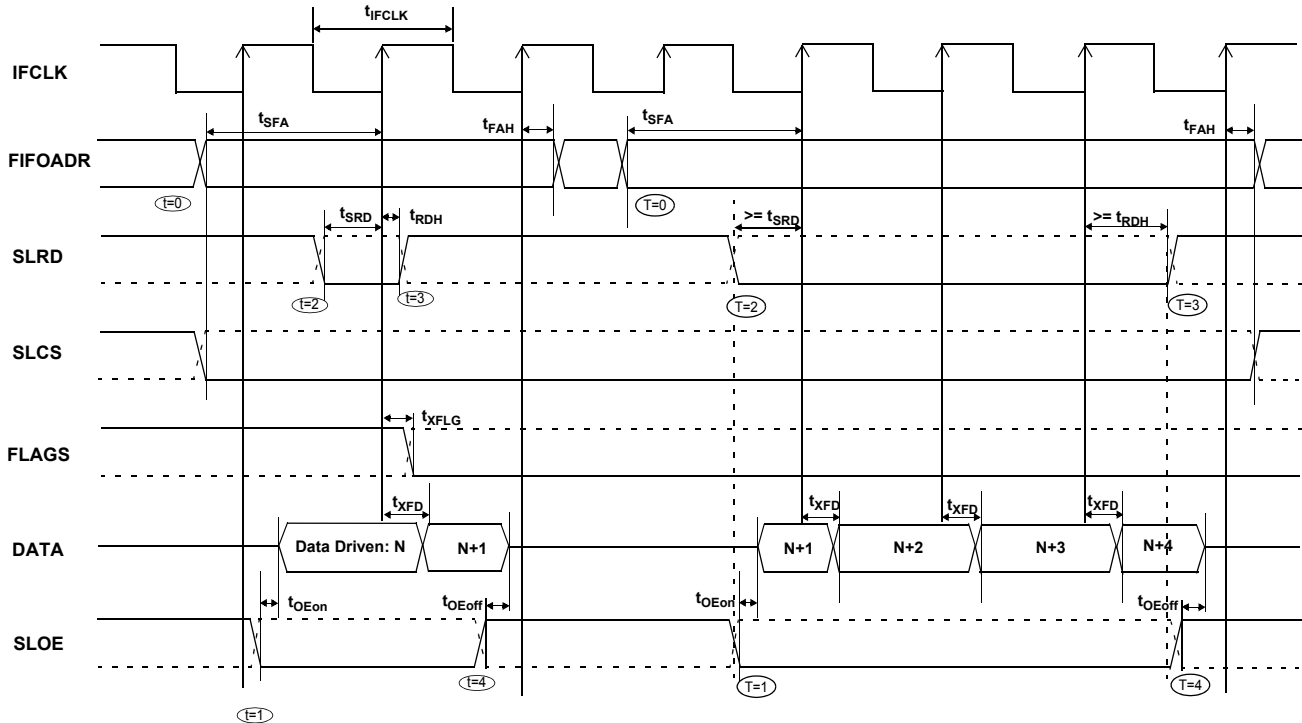


Figure 30. Slave FIFO Synchronous Sequence of Events Diagram

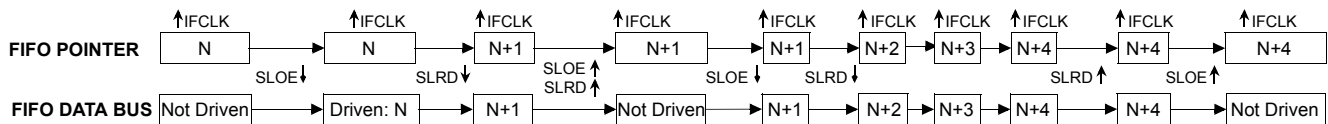


Figure 29 shows the timing relationship of the SLAVE FIFO signals during a synchronous FIFO read using IFCLK as the synchronizing clock. The diagram illustrates a single read followed by a burst read.

- At  $t = 0$  the FIFO address is stable and the signal SLCS is asserted (SLCS may be tied low in some applications). Note that  $t_{SFA}$  has a minimum of 25 ns. This means when IFCLK is running at 48 MHz, the FIFO address setup time is more than one IFCLK cycle.
- At  $t = 1$ , SLOE is asserted. SLOE is an output enable only, whose sole function is to drive the data bus. The data that is driven on the bus is the data that the internal FIFO pointer is currently pointing to. In this example it is the first data value in the FIFO. Note: the data is pre-fetched and is driven on the bus when SLOE is asserted.
- At  $t = 2$ , SLRD is asserted. SLRD must meet the setup time of  $t_{SRD}$  (time from asserting the SLRD signal to the rising edge of the IFCLK) and maintain a minimum hold time of  $t_{RDH}$  (time from the IFCLK edge to the deassertion of the SLRD signal).

If the SLCS signal is used, it must be asserted before SLRD is asserted (The SLCS and SLRD signals must both be asserted to start a valid read condition).

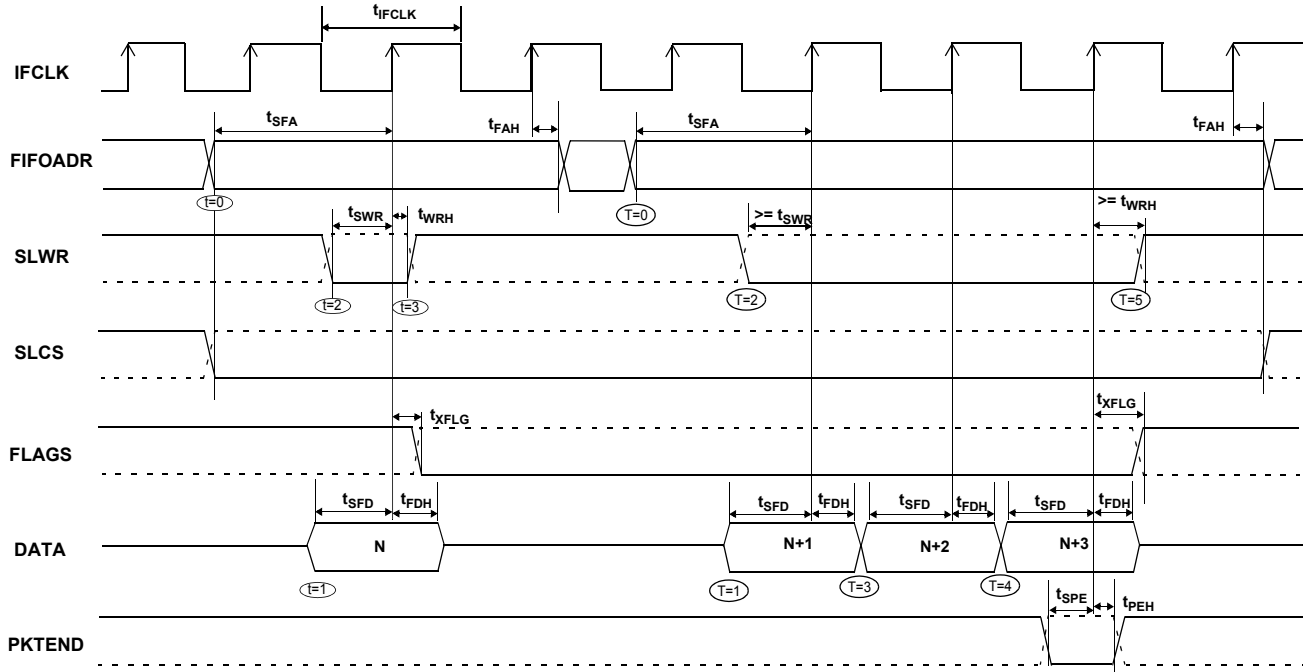
- The FIFO pointer is updated on the rising edge of the IFCLK, while SLRD is asserted. This starts the propagation of data from the newly addressed location to the data bus. After a propagation delay of  $t_{XFD}$  (measured from the rising edge of IFCLK) the new data value is present. N is the first data value read from the FIFO. To have data on the FIFO data bus, SLOE MUST also be asserted.

The same sequence of events are shown for a burst read and are marked with the time indicators of  $T = 0$  through 5.

**Note** For the burst mode, the SLRD and SLOE are left asserted during the entire duration of the read. In the burst read mode, when SLOE is asserted, data indexed by the FIFO pointer is on the data bus. During the first read cycle, on the rising edge of the clock the FIFO pointer is updated and increments to point to address N+1. For each subsequent rising edge of IFCLK, while the SLRD is asserted, the FIFO pointer is incremented and the next data value is placed on the data bus.

10.17.2 Single and Burst Synchronous Write

Figure 31. Slave FIFO Synchronous Write Sequence and Timing Diagram<sup>[20]</sup>



The Figure 31 shows the timing relationship of the SLAVE FIFO signals during a synchronous write using IFCLK as the synchronizing clock. The diagram illustrates a single write followed by burst write of 3 bytes and committing all 4 bytes as a short packet using the PKTEND pin.

- At  $t = 0$  the FIFO address is stable and the signal SLCS is asserted. (SLCS may be tied low in some applications) Note that  $t_{SFA}$  has a minimum of 25 ns. This means when IFCLK is running at 48 MHz, the FIFO address setup time is more than one IFCLK cycle.
- At  $t = 1$ , the external master/peripheral must outputs the data value onto the data bus with a minimum set up time of  $t_{SFD}$  before the rising edge of IFCLK.
- At  $t = 2$ , SLWR is asserted. The SLWR must meet the setup time of  $t_{SWR}$  (time from asserting the SLWR signal to the rising edge of IFCLK) and maintain a minimum hold time of  $t_{WRH}$  (time from the IFCLK edge to the deassertion of the SLWR signal). If the SLCS signal is used, it must be asserted with SLWR or before SLWR is asserted (The SLCS and SLWR signals must both be asserted to start a valid write condition).
- While the SLWR is asserted, data is written to the FIFO and on the rising edge of the IFCLK, the FIFO pointer is incremented. The FIFO flag is also updated after a delay of  $t_{XFLG}$  from the rising edge of the clock.

The same sequence of events are also shown for a burst write and are marked with the time indicators of  $T = 0$  through 5.

**Note** For the burst mode, SLWR and SLCS are left asserted for the entire duration of writing all the required data values. In this burst write mode, after the SLWR is asserted, the data on the

FIFO data bus is written to the FIFO on every rising edge of IFCLK. The FIFO pointer is updated on each rising edge of IFCLK. In Figure 31, after the four bytes are written to the FIFO, SLWR is deasserted. The short 4 byte packet can be committed to the host by asserting the PKTEND signal.

There is no specific timing requirement that should be met for asserting PKTEND signal with regards to asserting the SLWR signal. PKTEND can be asserted with the last data value or thereafter. The only requirement is that the setup time  $t_{SPE}$  and the hold time  $t_{PEH}$  must be met. In the scenario of Figure 31, the number of data values committed includes the last value written to the FIFO. In this example, both the data value and the PKTEND signal are clocked on the same rising edge of IFCLK. PKTEND can also be asserted in subsequent clock cycles. The FIFOADDR lines should be held constant during the PKTEND assertion.

Although there are no specific timing requirement for the PKTEND assertion, there is a specific corner case condition that needs attention while using the PKTEND to commit a one byte/word packet. Additional timing requirements exists when the FIFO is configured to operate in auto mode and it is desired to send two packets: a full packet (full defined as the number of bytes in the FIFO meeting the level set in AUTOINLEN register) committed automatically followed by a short one byte or word packet committed manually using the PKTEND pin.

In this case, the external master must ensure to assert the PKTEND pin at least one clock cycle after the rising edge that caused the last byte or word that needs to be clocked into the previous auto committed packet (the packet with the number of bytes equal to what is set in the AUTOINLEN register). Refer to Figure 23 for further details on this timing.

10.17.3 Sequence Diagram of a Single and Burst Asynchronous Read

Figure 32. Slave FIFO Asynchronous Read Sequence and Timing Diagram<sup>[20]</sup>

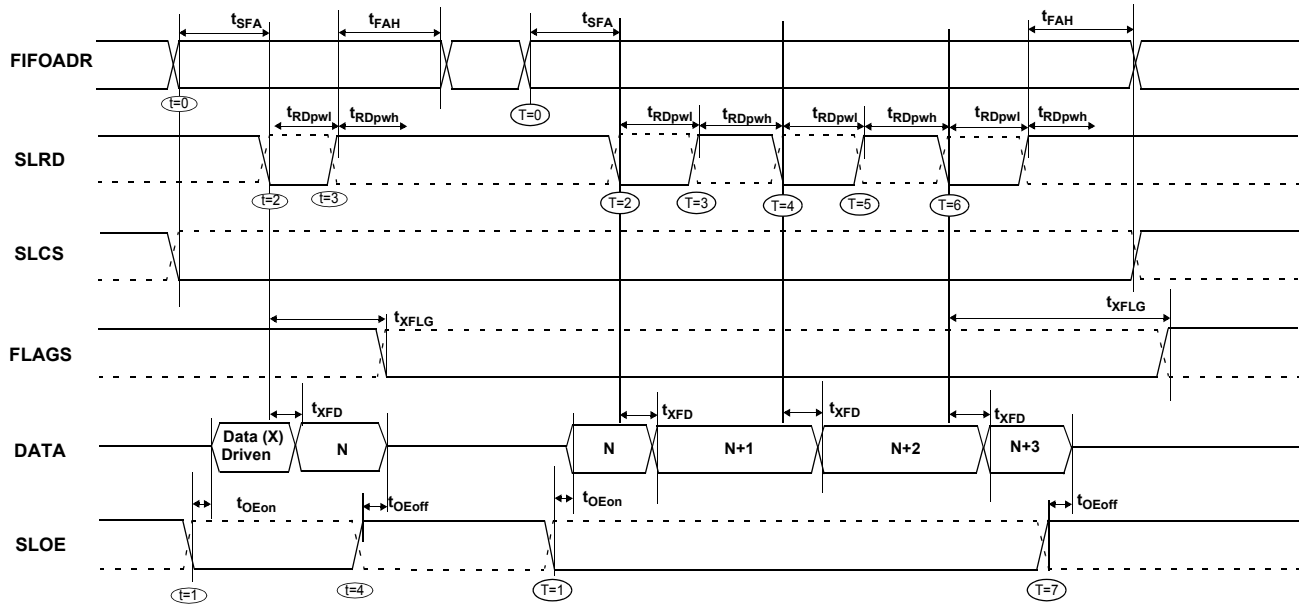


Figure 33. Slave FIFO Asynchronous Read Sequence of Events Diagram

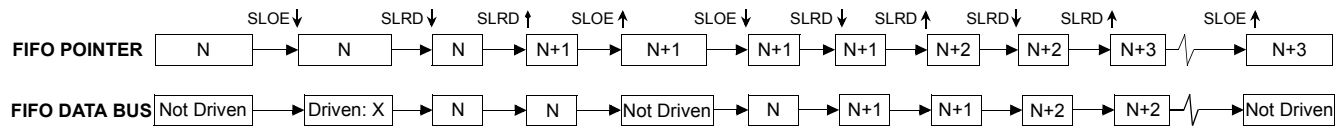


Figure 32 shows the timing relationship of the SLAVE FIFO signals during an asynchronous FIFO read. It shows a single read followed by a burst read.

- At  $t = 0$  the FIFO address is stable and the SLCS signal is asserted.
- At  $t = 1$ , SLOE is asserted. This results in the data bus being driven. The data that is driven on to the bus is previous data, it data that was in the FIFO from a prior read cycle.
- At  $t = 2$ , SLRD is asserted. The SLRD must meet the minimum active pulse of  $t_{RDpwl}$  and minimum de-active pulse width of  $t_{RDpwh}$ . If SLCS is used then, SLCS must be asserted before SLRD is asserted (The SLCS and SLRD signals must both be asserted to start a valid read condition.)

- The data that is driven, after asserting SLRD, is the updated data from the FIFO. This data is valid after a propagation delay of  $t_{XFD}$  from the activating edge of SLRD. In Figure 32, data N is the first valid data read from the FIFO. For data to appear on the data bus during the read cycle (SLRD is asserted), SLOE must be in an asserted state. SLRD and SLOE can also be tied together.

The same sequence of events is also shown for a burst read marked with  $T = 0$  through 5.

**Note** In burst read mode, during SLOE is assertion, the data bus is in a driven state and outputs the previous data. After SLRD is asserted, the data from the FIFO is driven on the data bus (SLOE must also be asserted) and then the FIFO pointer is incremented.

10.17.4 Sequence Diagram of a Single and Burst Asynchronous Write

Figure 34. Slave FIFO Asynchronous Write Sequence and Timing Diagram<sup>[20]</sup>

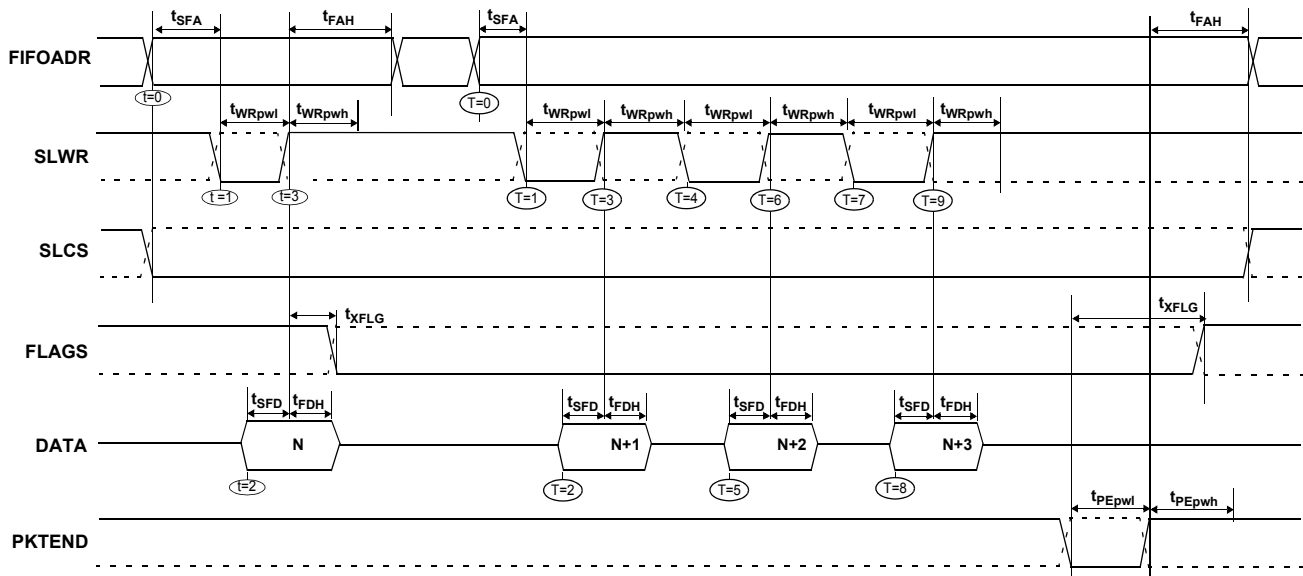


Figure 34 shows the timing relationship of the SLAVE FIFO write in an asynchronous mode. The diagram shows a single write followed by a burst write of 3 bytes and committing the 4 byte short packet using PKTEND.

- At  $t = 0$  the FIFO address is applied, insuring that it meets the setup time of  $t_{SFA}$ . If SLCS is used, it must also be asserted (SLCS may be tied low in some applications).
- At  $t = 1$  SLWR is asserted. SLWR must meet the minimum active pulse of  $t_{WRpwl}$  and minimum de-active pulse width of  $t_{WRpwh}$ . If the SLCS is used, it must be asserted with SLWR or before SLWR is asserted.
- At  $t = 2$ , data must be present on the bus  $t_{SFD}$  before the deasserting edge of SLWR.
- At  $t = 3$ , deasserting SLWR causes the data to be written from the data bus to the FIFO and then increments the FIFO pointer.

The FIFO flag is also updated after  $t_{XFLG}$  from the deasserting edge of SLWR.

The same sequence of events are shown for a burst write and is indicated by the timing marks of  $T = 0$  through 5.

**Note** In the burst write mode, after SLWR is deasserted, the data is written to the FIFO and then the FIFO pointer is incremented to the next byte in the FIFO. The FIFO pointer is post incremented.

In Figure 34 after the four bytes are written to the FIFO and SLWR is deasserted, the short 4 byte packet can be committed to the host using the PKTEND. The external device should be designed to not assert SLWR and the PKTEND signal at the same time. It should be designed to assert the PKTEND after SLWR is deasserted and met the minimum deasserted pulse width. The FIFOADDR lines have to held constant during the PKTEND assertion.

## 11. Ordering Information

**Table 33. Ordering Information**

Ordering Code	Package Type	RAM Size	# Prog I/Os	8051 Address /Data Busses
<b>Ideal for battery powered applications</b>				
CY7C68014A-128AXC	128 TQFP – Pb-Free	16K	40	16/8 bit
CY7C68014A-100AXC	100 TQFP – Pb-Free	16K	40	–
CY7C68014A-56PVXC	56 SSOP – Pb-Free	16K	24	–
CY7C68014A-56LFXC	56 QFN – Pb-Free	16K	24	–
CY7C68014A-56BAXC	56 VFBGA – Pb-Free	16K	24	–
CY7C68016A-56LFXC	56 QFN – Pb-Free	16K	26	–
<b>Ideal for non-battery powered applications</b>				
CY7C68013A-128AXC	128 TQFP – Pb-Free	16K	40	16/8 bit
CY7C68013A-128AXI	128 TQFP – Pb-Free (Industrial)	16K	40	16/8 bit
CY7C68013A-100AXC	100 TQFP – Pb-Free	16K	40	–
CY7C68013A-100AXI	100 TQFP – Pb-Free (Industrial)	16K	40	–
CY7C68013A-56PVXC	56 SSOP – Pb-Free	16K	24	–
CY7C68013A-56PVXI	56 SSOP – Pb-Free (Industrial)	16K	24	–
CY7C68013A-56LFXC	56 QFN – Pb-Free	16K	24	–
CY7C68013A-56LFXI	56 QFN – Pb-Free (Industrial)	16K	24	–
CY7C68015A-56LFXC	56 QFN – Pb-Free	16K	26	–
CY7C68013A-56BAXC	56 VFBGA – Pb-Free	16K	24	–
CY7C68013A-56LTXC	56 QFN	16K	24	–
CY7C68013A-56LTXCT	56 QFN	16K	24	–
CY7C68013A-56LTXI	56 QFN	16K	24	–
CY7C68014A-56LTXC	56 QFN	16K	24	–
CY7C68015A-56LTXC	56 QFN	16K	24	–
CY7C68016A-56LTXC	56 QFN	16K	24	–
CY7C68016A-56LTXCT	56 QFN	16K	24	–
<b>Development Tool Kit</b>				
CY3684	EZ-USB FX2LP Development Kit			
<b>Reference Design Kit</b>				
CY4611B	USB 2.0 to ATA/ATAPI Reference Design using EZ-USB FX2LP			

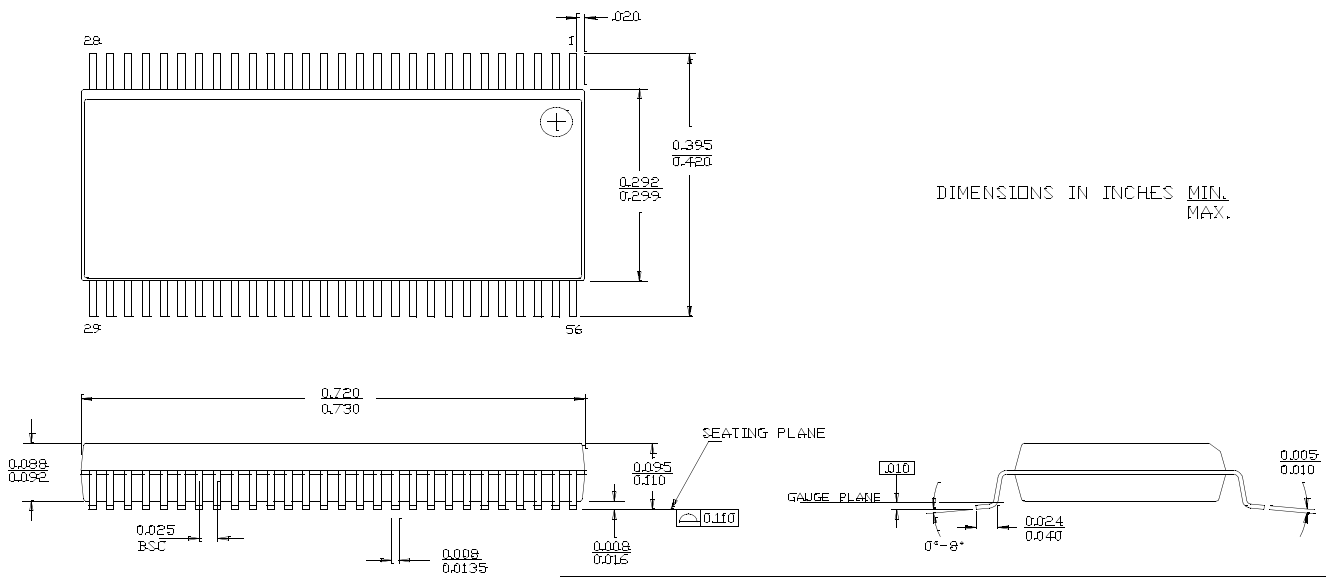
## 12. Package Diagrams

The FX2LP is available in five packages:

- 56-pin SSOP
- 56-pin QFN
- 100-pin TQFP
- 128-pin TQFP
- 56-ball VFBGA

### Package Diagrams

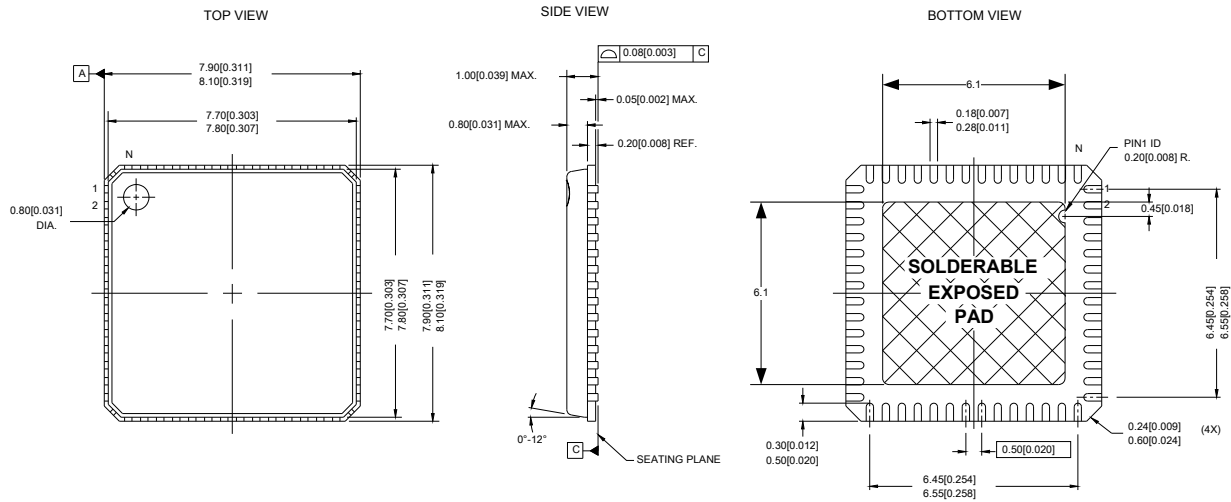
**Figure 35. 56-Pin Shrunk Small Outline Package O56 (51-85062)**




51-85062-°C

Package Diagrams (continued)

Figure 36. 56-Pin QFN 8 x 8 mm LF56A (51-85144)



NOTES:

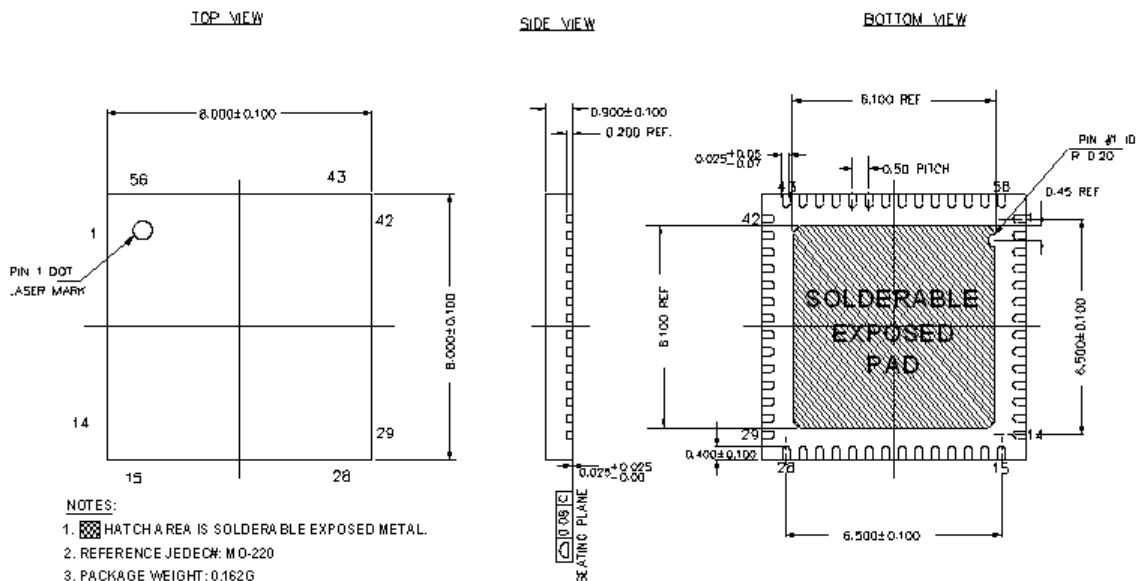
1.  HATCH AREA IS SOLDERABLE EXPOSED METAL.
2. REFERENCE JEDEC#: MO-220
3. PACKAGE WEIGHT: 0.162g
4. ALL DIMENSIONS ARE IN MM [MIN/MAX]
5. PACKAGE CODE

PART #	DESCRIPTION
LF56	STANDARD
LY56	PB-FREE


(SUBCON PUNCH TYPE PKG with 6.1 x 6.1 EPAD)

51-85144-°G

Figure 37. 56-Pin QFN 8 x 8 mm (Sawn Version)



NOTES:

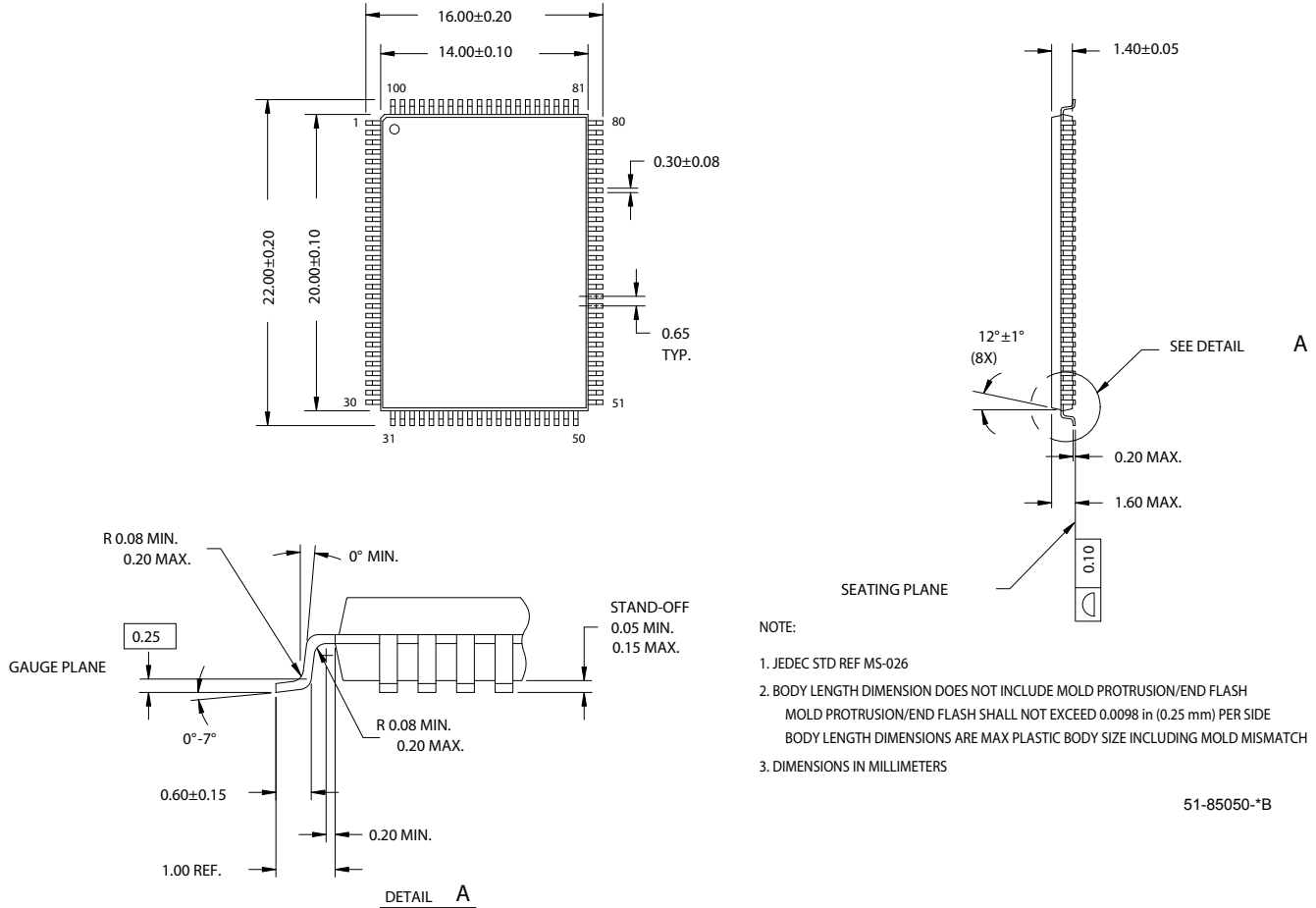
1.  HATCH AREA IS SOLDERABLE EXPOSED METAL.
2. REFERENCE JEDEC#: MO-220
3. PACKAGE WEIGHT: 0.162G
4. ALL DIMENSIONS ARE IN MILLIMETERS

51-85187 °C



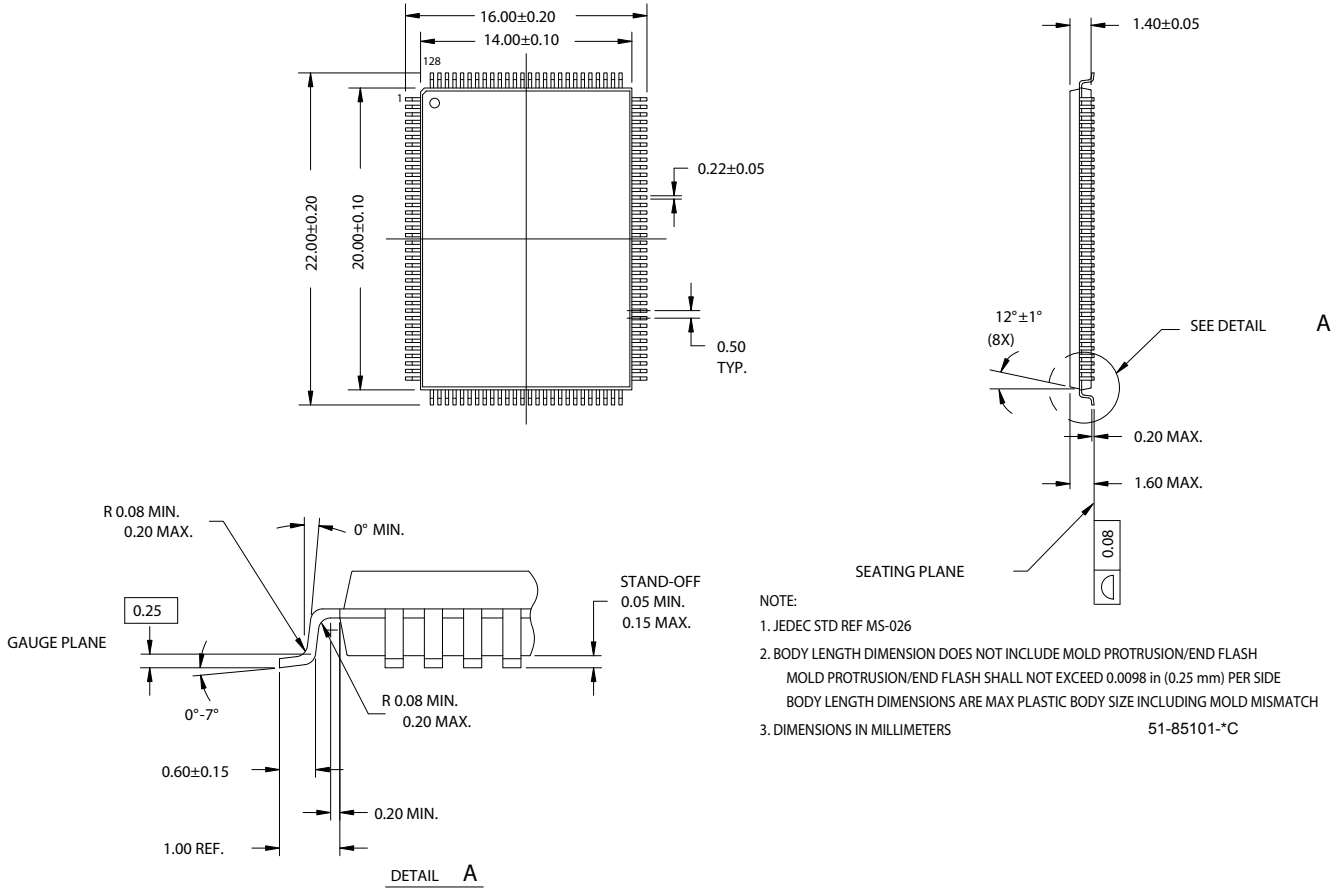
**Package Diagrams** (continued)

**Figure 38. 100-Pin Thin Plastic Quad Flatpack (14 x 20 x 1.4 mm) A100RA (51-85050)**



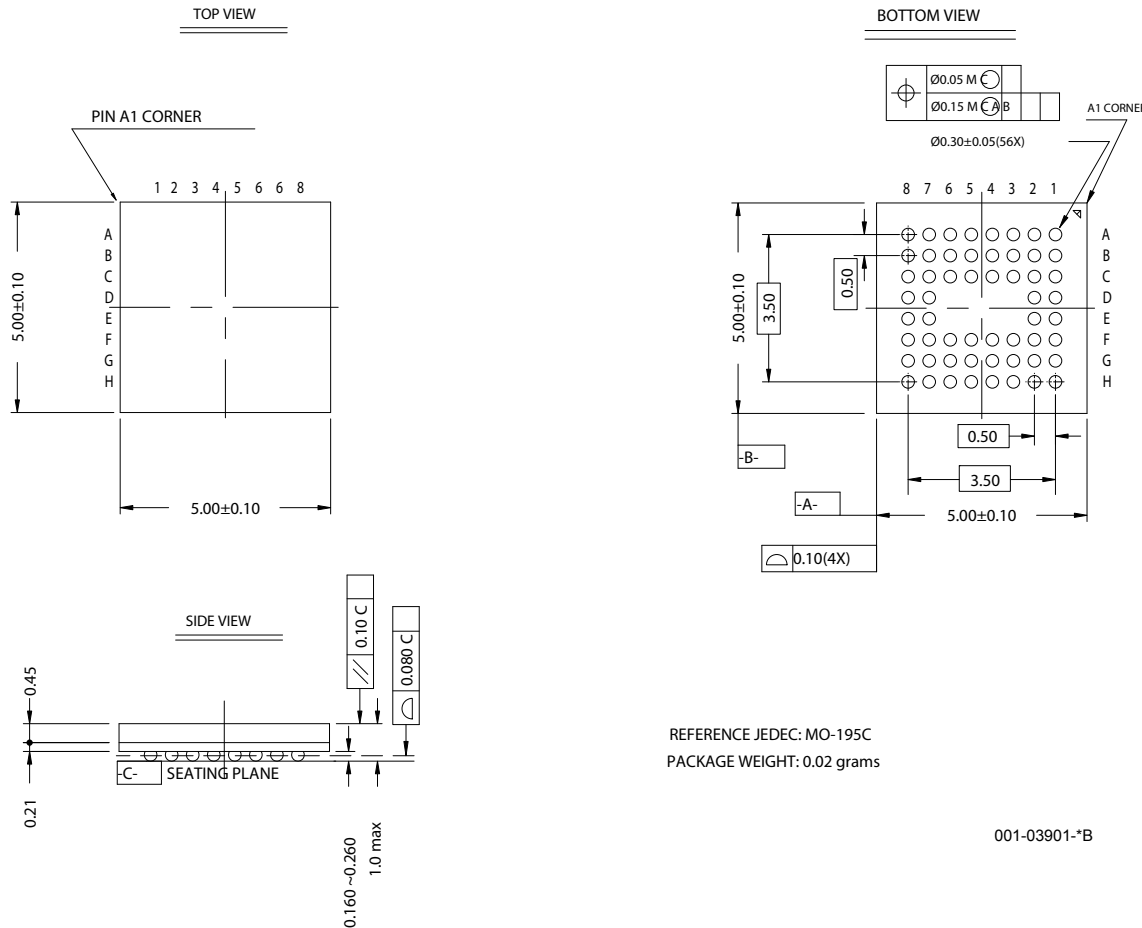
**Package Diagrams (continued)**

**Figure 39. 128-Pin Thin Plastic Quad Flatpack (14 x 20 x 1.4 mm) A128 (51-85101)**



**Package Diagrams** (continued)

**Figure 40. 56 VFBGA (5 x 5 x 1.0 mm) 0.50 Pitch, 0.30 Ball BZ56 (001-03901)**



**13. PCB Layout Recommendations**

Follow these recommendations to ensure reliable high performance operation:<sup>[24]</sup>

- Four layer impedance controlled boards are required to maintain signal quality.
- Specify impedance targets (ask your board vendor what they can achieve).
- To control impedance, maintain trace widths and trace spacing.
- Minimize stubs to minimize reflected signals.
- Connections between the USB connector shell and signal ground must be near the USB connector.
- Bypass and flyback caps on VBus, near connector, are recommended.
- DPLUS and DMINUS trace lengths should be kept to within 2 mm of each other in length, with preferred length of 20 to 30 mm.
- Maintain a solid ground plane under the DPLUS and DMINUS traces. Do not allow the plane to split under these traces.
- Do not place vias on the DPLUS or DMINUS trace routing.
- Isolate the DPLUS and DMINUS traces from all other signal traces by no less than 10 mm.

**Note**

24. Source for recommendations: *EZ-USB FX2™ PCB Design Recommendations*, [http://www.cypress.com/cfuploads/support/app\\_notes/FX2\\_PCB.pdf](http://www.cypress.com/cfuploads/support/app_notes/FX2_PCB.pdf) and *High Speed USB Platform Design Guidelines*, [http://www.usb.org/developers/docs/hs\\_usb\\_pdg\\_r1\\_0.pdf](http://www.usb.org/developers/docs/hs_usb_pdg_r1_0.pdf).

## 14. Quad Flat Package No Leads (QFN) Package Design Notes

Electrical contact of the part to the Printed Circuit Board (PCB) is made by soldering the leads on the bottom surface of the package to the PCB. Hence, special attention is required to the heat transfer area below the package to provide a good thermal bond to the circuit board. Design a Copper (Cu) fill in the PCB as a thermal pad under the package. Heat is transferred from the FX2LP through the device's metal paddle on the bottom side of the package. Heat from here is conducted to the PCB at the thermal pad. It is then conducted to the PCB inner ground plane by a 5 x 5 array of via. A via is a plated through hole in the PCB with a finished diameter of 13 mil. The QFN's metal die paddle must be soldered to the PCB's thermal pad. Solder mask is placed on the board top side over each via to resist solder flow into the via. The mask on the top side also minimizes outgassing during the solder reflow process.

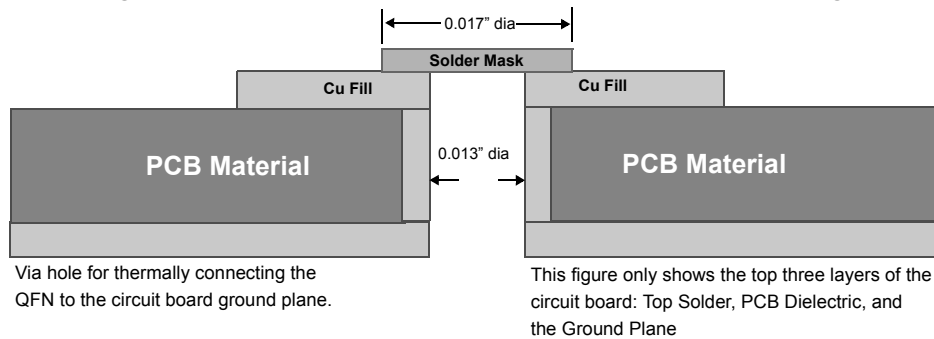
For further information on this package design refer to Application Notes for Surface Mount Assembly of Amkor's MicroLead-Frame (MLF) Packages. You can find this on Amkor's website <http://www.amkor.com>.

The application note provides detailed information about board mounting guidelines, soldering flow, rework process, etc.

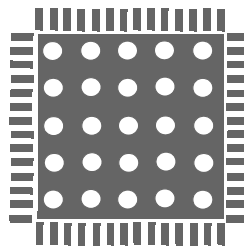
Figure 41 shows a cross-sectional area underneath the package. The cross section is of only one via. The solder paste template should be designed to allow at least 50% solder coverage. The thickness of the solder paste template should be 5 mil. Use the No Clean type 3 solder paste for mounting the part. Nitrogen purge is recommended during reflow.

Figure 42 is a plot of the solder mask pattern and Figure 43 displays an X-Ray image of the assembly (darker areas indicate solder).

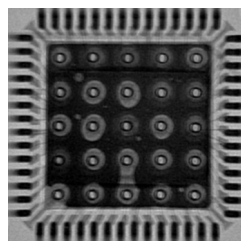
**Figure 41. Cross-section of the Area Underneath the QFN Package**



**Figure 42. Plot of the Solder Mask (White Area)**



**Figure 43. X-ray Image of the Assembly**



**Document History Page**

Document Title: CY7C68013A, CY7C68014A, CY7C68015A, CY7C68016A, EZ-USB FX2LP™ USB Microcontroller High Speed USB Peripheral Controller Document Number: 38-08032				
REV.	ECN NO.	Submission Date	Orig. of Change	Description of Change
**	124316	03/17/03	VCS	New data sheet
*A	128461	09/02/03	VCS	Added PN CY7C68015A throughout data sheet Modified <a href="#">Figure 1</a> to add ECC block and fix errors Removed word “compatible” where associated with I <sup>2</sup> C Corrected grammar and formatting in various locations Updated Sections 3.2.1, 3.9, 3.11, <a href="#">Table 9</a> , Section 5.0 Added Sections 3.15, 3.18.4, 3.20 Modified <a href="#">Figure 5</a> for clarity Updated <a href="#">Figure 36</a> to match current spec revision
*B	130335	10/09/03	KKV	Restored PRELIMINARY to header (had been removed in error from rev. *A)
*C	131673	02/12/04	KKU	Section 8.1 changed “certified” to “compliant” <a href="#">Table 14</a> added parameter V <sub>IH_X</sub> and V <sub>IL_X</sub> Added Sequence diagrams Section 9.16 Updated Ordering information with lead-free parts Updated Registry Summary Section 3.12.4:example changed to column 8 from column 9 Updated <a href="#">Figure 14</a> memory write timing Diagram Updated section 3.9 (reset) Updated section 3.15 ECC Generation
*D	230713	See ECN	KKU	Changed Lead free Marketing part numbers in <a href="#">Table 33</a> as per spec change in 28-00054.
*E	242398	See ECN	TMD	Minor Change: data sheet posted to the web,
*F	271169	See ECN	MON	Added USB-IF Test ID number Added USB 2.0 logo Added values for Isusp, Icc, Power Dissipation, Vih_x, Vil_x Changed VCC from ± 10% to ± 5% Changed E-Pad size to 4.3 mm x 5.0 mm Changed PKTEND to FLAGS output propagation delay (asynchronous interface) in <a href="#">Table 28</a> from a max value of 70 ns to 115 ns
*G	316313	See ECN	MON	Removed CY7C68013A-56PVXCT part availability Added parts ideal for battery powered applications: CY7C68014A, CY7C68016A Provided additional timing restrictions and requirement about the use of PKETEND pin to commit a short one byte/word packet subsequent to committing a packet automatically (when in auto mode). Added Min Vcc Ramp Up time (0 to 3.3v)
*H	338901	See ECN	MON	Added information about the AUTOPTTR1/AUTOPTTR2 address timing with regards to data memory read/write timing diagram. Removed TBD for Min value of Clock to FIFO Data Output Propagation Delay (t <sub>XFD</sub> ) for Slave FIFO Synchronous Read Changed <a href="#">Table 33</a> to include part CY7C68016A-56LFXC in the part listed for battery powered applications Added register GPCR2 in register summary
*I	371097	See ECN	MON	Added timing for strobing RD#/WR# signals when using PortC strobe feature (Section 10.5)
*J	397239	See ECN	MON	Removed XTALINSRC register from register summary. Changed Vcc margins to ±10% Added 56-pin VFBGA Pin Package Diagram Added 56-pin VFBGA definition in pin listing Added RDK part number to the Ordering Information table

Document Title: CY7C68013A, CY7C68014A, CY7C68015A, CY7C68016A, EZ-USB FX2LP™ USB Microcontroller High Speed USB Peripheral Controller Document Number: 38-08032				
REV.	ECN NO.	Submission Date	Orig. of Change	Description of Change
*K	420505	See ECN	MON	Remove SLCS from figure in Section 10.10. Removed indications that SLRD can be asserted simultaneously with SLCS in Section 10.17.2 and Section 10.17.3 Added Absolute Maximum Temperature Rating for industrial packages in Section 6. Changed number of packages stated in the description in Section 4. to five. Added <a href="#">Table 13</a> on Thermal Coefficients for various packages
*L	2064406	See ECN	CMCC/ PYRS	Changed TID number Removed T0OUT and T1OUT from CY7C68015A/16A Updated $t_{SWR}$ Min value in <a href="#">Figure 20</a> Updated 56-lead QFN package diagram
*M	2710327	05/22/2009	DPT	Added 56-Pin QFN (8 X 8 mm) package diagram Updated ordering information for CY7C68013A-56LTXC, CY7C68013A-56LTXI, CY7C68014A-56LTXC, CY7C68015A-56LTXC, and CY7C68016A-56LTXC parts.

## Sales, Solutions, and Legal Information

### Worldwide Sales and Design Support

Cypress maintains a worldwide network of offices, solution centers, manufacturer's representatives, and distributors. To find the office closest to you, visit us at [cypress.com/sales](http://cypress.com/sales).

#### Products

PSoC	<a href="http://psoc.cypress.com">psoc.cypress.com</a>
Clocks & Buffers	<a href="http://clocks.cypress.com">clocks.cypress.com</a>
Wireless	<a href="http://wireless.cypress.com">wireless.cypress.com</a>
Memories	<a href="http://memory.cypress.com">memory.cypress.com</a>
Image Sensors	<a href="http://image.cypress.com">image.cypress.com</a>

#### PSoC Solutions

General	<a href="http://psoc.cypress.com/solutions">psoc.cypress.com/solutions</a>
Low Power/Low Voltage	<a href="http://psoc.cypress.com/low-power">psoc.cypress.com/low-power</a>
Precision Analog	<a href="http://psoc.cypress.com/precision-analog">psoc.cypress.com/precision-analog</a>
LCD Drive	<a href="http://psoc.cypress.com/lcd-drive">psoc.cypress.com/lcd-drive</a>
CAN 2.0b	<a href="http://psoc.cypress.com/can">psoc.cypress.com/can</a>
USB	<a href="http://psoc.cypress.com/usb">psoc.cypress.com/usb</a>

© Cypress Semiconductor Corporation, 2003-2009. The information contained herein is subject to change without notice. Cypress Semiconductor Corporation assumes no responsibility for the use of any circuitry other than circuitry embodied in a Cypress product. Nor does it convey or imply any license under patent or other rights. Cypress products are not warranted nor intended to be used for medical, life support, life saving, critical control or safety applications, unless pursuant to an express written agreement with Cypress. Furthermore, Cypress does not authorize its products for use as critical components in life-support systems where a malfunction or failure may reasonably be expected to result in significant injury to the user. The inclusion of Cypress products in life-support systems application implies that the manufacturer assumes all risk of such use and in doing so indemnifies Cypress against all charges.

Any Source Code (software and/or firmware) is owned by Cypress Semiconductor Corporation (Cypress) and is protected by and subject to worldwide patent protection (United States and foreign), United States copyright laws and international treaty provisions. Cypress hereby grants to licensee a personal, non-exclusive, non-transferable license to copy, use, modify, create derivative works of, and compile the Cypress Source Code and derivative works for the sole purpose of creating custom software and/or firmware in support of licensee product to be used only in conjunction with a Cypress integrated circuit as specified in the applicable agreement. Any reproduction, modification, translation, compilation, or representation of this Source Code except as specified above is prohibited without the express written permission of Cypress.

Disclaimer: CYPRESS MAKES NO WARRANTY OF ANY KIND, EXPRESS OR IMPLIED, WITH REGARD TO THIS MATERIAL, INCLUDING, BUT NOT LIMITED TO, THE IMPLIED WARRANTIES OF MERCHANTABILITY AND FITNESS FOR A PARTICULAR PURPOSE. Cypress reserves the right to make changes without further notice to the materials described herein. Cypress does not assume any liability arising out of the application or use of any product or circuit described herein. Cypress does not authorize its products for use as critical components in life-support systems where a malfunction or failure may reasonably be expected to result in significant injury to the user. The inclusion of Cypress' product in a life-support systems application implies that the manufacturer assumes all risk of such use and in doing so indemnifies Cypress against all charges.

Use may be limited by and subject to the applicable Cypress software license agreement.