

Low Voltage 1:10 Differential HSTL Clock Fanout Buffer

The MC100ES8111 is a bipolar monolithic differential clock fanout buffer. Designed for most demanding clock distribution systems, the MC100ES8111 supports various applications that require the distribution of precisely aligned differential clock signals. Using SiGe technology and a fully differential architecture, the device offers very low skew outputs and superior digital signal characteristics. Target applications for this clock driver are high performance clock distribution in computing, networking and telecommunication systems.

Features

- 1:10 differential clock fanout buffer
- 80 ps maximum device skew
- SiGe technology
- Supports DC to 625 MHz operation of clock or data signals
- HSTL compatible differential clock outputs
- PECL and HSTL compatible differential clock inputs
- 3.3 V power supply for device core, 1.5 V or 1.8 V HSTL output supply
- Supports industrial temperature range
- Standard 32 lead LQFP package

Functional Description

The MC100ES8111 is designed for low skew clock distribution systems and supports clock frequencies up to 625 MHz. The device accepts two clock sources. The CLK0 input accepts HSTL compatible signals and CLK1 accepts PECL compatible signals. The selected input signal is distributed to 10 identical, differential HSTL compatible outputs.

In order to meet the tight skew specification of the device, both outputs of a differential output pair should be terminated, even if only one output is used. In the case where not all 10 outputs are used, the output pairs on the same package side as the parts being used on that side should be terminated.

The HSTL compatible output levels are generated with an open emitter architecture. This minimizes part-to-part and output-to-output skew. The open-emitter outputs require a 50 Ω DC termination to GND (0 V). The output supply voltage can be either 1.5 V or 1.8 V, the core voltage supply is 3.3 V. The output enable control is synchronized internally preventing output runt pulse generation. Outputs are only disabled or enabled when the outputs are already in logic low state (true outputs logic low, inverted outputs logic high). The internal synchronizer eliminates the setup and hold time requirements for the external clock enable signal. The device is packaged in a 7x7 mm² 32-lead LQFP package.

MC100ES8111

**LOW-VOLTAGE 1:10
DIFFERENTIAL
HSTL CLOCK
FANOUT BUFFER**



**FA SUFFIX
32-LEAD LQFP PACKAGE
CASE 873A-03**

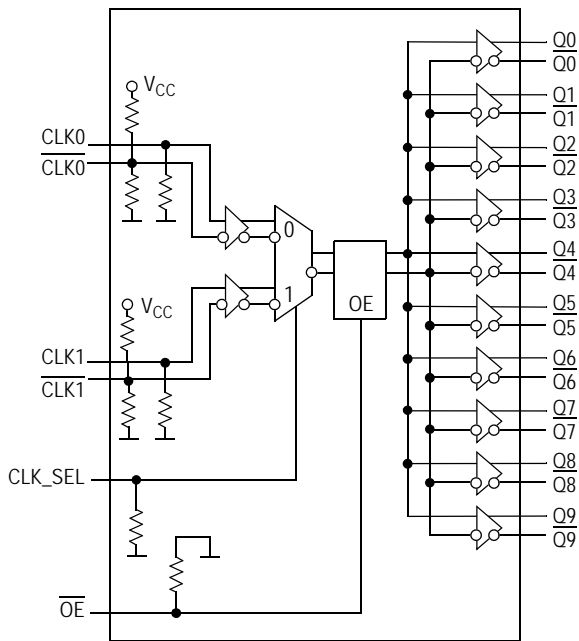


Figure 1. MC100ES8111 Logic Diagram

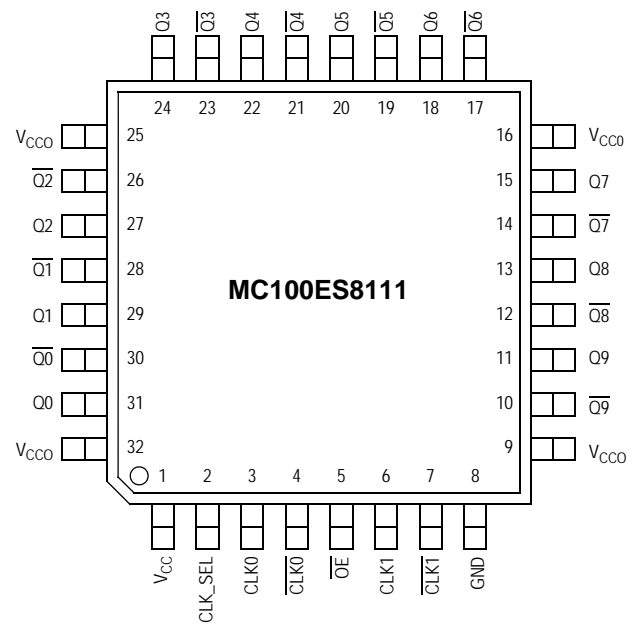


Figure 2. 23-Lead Package Pinout (Top View)

Table 1. Pin Configuration⁽¹⁾

Pin	I/O	Type	Function
CLK0, $\overline{\text{CLK0}}$	Input	HSTL	Differential HSTL reference clock signal input
CLK1, $\overline{\text{CLK1}}$	Input	PECL	Differential PECL reference clock signal input
CLK_SEL	Input	LVC MOS	Reference clock input select
OE	Input	LVC MOS	Output enable/disable. OE is synchronous to the input reference clock which eliminates possible output runt pulses when the OE state is changed.
Q[0-9], $\overline{\text{Q[0-9]}}$	Output	HSTL	Differential clock outputs
GND	Supply		Negative power supply
V _{CC}	Supply		Positive power supply of the device core (3.3 V)
V _{CC0}	Supply		Positive power supply of the HSTL outputs. All V _{CC0} pins must be connected to the positive power supply (1.5 V or 1.8 V) for correct DC and AC operation.

1. Input pull-up/pull-down resistors have a value of 75 k Ω .

Table 2. Function Table

Control	Default	0	1
CLK_SEL	0	CLK0, $\overline{\text{CLK0}}$ (HSTL) is the active differential clock input	CLK1, $\overline{\text{CLK1}}$ (PECL) is the active differential clock input
$\overline{\text{OE}}$	0	Q[0-9], $\overline{\text{Q[0-9]}}$ are active. Deassertion of $\overline{\text{OE}}$ can be asynchronous to the reference clock without generation of output runt pulses.	Q[0-9] = L, $\overline{\text{Q[0-9]}}$ = H (outputs disabled). Assertion of $\overline{\text{OE}}$ can be asynchronous to the reference clock without generation of output runt pulses.

Table 3. Absolute Maximum Ratings⁽¹⁾

Symbol	Characteristics	Min	Max	Unit	Condition
V _{CC}	Supply Voltage	-0.3	3.6	V	
V _{CCO}	Supply Voltage	-0.3	3.1	V	
V _{IN}	DC Input Voltage	-0.3	V _{CC} + 0.3	V	
V _{OUT}	DC Output Voltage	-0.3	V _{CC} + 0.3	V	
I _{IN}	DC Input Current		±20	mA	
I _{OUT}	DC Output Current		±50	mA	
T _S	Storage Temperature	-65	125	°C	
T _{Func}	Functional Temperature Range	T _A = -40	T _J = +110	°C	

1. Absolute maximum continuous ratings are those maximum values beyond which damage to the device may occur. Exposure to these conditions or conditions beyond those indicated may adversely affect device reliability. Functional operation at absolute-maximum-rated conditions is not implied.

Table 4. General Specifications

Symbol	Characteristics	Min	Typ	Max	Unit	Condition
V _{TT}	Output termination voltage		0		V	
MM	ESD Protection (Machine model)	200			V	
HBM	ESD Protection (Human body model)	2000			V	
CDM	ESD Protection (Charged device model)	2000			V	
LU	Latch-up Immunity	200			mA	
C _{IN}	Input Capacitance		4.0		pF	Inputs
θ _{JA}	Thermal resistance junction to ambient JESD 51-3, single layer test board		83.1	86.0	°C/W	Natural convection
			73.3	75.4	°C/W	100 ft/min
			68.9	70.9	°C/W	200 ft/min
			63.8	65.3	°C/W	400 ft/min
			57.4	59.6	°C/W	800 ft/min
	JESD 51-6, 2S2P multilayer test board		59.0	60.6	°C/W	Natural convection
			54.4	55.7	°C/W	100 ft/min
			52.5	53.8	°C/W	200 ft/min
			50.4	51.5	°C/W	400 ft/min
			47.8	48.8	°C/W	800 ft/min
θ _{JC}	Thermal Resistance Junction to Case		23.0	26.3	°C/W	MIL-SPEC 883E Method 1012.1
T _J	Operating Junction Temperature ⁽¹⁾ (continuous operation)MTBF = 9.1 years			110	°C	

1. Operating junction temperature impacts device life time. Maximum continuous operating junction temperature should be selected according to the application life time requirements (See application note AN1545 and the application section in this datasheet for more information). The device AC and DC parameters are specified up to 110°C junction temperature allowing the MC100ES8111 to be used in applications requiring industrial temperature range. It is recommended that users of the MC100ES8111 employ thermal modeling analysis to assist in applying the junction temperature specifications to their particular application.

Table 5. DC Characteristics ($V_{CC} = 3.3\text{ V} \pm 5\%$, $V_{CCO} = 1.5\text{ V} \pm 0.1\text{ V}$ or $V_{CCO} = 1.8\text{ V} \pm 0.1\text{ V}$), $T_J = 0^\circ\text{C}$ to $+110^\circ\text{C}$

Symbol	Characteristics	Min	Typ	Max	Unit	Condition
Clock Input Pair CLK0, $\overline{\text{CLK0}}$ (HSTL differential signals)						
V_{DIF}	Differential Input Voltage ⁽¹⁾	0.2			V	
$V_{X,IN}$	Differential Cross Point Voltage ⁽²⁾	0.25	0.68 - 0.9	$V_{CC}-1.3$	V	
V_{IH}	Input High Voltage	$V_X+0.1$			V	
V_{IL}	Input Low Voltage			$V_X-0.1$	V	
I_{IN}	Input Current			± 150	μA	$V_{IN} = V_X \pm 0.1\text{ V}$
Clock Input Pair CLK1, $\overline{\text{CLK1}}$ (PECL differential signals)						
V_{PP}	Differential Input Voltage ⁽³⁾	0.15		1.0	V	Differential operation
V_{CMR}	Differential Cross Point Voltage ⁽⁴⁾	1.0		$V_{CC}-0.6$	V	Differential operation
V_{IH}	Input Voltage High	$V_{CC}-1.165$		$V_{CC}-0.880$	V	
V_{IL}	Input Voltage Low	$V_{CC}-1.810$		$V_{CC}-1.475$	V	
I_{IN}	Input Current			± 150	μA	$V_{IN} = V_{IH}$ or V_{IL}
LVCMOS Control Inputs $\overline{\text{OE}}$, $\overline{\text{CLK_SEL}}$						
V_{IL}	Input Voltage Low			0.8	V	
V_{IH}	Input Voltage High	2.0			V	
I_{IN}	Input Current			± 150	μA	$V_{IN} = V_{IH}$ or V_{IL}
HSTL Clock Outputs (Q[0-9], $\overline{\text{Q}}[0-9]$)						
$V_{X,OUT}$	Output Differential Crosspoint	0.68	0.75	0.9	V	
V_{OH}	Output High Voltage	1.0			V	
V_{OL}	Output Low Voltage			0.4	V	
Supply Current						
I_{CC}	Maximum Supply Current without output termination current		80	105	mA	V_{CC} pin (core)
$I_{CCO}^{(5)}$	Maximum Supply Current, outputs terminated $50\ \Omega$ to V_{TT}		350	410	mA	V_{CCO} pins (outputs)

- V_{DIF} (DC) is the minimum differential HSTL input voltage swing required for device functionality.
- V_X (DC) is the crosspoint of the differential HSTL input signal. Functional operation is obtained when the crosspoint is within the V_X (DC) range and the input swing lies within the V_{PP} (DC) specification.
- V_{PP} (DC) is the minimum differential input voltage swing required to maintain device functionality.
- V_{CMR} (DC) is the crosspoint of the differential input signal. Functional operation is obtained when the crosspoint is within the V_{CMR} (DC) range and the input swing lies within the V_{PP} (DC) specification.
- I_{CC} includes current through the output resistors (all outputs terminated to V_{TT}). See also "Power Consumption and Junction Temperature" on page 6.

Table 6. AC Characteristics ($V_{CC} = 3.3\text{ V} \pm 5\%$, $V_{CCO} = 1.5\text{ V} \pm 0.1\text{ V}$ or $V_{CCO} = 1.8\text{ V} \pm 0.1\text{ V}$), $T_J = 0^\circ\text{C}$ to $+110^\circ\text{C}$ ⁽¹⁾

Symbol	Characteristics	Min	Typ	Max	Unit	Condition	
REF_SEL = 0, Active Clock Input Pair CLK0, $\overline{\text{CLK0}}$ (HSTL differential signals)							
V_{DIF}	Differential Input Voltage ⁽²⁾ (Peak-to-Peak)	0.4			V		
$V_{\text{X, IN}}$	Differential Cross Point Voltage ⁽³⁾	0.68		0.9	V		
f_{CLK}	Input Frequency	0		625	MHz		
t_{PD}	Propagation Delay CLK0 to Qn	$V_{\text{CCO}} = 1.8\text{ V}$	700	990	1270	ps	Differential
		$V_{\text{CCO}} = 1.5\text{ V}$	700	1030	1420	ps	
$t_{\text{SK(PP)}}$	Output-to-Output Skew (Part-to-Part)	$V_{\text{CCO}} = 1.8\text{ V}$			570	ps	Differential
		$V_{\text{CCO}} = 1.5\text{ V}$			720	ps	
$t_{\text{SK(P)}}$	Output Pulse Skew ⁽⁴⁾	$V_{\text{CCO}} = 1.8\text{ V}$			100	ps	
		$V_{\text{CCO}} = 1.5\text{ V}$			150	ps	
REF_SEL = 1, Active Clock Input Pair CLK1, $\overline{\text{CLK1}}$ (PECL differential signals)							
V_{PP}	Differential Input Voltage ⁽⁵⁾ (Peak-to-Peak)	0.2		1.0	V		
V_{CMR}	Differential Input Crosspoint Voltage ⁽⁶⁾	1.0		$V_{\text{CC}} - 0.6$	V		
f_{CLK}	Input Frequency	0		625	MHz	Differential	
t_{PD}	Propagation Delay CLK1 to Qn	$V_{\text{CCO}} = 1.8\text{ V}$	590	860	1220	ps	Differential
		$V_{\text{CCO}} = 1.5\text{ V}$	590	910	1360	ps	
$t_{\text{SK(PP)}}$	Output-to-Output Skew (Part-to-Part)	$V_{\text{CCO}} = 1.8\text{ V}$			630	ps	Differential
		$V_{\text{CCO}} = 1.5\text{ V}$			770	ps	
$t_{\text{SK(P)}}$	Output Pulse Skew ⁽⁷⁾	$V_{\text{CCO}} = 1.8\text{ V}$			150	ps	
		$V_{\text{CCO}} = 1.5\text{ V}$			200	ps	
HSTL Clock Outputs (Qn, $\overline{\text{Qn}}$)							
$V_{\text{X, OUT}}$	Output Differential Crosspoint	0.68	0.91	1.1	V		
V_{OH}	Output High Voltage	$V_{\text{CCO}} = 1.8\text{ V}$	$V_{\text{CCO}} - 0.8\text{ V}$		1.5	V	
		$V_{\text{CCO}} = 1.5\text{ V}$	$V_{\text{CCO}} - 0.5\text{ V}$		1.5	V	
V_{OL}	Output Low Voltage	0.2		0.8	V		
$V_{\text{O(P-P)}}$	Differential Output Voltage (Peak-to-Peak)	$V_{\text{CCO}} = 1.8\text{ V}$	0.45		1.0	V	
		$V_{\text{CCO}} = 1.5\text{ V}$	0.40		1.0	V	
$t_{\text{SK(O)}}$	Output-to-Output Skew	$V_{\text{CCO}} = 1.8\text{ V}$		37	80	ps	Differential
		$V_{\text{CCO}} = 1.5\text{ V}$		60	105	ps	
$t_{\text{JIT(CC)}}$	Output Cycle-to-Cycle Jitter RMS (1 σ)			1.0	ps		
t_r, t_f	Output Rise/Fall Time	150		800	ps	20% to 80%	
$t_{\text{PDL}}^{(8)}$	Output Disable Time	$2.5 \cdot T + t_{\text{PD}}$		$3.5 \cdot T + t_{\text{PD}}$	ns	T=CLKn period	
$t_{\text{PLE}}^{(9)}$	Output Enable Time	$3.0 \cdot T + t_{\text{PD}}$		$4.0 \cdot T + t_{\text{PD}}$	ns	T=CLKn period	

- AC characteristics apply for parallel output termination of $50\ \Omega$ to V_{TT} (GND).
- V_{DIF} (DC) is the minimum differential HSTL input voltage swing required for device functionality.
- V_{X} (DC) is the crosspoint of the differential HSTL input signal. Functional operation is obtained when the crosspoint is within the V_{X} (DC) range and the input swing lies within the V_{DIF} (DC) specification.
- Output duty cycle is $\text{DC} = (0.5 \pm 150\ \text{ps} \cdot f_{\text{OUT}}) \cdot 100\%$. E.g. the DC range at $f_{\text{OUT}} = 100\ \text{MHz}$ is $48.5\% < \text{DC} < 51.5\%$.
- V_{PP} (AC) is the minimum differential PECL input voltage swing required to maintain AC characteristics including tpd and device-to-device skew.
- V_{CMR} (AC) is the crosspoint of the differential HSTL input signal. Normal AC operation is obtained when the crosspoint is within the V_{CMR} (AC) range and the input swing lies within the V_{PP} (AC) specification. Violation of V_{CMR} (AC) or V_{PP} (AC) impacts the device propagation delay, device and part-to-part skew.
- Output pulse skew is the absolute difference of the propagation delay times: $|t_{\text{PLH}} - t_{\text{PHL}}|$. The output duty cycle is $\text{DC} = (0.5 \pm 200\ \text{ps} \cdot f_{\text{OUT}}) \cdot 100\%$. E.g. the DC range at $f_{\text{OUT}} = 100\ \text{MHz}$ and $V_{\text{CCO}} = 1.5\ \text{V}$ is $48.0\% < \text{DC} < 52.0\%$.
- Propagation delay $\overline{\text{OE}}$ deassertion to differential output disabled (differential low: true output low, complementary output high).
- Propagation delay OE assertion to output enabled (active).

APPLICATIONS INFORMATION

Test Reference and Output Termination

The MC100ES8111 is designed for high-frequency and low-skew clock distribution. The high-speed differential outputs are capable of driving 50 Ω transmission lines and always require a DC termination to V_{TT} (GND). In order to maintain the tight skew and timing specifications, it is recommended to terminate the differential outputs by 50 Ω to

GND, with the termination resistor located as close as possible to the end of the clock transmission line. All DC and AC specifications apply to this termination method (see the reference circuit shown in Figure 3 “MC100ES8111 AC Test Reference”). The MC100ES8111 does not support an output termination to $V_{TT} = V_X = 0.75$ V (center voltage termination).

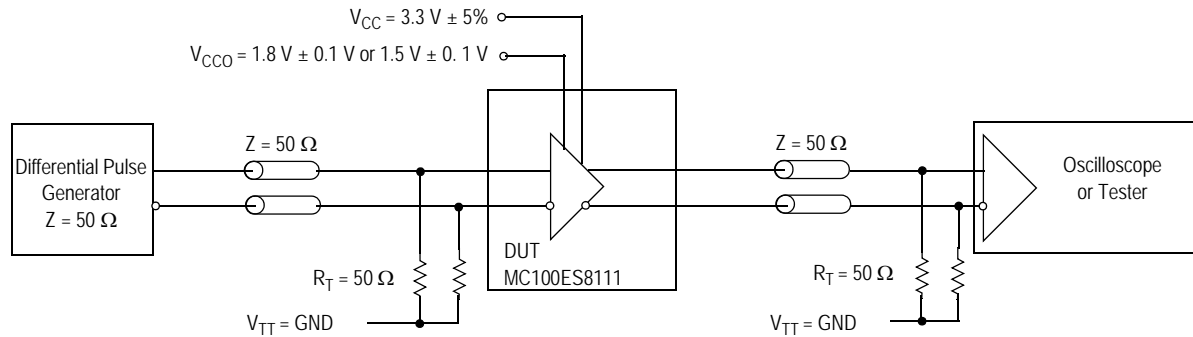


Figure 3. MC100ES8111 AC Test Reference

Power Consumption and the Junction Temperature

The power consumption P_{TOT} of the MC100ES8111 depends on the supply voltages and the DC output termination. The clock frequency has a negligible effect on P_{TOT} . If all outputs are terminated by 50 Ω to GND, the device power consumption is calculated by:

$$P_{TOT} = V_{CC} \cdot I_{CC} + I_{CCO} \cdot (V_{CCO} - V_X)$$

For instance, at a supply voltage of $V_{CC} = 3.3$ V and a termination of 50 Ω to GND, the typical device power consumption is 579 mW at $V_{CCO} = 1.8$ V and 474 mW at $V_{CCO} = 1.5$ V.

Table 7. Power Consumption

MC100ES8111	$P_{TOT, TYP}^{(1)}$	$P_{TOT, MAX}^{(2)}$
$V_{CCO} = 1.5$ V	470 mW	647 mW
$V_{CCO} = 1.8$ V	575 mW	769 mW

1. Typical case: V_{CC} , V_{CCO} at nominal values and using typical I_{CC} , I_{CCO} data.
2. Worst case: V_{CC} , V_{CCO} at max. values and using max. I_{CC} , I_{CCO} limits.

To make the optimum use of high clock frequency and low skew capabilities of the MC100ES8111, the device is specified, characterized and tested for the junction temperature range of $T_J = 0^\circ\text{C}$ to $+110^\circ\text{C}$. Because the exact thermal performance depends on the PCB type, design, thermal management and natural or forced air convection, the junction temperature provides an exact way to correlate the application specific conditions to the published performance data of this datasheet. The correlation of the junction temperature range to the application ambient temperature range and vice versa can be done by calculation:

$$T_J = T_A + R_{thja} \cdot P_{tot}$$

Assuming a thermal resistance (junction to ambient) of 54.4°C/W (2s2p board, 100 ft/min airflow, see Table 8) and a

typical power consumption of 575 mW (all outputs terminated 50 ohms to GND, $V_{CCO} = 1.8$ V), the junction temperature of the MC100ES8111 is approximately $T_A + 31^\circ\text{C}$, and the minimum ambient temperature in this example case calculates to -31°C (the maximum ambient temperature is 79°C . See Table 8). Exceeding the minimum junction temperature specification of the MC100ES8111 does not have a significant impact on the device functionality. However, the continuous use the MC100ES8111 at high ambient temperatures requires thermal management to not exceed the specified maximum junction temperature.

Table 8. Ambient Temperature Ranges ($P_{tot} = 575$ mW)

R_{thja} (2s2p board)		$T_{A, min}^{(1)}$	$T_{A, max}$
Natural convection	59.0°C/W	-34°C	76°C
100 ft/min	54.4°C/W	-31°C	79°C
200 ft/min	52.5°C/W	-30°C	80°C
400 ft/min	50.4°C/W	-29°C	81°C
800 ft/min	47.8°C/W	-27.5°C	82.5°C

1. The MC100ES8111 device function is guaranteed from $T_A = -40^\circ\text{C}$ to $T_J = 110^\circ\text{C}$.

Maintaining Lowest Device Skew

The MC100ES8111 guarantees low output-to-output skew of max. 80 ps and a part-to-part skew of max. 630 ps ($V_{CCO} = 1.8$ V). To ensure low skew clock signals in the application, both outputs of any differential output pair need to be terminated identically, even if only one output is used. When fewer than all ten output pairs are used, identical termination of all output pairs within the output bank (same package side) is recommended. If an entire output bank is not used, it is recommended to leave all of these outputs open and unterminated. This will reduce the device power consumption while maintaining minimum output skew.

MC100ES8111

Power Supply Bypassing

The MC100ES8111 is a mixed analog/digital product. The differential architecture of the MC100ES8111 supports low noise signal operation at high frequencies. In order to maintain its superior signal quality, all V_{CC} pins should be bypassed by high-frequency ceramic capacitors connected to GND. If the spectral frequencies of the internally generated switching noise on the supply pins cross the series resonant point of an individual bypass capacitor, its overall impedance begins to look inductive and thus increases with increasing frequency. The parallel capacitor combination shown ensures that a low impedance path to ground exists for frequencies well above the noise bandwidth.

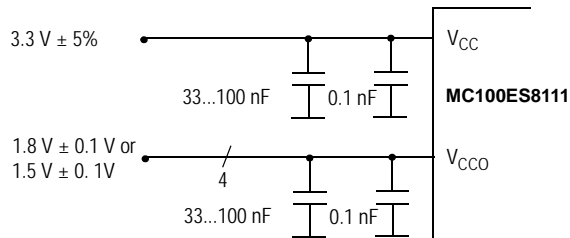


Figure 4. V_{CC} , V_{CCO} Power Supply Bypass

Output Enable/Disable Control

The MC100ES8111 enables and disables outputs synchronously to the input clock signal. The user may enable and disable the outputs by using the \overline{OE} control regardless of any hold and setup time constraints. Output runt pulses are prevented in any case. Outputs are disabled in logic low state ($Q_n=Low$, $\overline{Q_n}=High$) without a change of the output impedance.

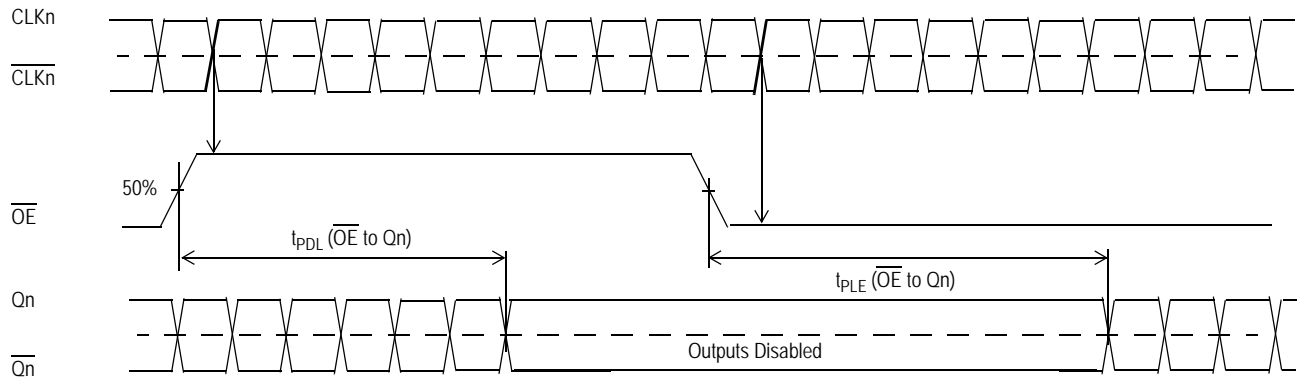


Figure 5. MC100ES8111 Output Disable/Enable Timing

AC MEASUREMENT REFERENCES

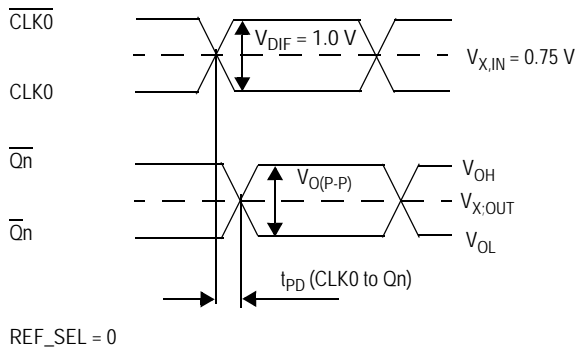


Figure 6. MC100ES8111 AC Reference Measurement Waveform (HSTL Input)

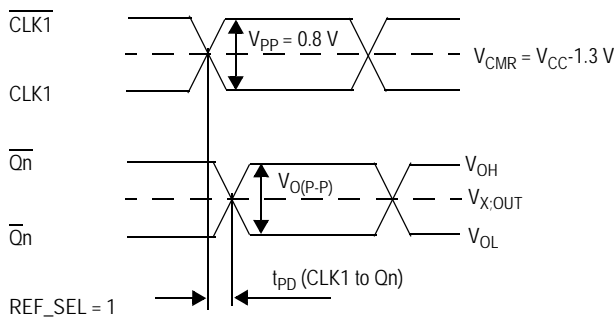


Figure 7. MC100ES8111 AC Reference Measurement Waveform (PECL Input)

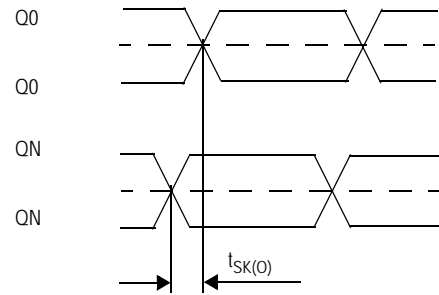


Figure 8. Output-to-Output Skew

The output-to-output skew is defined as the worst case difference in propagation delay between any two similar delay paths within a single device.

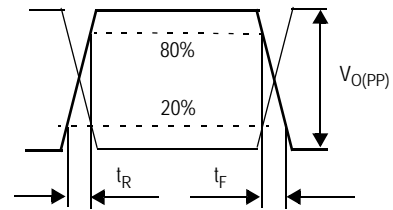
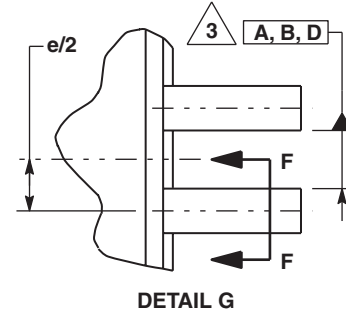
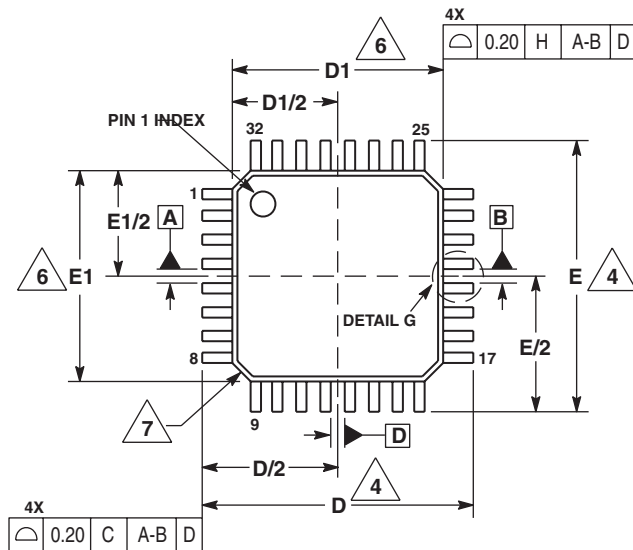


Figure 9. HSTL Output Rise/Fall Time

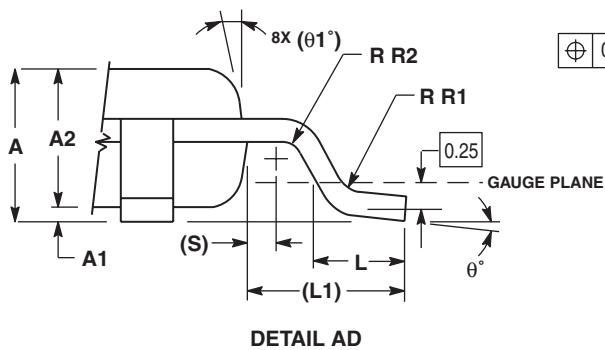
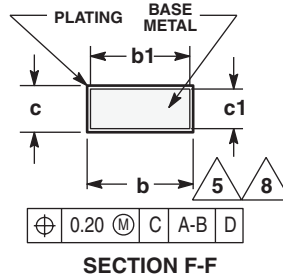
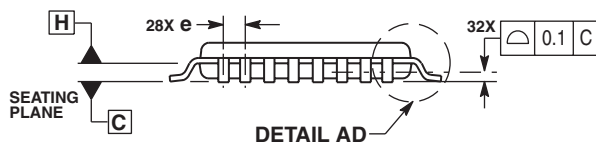
PACKAGE DIMENSIONS

CASE 873A-03 ISSUE B



NOTES:

1. DIMENSIONS ARE IN MILLIMETERS.
2. INTERPRET DIMENSIONS AND TOLERANCES PER ASME Y14.5M, 1994.
3. DATUMS A, B, AND D TO BE DETERMINED AT DATUM PLANE H.
4. DIMENSIONS D AND E TO BE DETERMINED AT SEATING PLANE C.
5. DIMENSION b DOES NOT INCLUDE DAMBAR PROTRUSION. ALLOWABLE DAMBAR PROTRUSION SHALL NOT CAUSE THE LEAD WIDTH TO EXCEED THE MAXIMUM b DIMENSION BY MORE THAN 0.08-mm. DAMBAR CANNOT BE LOCATED ON THE LOWER RADIUS OR THE FOOT. MINIMUM SPACE BETWEEN PROTRUSION AND ADJACENT LEAD OR PROTRUSION: 0.07-mm.
6. DIMENSIONS D1 AND E1 DO NOT INCLUDE MOLD PROTRUSION. ALLOWABLE PROTRUSION IS 0.25-mm PER SIDE. D1 AND E1 ARE MAXIMUM PLASTIC BODY SIZE DIMENSIONS INCLUDING MOLD MISMATCH.
7. EXACT SHAPE OF EACH CORNER IS OPTIONAL.
8. THESE DIMENSIONS APPLY TO THE FLAT SECTION OF THE LEAD BETWEEN 0.1-mm AND 0.25-mm FROM THE LEAD TIP.



MILLIMETERS		
DIM	MIN	MAX
A	1.40	1.60
A1	0.05	0.15
A2	1.35	1.45
b	0.30	0.45
b1	0.30	0.40
c	0.09	0.20
c1	0.09	0.16
D	9.00 BSC	
D1	7.00 BSC	
e	0.80 BSC	
E	9.00 BSC	
E1	7.00 BSC	
L	0.50	0.70
L1	1.00 REF	
q	0°	7°
q1	12 REF	
R1	0.08	0.20
R2	0.08	---
S	0.20 REF	

NOTES

NOTES

How to Reach Us:

Home Page:

www.freescale.com

E-mail:

support@freescale.com

USA/Europe or Locations Not Listed:

Freescale Semiconductor
Technical Information Center, CH370
1300 N. Alma School Road
Chandler, Arizona 85224
+1-800-521-6274 or +1-480-768-2130
support@freescale.com

Europe, Middle East, and Africa:

Freescale Halbleiter Deutschland GmbH
Technical Information Center
Schatzbogen 7
81829 Muenchen, Germany
+44 1296 380 456 (English)
+46 8 52200080 (English)
+49 89 92103 559 (German)
+33 1 69 35 48 48 (French)
support@freescale.com

Japan:

Freescale Semiconductor Japan Ltd.
Technical Information Center
3-20-1, Minami-Azabu, Minato-ku
Tokyo 106-0047, Japan
0120 191014 or +81 3 3440 3569
support.japan@freescale.com

Asia/Pacific:

Freescale Semiconductor Hong Kong Ltd.
Technical Information Center
2 Dai King Street
Tai Po Industrial Estate
Tai Po, N.T., Hong Kong
+800 2666 8080
support.asia@freescale.com

For Literature Requests Only:

Freescale Semiconductor Literature Distribution Center
P.O. Box 5405
Denver, Colorado 80217
1-800-441-2447 or 303-675-2140
Fax: 303-675-2150
LDCForFreescaleSemiconductor@hibbertgroup.com

Information in this document is provided solely to enable system and software implementers to use Freescale Semiconductor products. There are no express or implied copyright licenses granted hereunder to design or fabricate any integrated circuits or integrated circuits based on the information in this document.

Freescale Semiconductor reserves the right to make changes without further notice to any products herein. Freescale Semiconductor makes no warranty, representation or guarantee regarding the suitability of its products for any particular purpose, nor does Freescale Semiconductor assume any liability arising out of the application or use of any product or circuit, and specifically disclaims any and all liability, including without limitation consequential or incidental damages. "Typical" parameters that may be provided in Freescale Semiconductor data sheets and/or specifications can and do vary in different applications and actual performance may vary over time. All operating parameters, including "Typicals", must be validated for each customer application by customer's technical experts. Freescale Semiconductor does not convey any license under its patent rights nor the rights of others. Freescale Semiconductor products are not designed, intended, or authorized for use as components in systems intended for surgical implant into the body, or other applications intended to support or sustain life, or for any other application in which the failure of the Freescale Semiconductor product could create a situation where personal injury or death may occur. Should Buyer purchase or use Freescale Semiconductor products for any such unintended or unauthorized application, Buyer shall indemnify and hold Freescale Semiconductor and its officers, employees, subsidiaries, affiliates, and distributors harmless against all claims, costs, damages, and expenses, and reasonable attorney fees arising out of, directly or indirectly, any claim of personal injury or death associated with such unintended or unauthorized use, even if such claim alleges that Freescale Semiconductor was negligent regarding the design or manufacture of the part.



Freescale™ and the Freescale logo are trademarks of Freescale Semiconductor, Inc. All other product or service names are the property of their respective owners.

© Freescale Semiconductor, Inc. 2004. All rights reserved.

MC100ES8111
Rev. 2
09/2004