

NBSG111BAEVB

Evaluation Board Manual for NBSG111



ON Semiconductor®

<http://onsemi.com>

EVALUATION BOARD MANUAL

DESCRIPTION

This document describes the NBSG111 evaluation board and the appropriate lab test setups. It should be used in conjunction with the NBSG111 data sheet which contains full technical details on the device specifications and operation.

The evaluation board is designed to facilitate a quick evaluation of the NBSG111 GigaComm™ 1:10 clock data driver. The NBSG111 allows selection between two inputs and fan out 10 identical differential outputs. The Reduced Swing ECL (RSECL) output ensures minimal noise and fast switching edges.

The evaluation board is implemented in two layers for higher performance. For standard lab setup and test, a split (dual) power supply is required enabling the 50 Ω impedance from the scope to be used as termination of the ECL signals ($V_{TT} = V_{CC} - 2.0$ V, in split power supply setup, V_{TT} is the system ground).

What measurements can you expect to make?

With this evaluation board, the following measurements could be performed in single-ended⁽¹⁾ or differential modes of operation:

- Jitter
- Output Skew
- Gain/Return Loss
- Eye Pattern Generation
- Frequency Performance
- Output Rise and Fall Time
- V_{IHCMR} (Input High Common Mode Range)

1. Single-ended measurements can only be made at $V_{CC} - V_{EE} = 3.3$ V using this board setup.

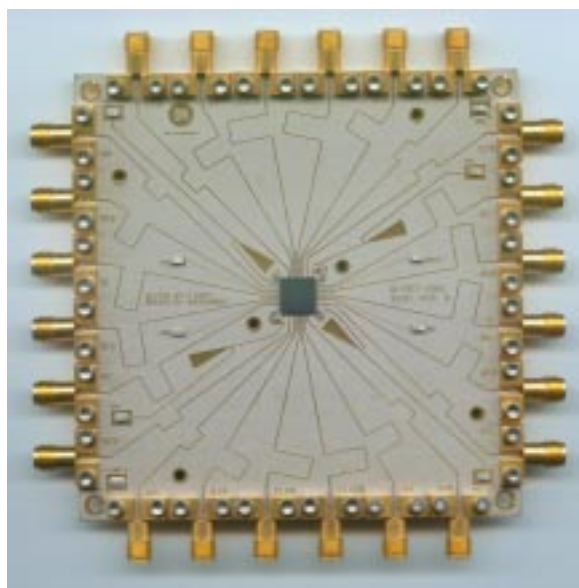


Figure 1. NBSG111 Evaluation Board

NBSG111BAEVB

Setup for Time Domain Measurements

Table 1. Basic Equipment

| Description | Example Equipment (Note 1) | Qty. |
|-----------------------------------------------|-------------------------------------------|------|
| Power Supply with 2 outputs | HP6624A | 1 |
| Oscilloscope | TDS8000 with 80E01 Sampling Head (Note 2) | 1 |
| Differential Signal Generator | HP 8133A, Advantest D3186 | 1 |
| Matched high speed cables with SMA connectors | Storm, Semflex | 10 |
| Power Supply cables with clips | | 3 |

1. Equipment used to generate example measurements within this document.
2. 50 GHz sample module used (for effective rise, fall and jitter performance measurement)

Setup

Step 1:

Connect Power

1a: Three power levels must be provided to the board for V_{CC} , V_{EE} , and GND via the surface mount clips. Using the split power supply mode, $GND = V_{TT} = V_{CC} - 2.0 V$.

| Power Supply Connections | |
|--------------------------|-------------------|
| 3.3 V Setup | 2.5 V Setup |
| $V_{CC} = 2.0 V$ | $V_{CC} = 2.0 V$ |
| $V_{TT} = GND$ | $V_{TT} = GND$ |
| $V_{EE} = -1.3 V$ | $V_{EE} = -0.5 V$ |

Step 2:

Connect Inputs

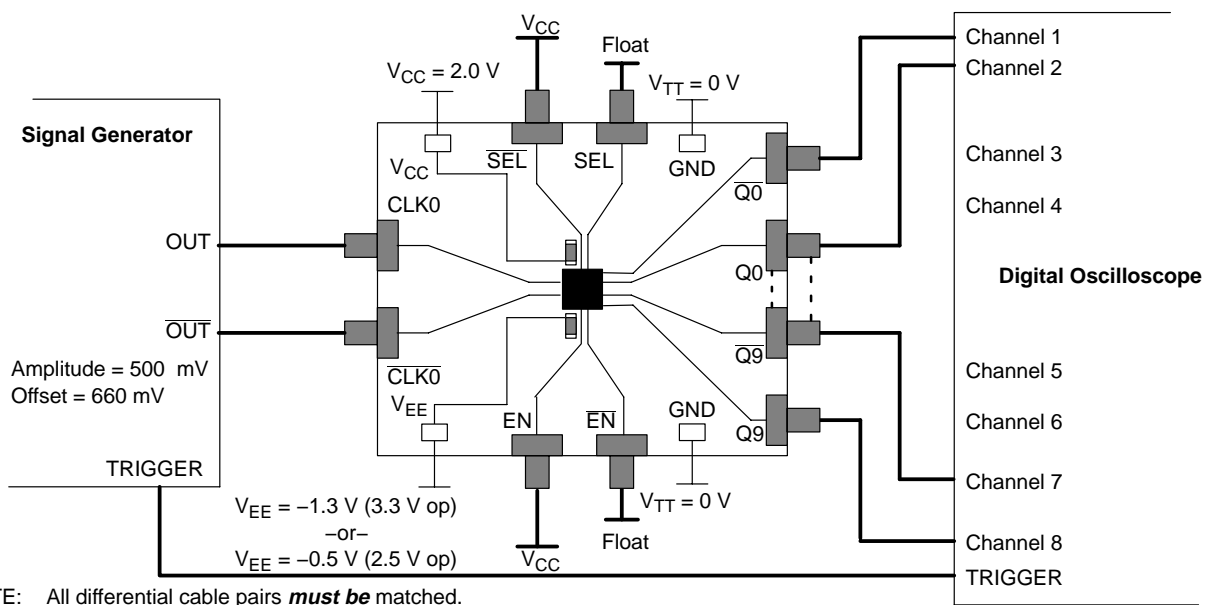
For Differential Mode (3.3 V and 2.5 V operation)

2a: Connect the differential output of the generator to the differential input of the device (CLK0 and $\overline{CLK0}$).

For Single-Ended Mode (3.3 V operation only)

2a: Connect the AC coupled single-ended output generator to input.

NOTE: For best results, unconnected input should be terminated to V_{TT} through 50Ω resistor



NOTE: All differential cable pairs **must be** matched.
 Due to simplification of the block diagram CLK1/ $\overline{CLK1}$ and Q1 - Q8 connections are not shown. * Q0 - Q9 Outputs

Figure 2. NBSG111 Board Setup - Time Domain (Differential Mode)

NBSG111BAEVB

Setup (continued)

Setup Input Signals

Step 3:

3a: Set the signal generator amplitude to 500 mV.

NOTE: The signal generator amplitude can vary from 75 mV to 900 mV to produce a 400 mV DUT output.

3b: Set the signal generator offset to 660 mV (the center of a nominal RSECL PECL output).

NOTE: The V_{IHCMR} (Input High Voltage Common Mode Range) allows the signal generator offset to vary as long as V_{IH} is within the V_{IHCMR} range. Refer to the device data sheet for further information.

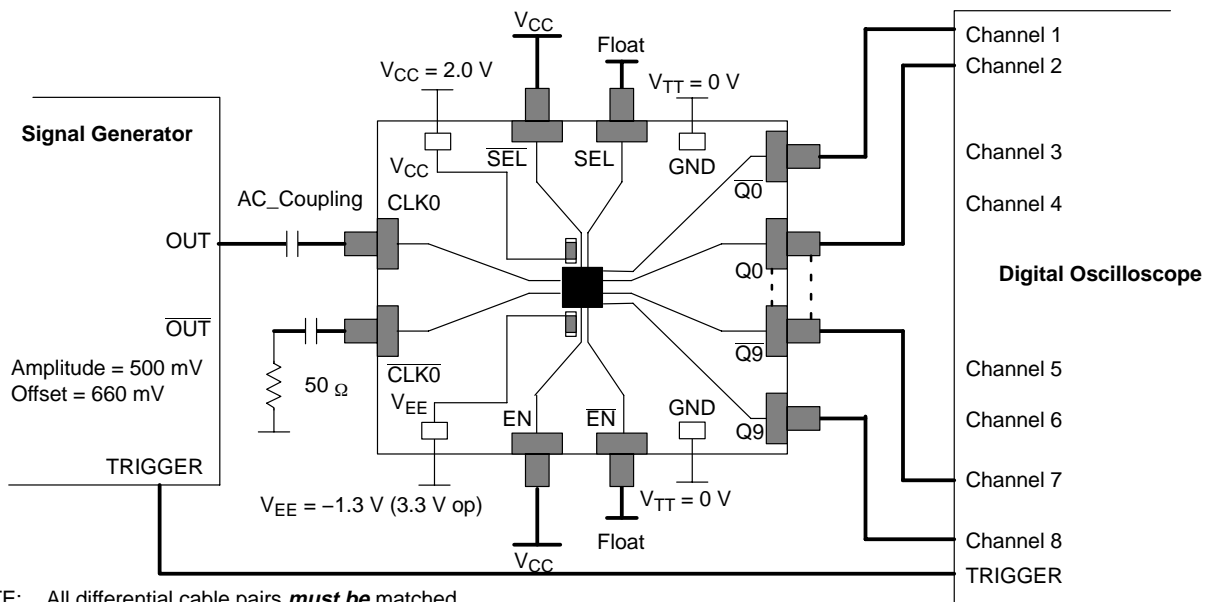
3c: Set the generator output for a PRBS data signal, or for a square wave clock signal with a 50% duty cycle.

Connect Output Signals

Step 4:

4a: Connect the outputs of the device (Q0, Q1, ...) to the Oscilloscope. The oscilloscope sampling head must have internal 50 Ω termination to ground.

NOTE: Where a single output is being used, the unconnected output for the pair **must be** terminated to V_{TT} through a 50 Ω resistor for best operation. Unused pairs may be left unconnected. Since $V_{TT} = 0$ V, a standard 50 Ω SMA termination is recommended.



NOTE: All differential cable pairs **must be** matched.
 Due to simplification of the block diagram CLK1/CLKT and Q1 – Q8 connections are not shown. * Q0 – Q9 Outputs

Figure 3. NBSG111 Board Setup – Time Domain (Single-Ended Mode)

NBSG111BAEVB

Setup for Frequency Domain Measurements

Table 2. Basic Equipment

| Description | Example Equipment (Note 3) | Qty. |
|-----------------------------------------------|----------------------------|------|
| Power Supply with 2 outputs | HP 6624A | 1 |
| Vector Network Analyzer (VNA) | R&S ZVK (10 MHz to 40 GHz) | 1 |
| 180° Hybrid Coupler | Krytar Model #4010180 | 1 |
| Bias Tee with 50 Ω Resistor Termination | Picosecond Model #5542-219 | 1 |
| Matched high speed cables with SMA connectors | Storm, Semflex | 3 |
| Power Supply cables with clips | | 3 |

3. Equipment used to generate example measurements.

Setup

Step 1:

Connect Power

1a: Three power levels must be provided to the board for V_{CC} , V_{EE} , and GND via the surface mount clips. Using the split power supply mode, $GND = V_{TT} = V_{CC} - 2.0 V$.

| Power Supply Connections | |
|--------------------------|-------------------|
| 3.3 V Setup | 2.5 V Setup |
| $V_{CC} = 2.0 V$ | $V_{CC} = 2.0 V$ |
| $V_{TT} = GND$ | $V_{TT} = GND$ |
| $V_{EE} = -1.3 V$ | $V_{EE} = -0.5 V$ |

NOTE: For frequency domain measurements, 2.5 V power supply is not recommended because additional equipment (bias tee, etc.) is needed for proper operation. The input signal has to be properly offset to meet V_{IHCMR} range of the device.

NBSG111BAEVB

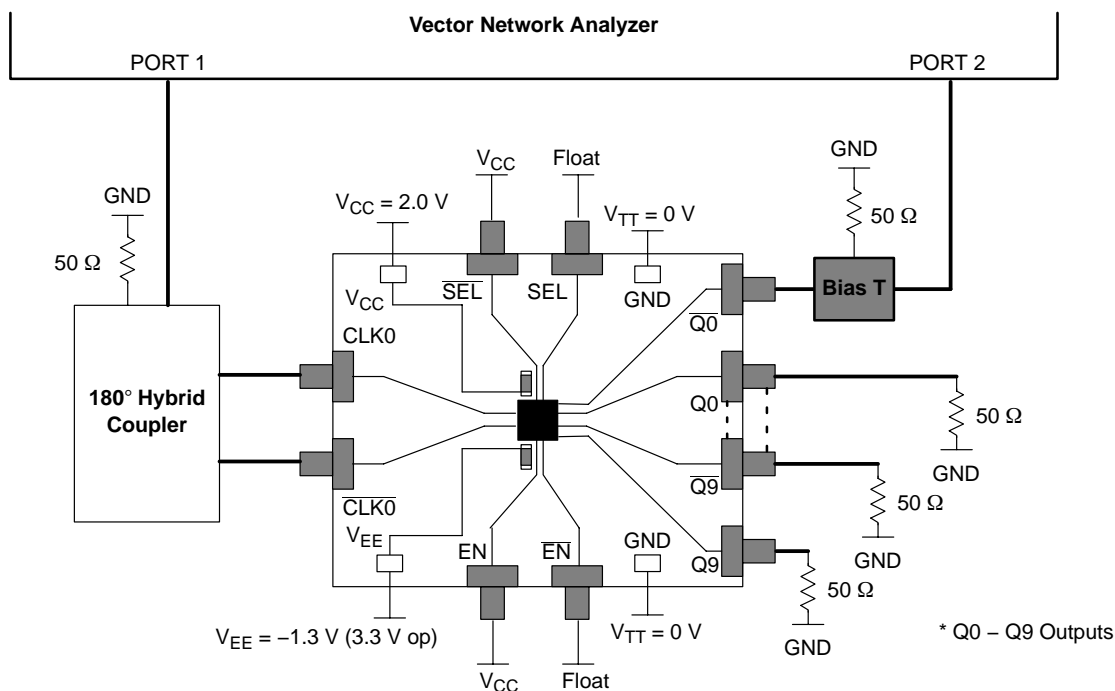
Setup Test Configurations For Differential Operation

Small Signal Setup

| | |
|----------------|-------------------------------------------------------------------------------------------------------------------------------------------------------------------------|
| Step 2: | Input Setup 2a: Calibrate VNA from 1.0 GHz to 12 GHz. 2b: Set input level to -35 dBm at the output of the 180° Hybrid coupler (input of the DUT). |
| Step 3: | Output Setup 3a: Set display to measure S_{21} and record data. |

Large Signal Setup

| | |
|----------------|-------------------------------------------------------------------------------------------------------------------------------------|
| Step 2: | Input Setup 2a: Calibrate VNA from 1.0 GHz to 12 GHz. 2b: Set input levels to -2.0 dBm (500 mV) at the input of DUT. |
| Step 3: | Output Setup 3a: Set display to measure S_{21} and record data. |



NOTE: All differential cable pairs **must be** matched.
 Due to simplification of the block diagram CLK1/CLK1 and Q1 – Q8 connections are not shown.

Figure 4. NBSG111 Board Setup – Frequency Domain (Differential Mode)

NBSG111BAEVB

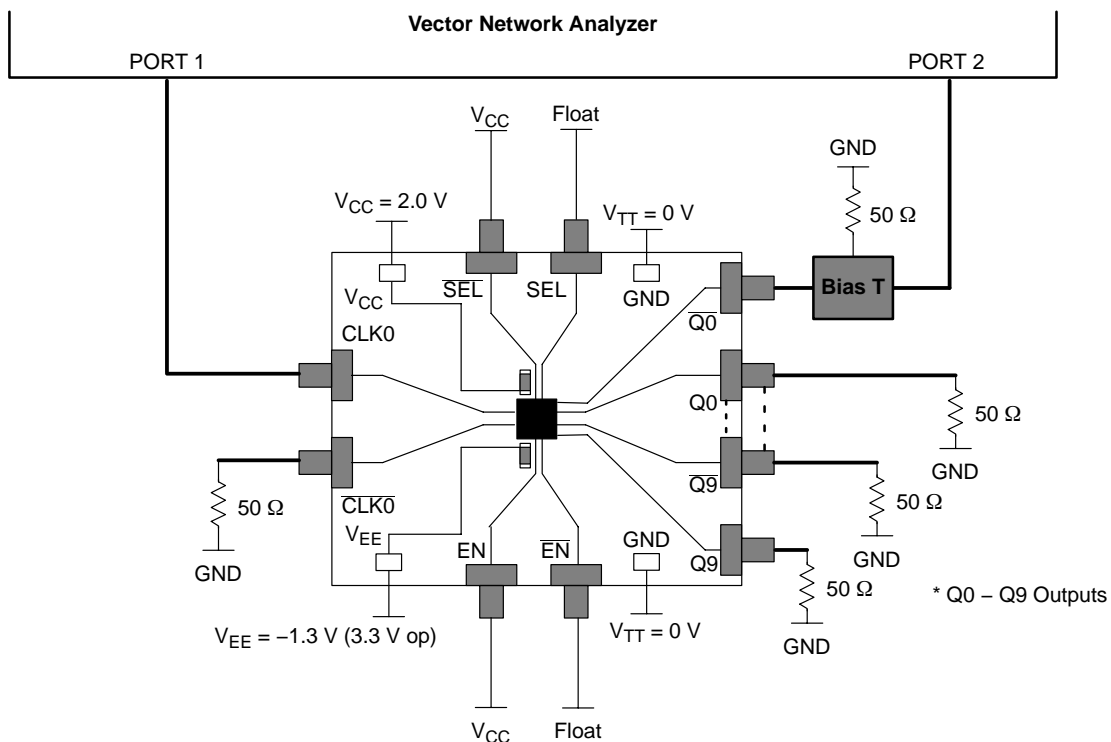
Setup Test Configurations For Single-Ended Operation

Single-Ended Mode – Small Signal

| | |
|----------------|------------------------------------------------------------------------------------------------------------------------|
| Step 2: | Input Setup 2a: Calibrate VNA from 1.0 GHz to 12 GHz. 2b: Set input level to -35 dBm at the input of DUT. |
| Step 3: | Output Setup 3a: Set display to measure S21 and record data. |

Single-Ended Mode – Large Signal

| | |
|----------------|---------------------------------------------------------------------------------------------------------------------------------|
| Step 2: | Input Setup 2a: Calibrate VNA from 1.0 GHz to 12 GHz. 2b: Set input levels to +2 dBm (500 mV) at the input of DUT. |
| Step 3: | Output Setup 3a: Set display to measure S21 and record data. |



NOTE: All differential cable pairs **must be** matched.
 Due to simplification of the block diagram CLK1/CLK1 and Q1 – Q8 connections are not shown.

Figure 5. NBSG111 Board Setup – Frequency Domain (Single-Ended Mode)

NBSG111BAEVB

More Information About Evaluation Board

Design Considerations for >10 GHz operation

While the NBSG111 is specified to operate at 12 GHz, this evaluation board is designed to support operating frequencies up to 20 GHz.

The following considerations played a key role to ensure this evaluation board achieves high-end microwave performance:

- Optimal SMA connector launch
- Minimal insertion loss and signal dispersion
- Accurate Transmission line matching (50 ohms)
- Distributed effects while bypassing and noise filtering

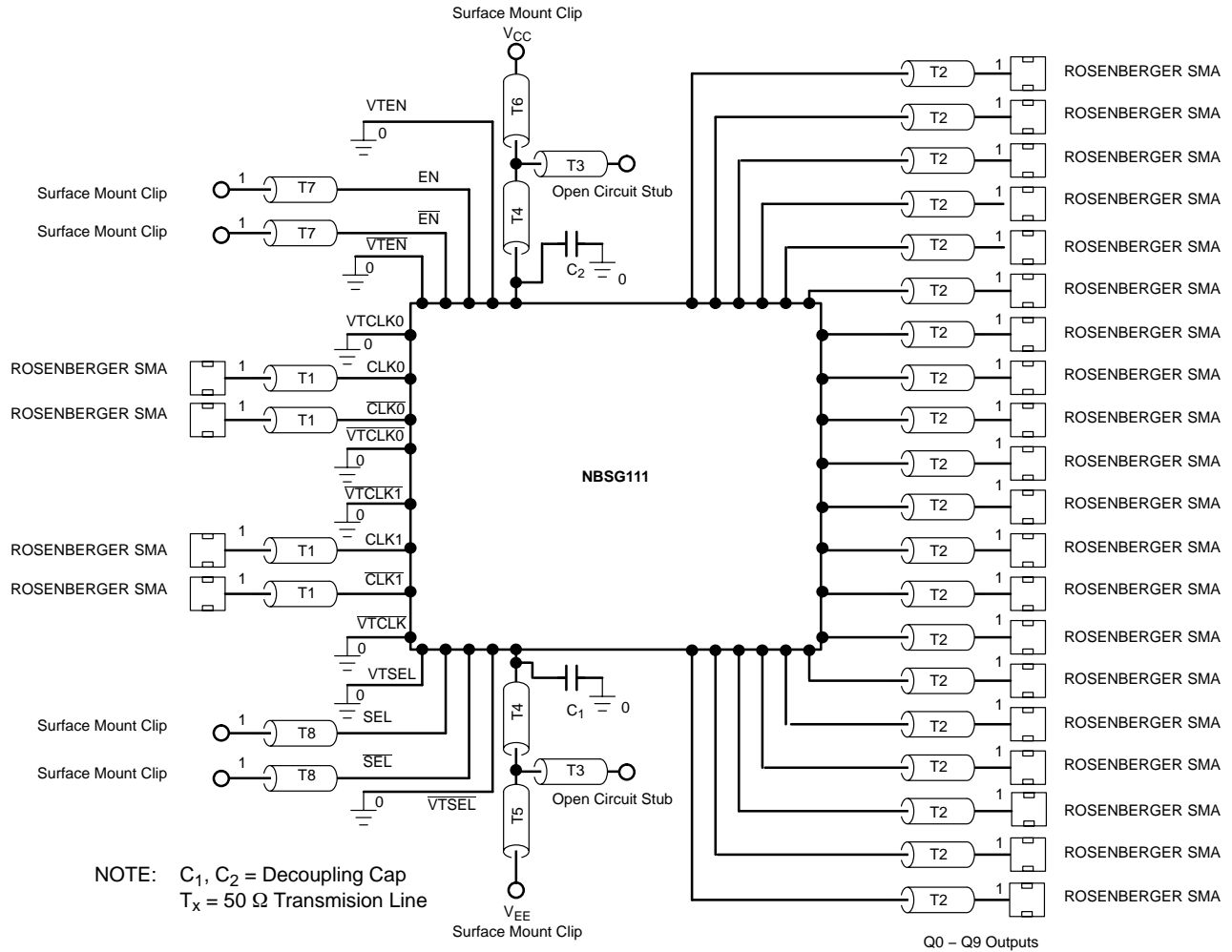


Figure 6. Evaluation Board Schematic

NBSG11BAEVB

Table 3. Parts List

| Part No | Description | Manufacturer | WEB address |
|--------------|-----------------------------------------------------------------------|-------------------------|---------------------------------------------------------------------------|
| NBSG111BA | 2.5V/3.3V SiGe Differential 1:10 Clock/Data Driver with RSECL Outputs | ON Semiconductor | http://www.onsemi.com/NBSG111 |
| 32K243-40ME3 | Gold plated connector | Rosenberger | http://www.rosenberger.de |
| CO6BLBB2X5UX | 2 MHz – 30 GHz capacitor | Dielectric Laboratories | http://www.dilabs.com |

Table 4. Board Material

| Material | Thickness |
|----------------|-----------|
| Rogers 6002 | 5.0 mil |
| Copper Plating | 32 mil |

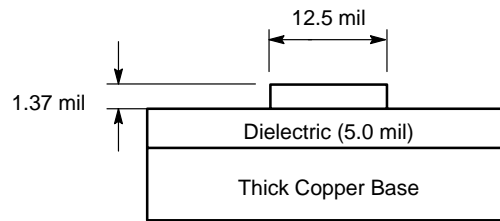


Figure 7. Board Stack-up

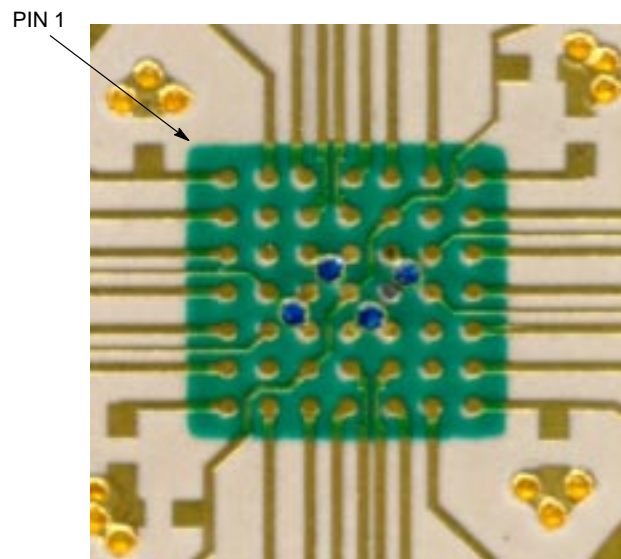


Figure 8. Layout Mask for NBSG111

NBSG111BAEVB

EXAMPLE MEASUREMENTS IN TIME DOMAIN

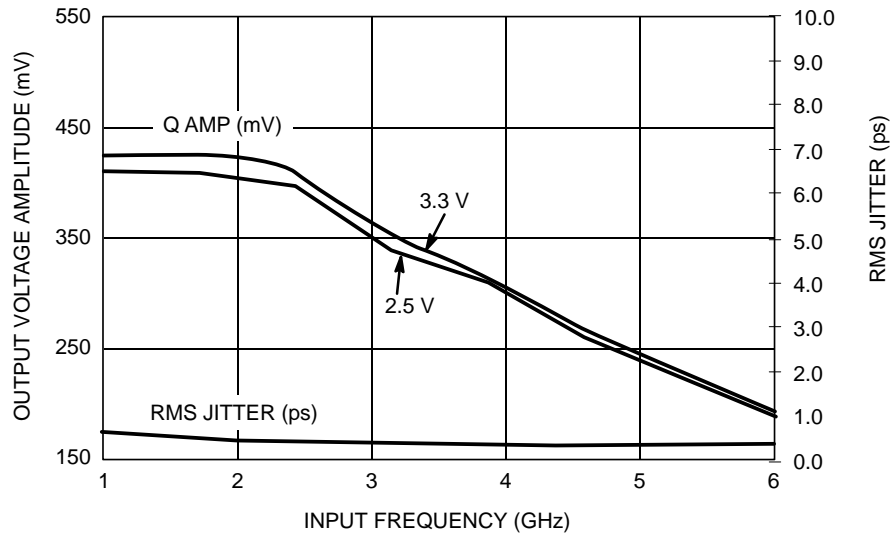


Figure 9. Output Voltage Amplitude (V_{OUTPP}) / RMS Jitter vs. Input Frequency (f_{in}) at Ambient Temperature (Typical)

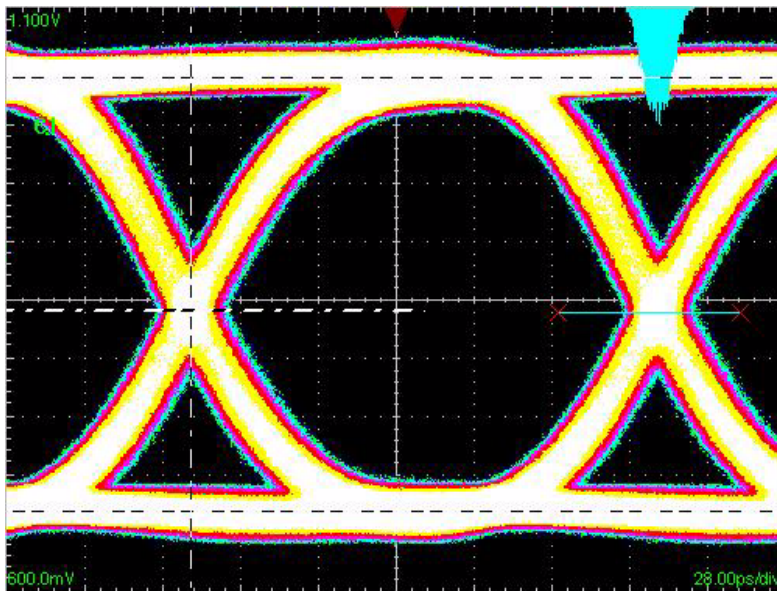


Figure 10. NBSG111: Eye Diagram at 6 Gbps with PRBS $2^{31}-1$
(Total Pk-Pk system jitter including signal generator is 28 ps. Device Pk-Pk jitter is typically 14 ps.)

NBSG111BAEVB

ADDITIONAL EVALUATION BOARD INFORMATION

www.onsemi.com

In all cases, the most up-to-date information can be found on our website.

- Sample orders for devices and boards
- New Product updates
- Literature download/order
- IBIS and Spice models

References

NBSG111/D, Data Sheet, *NBSG111, 2.5V/3.3V SiGe 1:10 Differential Clock / Data Driver with RSECL Outputs*

AND8077/D, Application Note, *GigaComm™ (SiGe) SPICE Modeling Kit*.

AND8075/D, Application Note, *Board Mounting Considerations for the FCBGA Packages*.

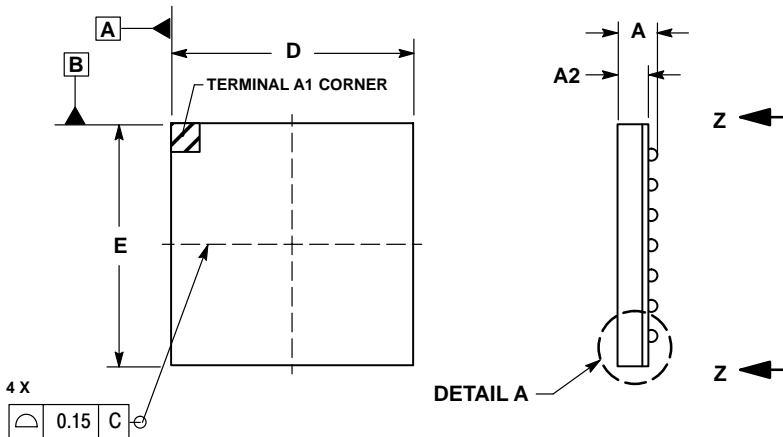
ORDERING INFORMATION

| Orderable Part No | Description | Package | Shipping |
|-------------------|-----------------------------------------------------------------------|-----------------|----------------|
| NBSG111BA | 2.5V/3.3V SiGe Differential 1:10 Clock/Data Driver with RSECL Outputs | 4X4 mm FCBGA-49 | 100 Units/Tray |
| NBSG111BA | 2.5V/3.3V SiGe Differential 1:10 Clock/Data Driver with RSECL Outputs | 4X4 mm FCBGA-49 | 500 Units/Reel |
| NBSG111BAEVB | NBSG111 Evaluation Board | | |

NBSG11BAEVB

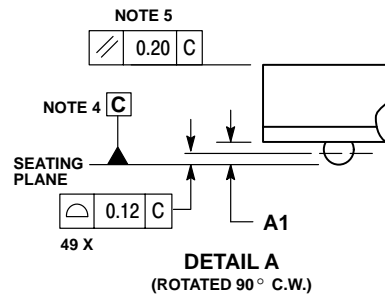
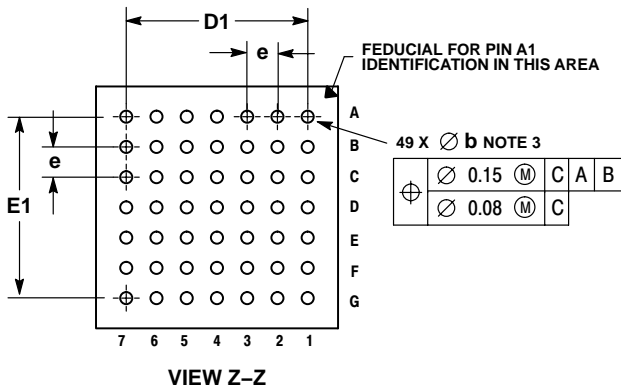
PACKAGE DIMENSIONS

**FCBGA-49
BA SUFFIX**
PLASTIC 8x8 mm (1.0 mm pitch) BGA FLIP CHIP PACKAGE
CASE 489A-02
ISSUE A




- NOTES:
1. CONTROLLING DIMENSION: MILLIMETER.
 2. DIMENSIONS AND TOLERANCES PER ASME Y14.5M-1994.
 3. DIMENSION b IS MEASURED AT THE MAXIMUM SOLDER BALL DIAMETER, PARALLEL TO DATUM PLANE C.
 4. DATUM C (SEATING PLANE) IS DEFINED BY THE SPHERICAL CROWNS OF THE SOLDER BALLS.
 5. PARALLELISM MEASUREMENT SHALL EXCLUDE ANY EFFECT OF MARK ON TOP SURFACE OF PACKAGE.
 6. 489A-01 OBSOLETE, NEW STANDARD 489A-02.

| DIM | MILLIMETERS | |
|-----|-------------|------|
| | MIN | MAX |
| A | --- | 1.40 |
| A1 | 0.3 | 0.5 |
| A2 | 0.91 REF | |
| b | 0.40 | 0.60 |
| D | 8.00 BSC | |
| D1 | 6.00 BSC | |
| E | 8.00 BSC | |
| E1 | 6.00 BSC | |
| e | 1.00 BSC | |



NBSG111BAEVB

GigaComm is a trademark of Semiconductor Components Industries, LLC.

ON Semiconductor and  are registered trademarks of Semiconductor Components Industries, LLC (SCILLC). SCILLC reserves the right to make changes without further notice to any products herein. SCILLC makes no warranty, representation or guarantee regarding the suitability of its products for any particular purpose, nor does SCILLC assume any liability arising out of the application or use of any product or circuit, and specifically disclaims any and all liability, including without limitation special, consequential or incidental damages. "Typical" parameters which may be provided in SCILLC data sheets and/or specifications can and do vary in different applications and actual performance may vary over time. All operating parameters, including "Typicals" must be validated for each customer application by customer's technical experts. SCILLC does not convey any license under its patent rights nor the rights of others. SCILLC products are not designed, intended, or authorized for use as components in systems intended for surgical implant into the body, or other applications intended to support or sustain life, or for any other application in which the failure of the SCILLC product could create a situation where personal injury or death may occur. Should Buyer purchase or use SCILLC products for any such unintended or unauthorized application, Buyer shall indemnify and hold SCILLC and its officers, employees, subsidiaries, affiliates, and distributors harmless against all claims, costs, damages, and expenses, and reasonable attorney fees arising out of, directly or indirectly, any claim of personal injury or death associated with such unintended or unauthorized use, even if such claim alleges that SCILLC was negligent regarding the design or manufacture of the part. SCILLC is an Equal Opportunity/Affirmative Action Employer. This literature is subject to all applicable copyright laws and is not for resale in any manner.

PUBLICATION ORDERING INFORMATION

LITERATURE FULFILLMENT:

Literature Distribution Center for ON Semiconductor
P.O. Box 5163, Denver, Colorado 80217 USA

Phone: 303-675-2175 or 800-344-3860 Toll Free USA/Canada

Fax: 303-675-2176 or 800-344-3867 Toll Free USA/Canada

Email: orderlit@onsemi.com

N. American Technical Support: 800-282-9855 Toll Free
USA/Canada

Japan: ON Semiconductor, Japan Customer Focus Center
2-9-1 Kamimeguro, Meguro-ku, Tokyo, Japan 153-0051
Phone: 81-3-5773-3850

ON Semiconductor Website: <http://onsemi.com>

Order Literature: <http://www.onsemi.com/litorder>

For additional information, please contact your
local Sales Representative.

NBSG111BAEVB/D