

Complete Data Sheet available via web, Harris' home page: <http://www.semi.harris.com> or via Harris AnswerFAX, see Section 17

August 1997

## 12-Bit, Buffered, Multiplying CMOS DAC

### Features

- 12-Bit Resolution
- Low Gain T.C. 2ppm/°C (Typ)
- Fast TTL/CMOS Compatible Data Latches
- Single +5V to +15V Supply
- Low Power
- Low Cost
- /883 Processed Versions Available

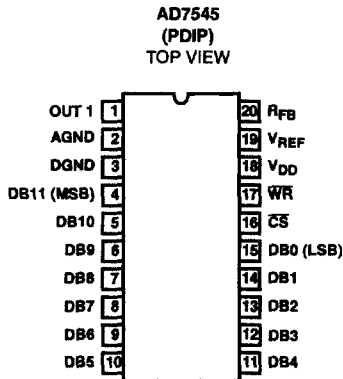
### Ordering Information

PART NUMBER	TEMP. RANGE (°C)	PACKAGE	PKG. NO.
AD7545JN	0 to 70	20 Ld PDIP	E20.3
AD7545KN	0 to 70	20 Ld PDIP	E20.3
AD7545AN	-40 to 85	20 Ld PDIP	E20.3
AD7545BN	-40 to 85	20 Ld PDIP	E20.3

### Description

The AD7545 is a low cost monolithic 12-bit, CMOS multiplying DAC with on-board data latches. Data is loaded in a single 12-bit wide word which allows interfacing directly to most 12-bit and 16-bit bus systems. Loading of the input latches is under the control of the CS and WR inputs. A logic low on these control inputs makes the input latches transparent allowing direct unbuffered operation of the DAC.

### Pinout



### Functional Diagram

