

REVISIONS

LTR	DESCRIPTION	DATE (YR-MO-DA)	APPROVED
A	Add device type 02.	98-12-10	K. A. Cottongim

REV	A	A	A	A	A	A	A	A	A	A	A	A	A	A	A	A	A	A	A	
SHEET	35	36	37	38	39	40	41	42	43	44	45	46	47	48	49	50	51	52	53	
REV	A	A	A	A	A	A	A	A	A	A	A	A	A	A	A	A	A	A	A	A
SHEET	15	16	17	18	19	20	21	22	23	24	25	26	27	28	29	30	31	32	33	34

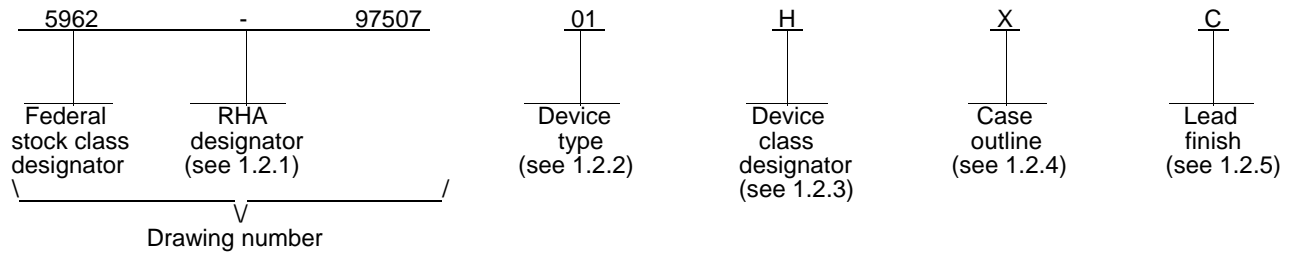
REV STATUS OF SHEETS	REV	A	A	A	A	A	A	A	A	A	A	A	A	A	A	A	A	A	A	A
	SHEET	1	2	3	4	5	6	7	8	9	10	11	12	13	14					

<p align="center">STANDARD MICROCIRCUIT DRAWING</p> <p>THIS DRAWING IS AVAILABLE FOR USE BY ALL DEPARTMENTS AND AGENCIES OF THE DEPARTMENT OF DEFENSE</p> <p align="center">AMSC N/A</p>	PMIC N/A	<p>PREPARED BY Gary Zahn</p>	<p align="center">DEFENSE SUPPLY CENTER COLUMBUS P. O. BOX 3990 COLUMBUS, OHIO 43216-5000</p> <p>MICROCIRCUIT, HYBRID, DIGITAL, QUAD, (4 X 32-BIT) MICROCONTROLLER, +3.3 VOLT SUPPLY</p>	
		<p>CHECKED BY Michael C. Jones</p>		
		<p>APPROVED BY Kendall A. Cottongim</p>		
		<p>DRAWING APPROVAL DATE 98-03-23</p>		
		<p>REVISION LEVEL A</p>		
	<table border="1"> <tr> <td>SIZE A</td> <td>CAGE CODE 67268</td> <td>5962-97507</td> </tr> </table>	SIZE A	CAGE CODE 67268	5962-97507
SIZE A	CAGE CODE 67268	5962-97507		
	<p>SHEET 1 OF 53</p>			

1. SCOPE

1.1 Scope. This drawing documents five product assurance classes, class D (lowest reliability), class E, (exceptions), class G (lowest high reliability), class H (high reliability), and class K, (highest reliability) and a choice of case outlines and lead finishes are available and are reflected in the Part or Identifying Number (PIN). When available, a choice of radiation hardness assurance levels are reflected in the PIN.

1.2 PIN. The PIN shall be as shown in the following example:



1.2.1 Radiation hardness assurance (RHA) designator. Device classes H and K RHA marked devices shall meet the MIL-PRF-38534 specified RHA levels and shall be marked with the appropriate RHA designator. A dash (-) indicates a non-RHA device.

1.2.2 Device type(s). The device type(s) shall identify the circuit function as follows:

Device type	Generic number	Circuit function
01	AD14060LBF/QML-4	Quad digital signal processor, +3.3 V supply, 40 MHz, Twelve, 40 megabyte/s link ports (3 from each processor), Four, 40 megabit/s independent serial ports (1 from each processor)
02	AD14060LTF/QML-4	Quad digital signal processor, +3.3 V supply, 37 MHz, Twelve, 37 megabyte/s link ports (3 from each processor), Four, 37 megabit/s independent serial ports (1 from each processor)

1.2.3 Device class designator. This device class designator shall be a single letter identifying the product assurance level as follows:

Device class	Device performance documentation
D, E, G, H, or K	Certification and qualification to MIL-PRF-38534

1.2.4 Case outline(s). The case outline(s) shall be as designated in MIL-STD-1835 and as follows:

Outline letter	Descriptive designator	Terminals	Package style
X	See figure 1	308	Quad ceramic flat pack

1.2.5 Lead finish. The lead finish shall be as specified in MIL-PRF-38534.

1.3 Absolute maximum ratings. 1/

Supply voltage (V_{DD})	-0.3 V dc to +4.6 V dc
Input voltage (V_{IN})	-0.5 V dc to $V_{DD} + 0.5$ V dc
Output voltage swing (V_{OUT})	-0.3 V dc to $V_{DD} + 0.5$ V dc
Load capacitance	200 pF
Junction temperature under bias (T_J)	+130° C
Junction to case temperature (θ_{JC})	0.36° C/W
Lead temperature soldering (5 seconds)	+280° C
Storage temperature range	-65° C to +150° C

1/ Stresses above the absolute maximum rating may cause permanent damage to the device. Extended operation at the maximum levels may degrade performance and affect reliability.

STANDARD MICROCIRCUIT DRAWING DEFENSE SUPPLY CENTER COLUMBUS COLUMBUS, OHIO 43216-5000	SIZE A		5962-97507
		REVISION LEVEL A	SHEET 2

1.4 Recommended operating conditions.

Supply voltage (V _{DD}):	
Device type 01	+3.15 V dc to +3.6 V dc
Device type 02	+3.13 V dc to +3.47 V dc
Case operating temperature range (T _C):	
Device type 01	-40° C to +100° C
Device type 02	-55° C to +125° C

2. APPLICABLE DOCUMENTS

2.1 Government specification, standards, and handbook. The following specification, standards, and handbook form a part of this drawing to the extent specified herein. Unless otherwise specified, the issues of these documents are those listed in the issue of the Department of Defense Index of Specifications and Standards (DoDISS) and supplement thereto, cited in the solicitation.

SPECIFICATION

DEPARTMENT OF DEFENSE

MIL-PRF-38534 - Hybrid Microcircuits, General Specification for.

STANDARDS

DEPARTMENT OF DEFENSE

- MIL-STD-883 - Test Methods and Procedures for Microelectronics.
- MIL-STD-973 - Configuration Management.
- MIL-STD-1835 - Microcircuit Case Outlines.

HANDBOOK

DEPARTMENT OF DEFENSE

MIL-HDBK-780 - Standard Microcircuit Drawings.

(Unless otherwise indicated, copies of the specification, standards, and handbook are available from the Standardization Document Order Desk, 700 Robbins Avenue, Building 4D, Philadelphia, PA 19111-5094.)

2.2 Order of precedence. In the event of a conflict between the text of this drawing and the references cited herein, the text of this drawing takes precedence. Nothing in this document, however, supersedes applicable laws and regulations unless a specific exemption has been obtained.

3. REQUIREMENTS

3.1 Item requirements. The individual item performance requirements for device classes D, E, G, H, and K shall be in accordance with MIL-PRF-38534. Compliance with MIL-PRF-38534 may include the performance of all tests herein or as designated in the device manufacturer's Quality Management (QM) plan or as designated for the applicable device class. Therefore, the tests and inspections herein may not be performed for the applicable device class (see MIL-PRF-38534). Furthermore, the manufacturers may take exceptions or use alternate methods to the tests and inspections herein and not perform them. However, the performance requirements as defined in MIL-PRF-38534 shall be met for the applicable device class.

3.2 Design, construction, and physical dimensions. The design, construction, and physical dimensions shall be as specified in MIL-PRF-38534 and herein.

STANDARD MICROCIRCUIT DRAWING DEFENSE SUPPLY CENTER COLUMBUS COLUMBUS, OHIO 43216-5000	SIZE A		5962-97507
		REVISION LEVEL A	SHEET 3

3.2.1 Case outline(s). The case outline(s) shall be in accordance with 1.2.4 herein and figure 1.

3.2.2 Terminal connections. The terminal connections shall be as specified on figure 2.

3.2.3 Block diagram(s). The block diagram(s) shall be as specified on figure 3.

3.2.4 Timing waveform(s). The timing waveform(s) shall be as specified on figure 4.

3.3 Electrical performance characteristics. Unless otherwise specified herein, the electrical performance characteristics are as specified in table I and shall apply over the full specified operating temperature range.

3.4 Electrical test requirements. The electrical test requirements shall be the subgroups specified in table II. The electrical tests for each subgroup are defined in table I.

3.5 Marking of Device(s). Marking of device(s) shall be in accordance with MIL-PRF-38534. The device shall be marked with the PIN listed in 1.2 herein. In addition, the manufacturer's vendor similar PIN may also be marked as listed in QML-38534.

3.6 Data. In addition to the general performance requirements of MIL-PRF-38534, the manufacturer of the device described herein shall maintain the electrical test data (variables format) from the initial quality conformance inspection group A lot sample, for each device type listed herein. Also, the data should include a summary of all parameters manually tested, and for those which, if any, are guaranteed. This data shall be maintained under document revision level control by the manufacturer and be made available to the preparing activity (DSCC-VA) upon request.

3.7 Certificate of compliance. A certificate of compliance shall be required from a manufacturer in order to supply to this drawing. The certificate of compliance (original copy) submitted to DSCC-VA shall affirm that the manufacturer's product meets the performance requirements of MIL-PRF-38534 and herein.

3.8 Certificate of conformance. A certificate of conformance as required in MIL-PRF-38534 shall be provided with each lot of microcircuits delivered to this drawing.

4. QUALITY ASSURANCE PROVISIONS

4.1 Sampling and inspection. Sampling and inspection procedures shall be in accordance with MIL-PRF-38534 or as modified in the device manufacturer's Quality Management (QM) plan. The modification in the QM plan shall not affect the form, fit, or function as described herein.

4.2 Screening. Screening shall be in accordance with MIL-PRF-38534. The following additional criteria shall apply:

a. Burn-in test, method 1015 of MIL-STD-883.

(1) Test condition A, B, C, or D. The test circuit shall be maintained by the manufacturer under document revision level control and shall be made available to either DSCC-VA or the acquiring activity upon request. Also, the test circuit shall specify the inputs, outputs, biases, and power dissipation, as applicable, in accordance with the intent specified in test method 1015 of MIL-STD-883.

(2) T_C as specified in accordance with table I of method 1015 of MIL-STD-883.

STANDARD MICROCIRCUIT DRAWING DEFENSE SUPPLY CENTER COLUMBUS COLUMBUS, OHIO 43216-5000	SIZE A		5962-97507
		REVISION LEVEL A	SHEET 4

b. Interim test parameters shall be as specified in table II herein, except interim electrical parameter tests prior to burn-in are optional at the discretion of the manufacturer.

- (1) Static supply current (IDDQ).
Checks that current draw is not grossly excessive. Current exceeding 1.3 amperes on the module indicates failure. Normal measured current is about 0.5 amperes.
- (2) Interconnects.
Checks for electrical continuity through the package leads and wirebonds, along with continuity of internal wiring within the module.
- (3) Single processor functional.
A collection of test routines perform a rudimentary check of the basic functionality of each individual processor. The following individual processor units are tested: DAGs 1 and 2, timer, program sequencer, PX register, multiplier, data register file, shifter, ALU, link ports, serial ports, DMA, IOP registers, and memory.
 - (a) Serial port test.
This routine uses internal loopback to test basic operation of serial port 0 and serial port 1, by transmitting and receiving 16-bit words. In addition, the COMPare operation of the ALU and BitSET operation of the shifter are tested. Serial ports are tested at a clock rate of 10 MHz.
 - (b) Computation routine.
The routine tests basic operation of the ALU through ADD, SUBTRACT, and COMPare functions. In addition, the multiplier and DAGs are tested using floating point multiply and load/write functions, while the shifter is tested with a BitSET function. All operations use 32-bit words.
 - (c) Link routine.
Using 32-bit data and internal memory to memory receive, basic operation of Link buffers 0 - 5 is tested. In addition, the ALU, COMPare, and shifter BitSET functions are tested.
 - (d) PX routine.
This routine tests basic operation of the PX register and short word addressing. The PX register is loaded with a 48-bit word, then the PX is read into memory. Short word addressing is used to read back, in 16-bit word segments, the 48-bit word from memory. In addition, the ALU, COMPare, and shifter BitSET functions are tested.
 - (e) Timer routine.
This routine will count down the timer until $t_{count} = 0$, at which time an interrupt will occur, followed by a return to the code. This test will verify operation of the program sequencer, timer, ALU, COMPare function, and shifter BitSET function.
- (4) Multiprocessor functional.
 - (a) Interprocessor links: all tested using 2 times the clock rate (80 MHz for device type 01) and (74 MHz for device type 02).
 - (b) Multiprocessor memory space: each processor accesses and checks memory of the other three processors.

c. Final electrical test parameters shall be as specified in table II herein.

STANDARD MICROCIRCUIT DRAWING DEFENSE SUPPLY CENTER COLUMBUS COLUMBUS, OHIO 43216-5000	SIZE A		5962-97507
		REVISION LEVEL A	SHEET 5

TABLE I. Electrical performance characteristics.

Test	Symbol	Conditions <u>1/</u> unless otherwise specified	Group A subgroups	Device types	Limits		Unit
					Min	Max	
High level input voltage <u>2/</u>	V _{IH1}	V _{DD} = +3.6 V dc	1, 2, 3	01	2.0		V
		V _{DD} = +3.47 V dc		02	2.0		
High level input voltage <u>3/</u>	V _{IH2}	V _{DD} = +3.6 V dc	1, 2, 3	01	2.2		V
		V _{DD} = +3.47 V dc		02	2.2		
Low level input voltage <u>2/ 3/</u>	V _{IL}	V _{DD} = +3.15 V dc	1, 2, 3	01		0.8	V
		V _{DD} = +3.13 V dc		02		0.8	
High level output voltage <u>4/</u>	V _{OH}	V _{DD} = +3.15 V dc, <u>5/</u> I _{OH} = -2.0 mA	1, 2, 3	01	2.4		V
		V _{DD} = +3.13 V dc I _{OH} = -2.0 mA		02	2.4		
Low level output voltage <u>4/</u>	V _{OL}	V _{DD} = +3.15 V dc, <u>5/</u> I _{OL} = 4.0 mA	1, 2, 3	01		0.4	V
		V _{DD} = +3.13 V dc I _{OL} = 4.0 mA		02		0.4	
High level input <u>6/ 7/ 8/</u> current	I _{IH}	V _{DD} = +3.6 V dc, V _{IN} = V _{DDMAX}	1, 2, 3	01		10	μA
		V _{DD} = +3.47 V dc V _{IN} = V _{DDMAX}		02		10	

See footnotes at end of table.

STANDARD MICROCIRCUIT DRAWING DEFENSE SUPPLY CENTER COLUMBUS COLUMBUS, OHIO 43216-5000	SIZE A		5962-97507
		REVISION LEVEL A	SHEET 6

TABLE I. Electrical performance characteristics - Continued.

Test	Symbol	Conditions <u>1/</u> unless otherwise specified	Group A subgroups	Device types	Limits		Unit
					Min	Max	
High level input <u>8/ 9/ 10/</u> current	I _{IHx4}	V _{DD} = +3.6 V dc, V _{IN} = V _{DDMAX}	1, 2, 3	01		40	μA
		V _{DD} = +3.47 V dc V _{IN} = V _{DDMAX}		02		40	
Low level input current <u>6/</u>	I _{IL}	V _{DD} = +3.6 V dc, V _{IN} = 0 V	1, 2, 3	01		10	μA
		V _{DD} = +3.47 V dc, V _{IN} = 0 V		02		10	
Low level input current <u>9/</u>	I _{ILx4}	V _{DD} = +3.6 V dc, V _{IN} = 0 V	1, 2, 3	01		40	μA
		V _{DD} = +3.47 V dc, V _{IN} = 0 V		02		40	
Low level input current <u>7/</u>	I _{ILP}	V _{DD} = +3.6 V dc, V _{IN} = 0 V	1, 2, 3	01		150	μA
		V _{DD} = +3.47 V dc, V _{IN} = 0 V		02		150	
Low level input <u>8/ 10/</u> current	I _{ILPx4}	V _{DD} = +3.6 V dc, V _{IN} = 0 V	1, 2, 3	01		600	μA
		V _{DD} = +3.47 V dc, V _{IN} = 0 V		02		600	

See footnotes at end of table.

STANDARD MICROCIRCUIT DRAWING DEFENSE SUPPLY CENTER COLUMBUS COLUMBUS, OHIO 43216-5000	SIZE A		5962-97507
		REVISION LEVEL A	SHEET 7

TABLE I. Electrical performance characteristics - Continued.

Test	Symbol	Conditions <u>1/</u> unless otherwise specified	Group A subgroups	Device types	Limits		Unit
					Min	Max	
Three state <u>11/ 12/ 13/ 14/</u> leakage current	I _{OZH}	V _{DD} = +3.6 V dc, V _{IN} = V _{DD} MAX	1, 2, 3	01,02		10	μA
Three state <u>15/ 16/</u> leakage current	I _{OZHx4}	V _{DD} = +3.6 V dc, V _{IN} = V _{DD} MAX	1, 2, 3	01,02		40	μA
Three state leakage <u>11/ 17/</u> current	I _{OZL}	V _{DD} = +3.6 V dc, V _{IN} = 0 V	1, 2, 3	01,02		10	μA
Three state leakage <u>15/</u> current	I _{OZLx4}	V _{DD} = +3.6 V dc, V _{IN} = 0 V	1, 2, 3	01,02		40	μA
Three state leakage <u>17/</u> current	I _{OZHP}	V _{DD} = +3.6 V dc, V _{IN} = V _{DD} MAX	1, 2, 3	01,02		350	μA
Three state leakage <u>14/</u> current	I _{OZLC}	V _{DD} = +3.6 V dc, V _{IN} = 0 V	1, 2, 3	01,02		1.5	mA
Three state leakage <u>18/</u> current	I _{OZLA}	V _{DD} = +3.6 V dc, V _{IN} = 2 V	1, 2, 3	01,02		350	μA
Three state leakage <u>13/</u> current	I _{OZLAR}	V _{DD} = +3.6 V dc, V _{IN} = 0 V dc	1, 2, 3	01,02		4.2	mA
Three state leakage <u>12/</u> current	I _{OZLS}	V _{DD} = +3.6 V dc, V _{IN} = 0 V	1, 2, 3	01,02		150	μA
Three state leakage <u>16/</u> current	I _{OZLSx4}	V _{DD} = +3.6 V dc, V _{IN} = 0 V	1, 2, 3	01,02		600	μA
Supply current (internal) <u>19/</u>	I _{DDIN}	t _{CK} = 25 ns, V _{DD} = MAX	1, 2, 3	01,02		2.2	A

See footnotes at end of table.

STANDARD MICROCIRCUIT DRAWING DEFENSE SUPPLY CENTER COLUMBUS COLUMBUS, OHIO 43216-5000	SIZE A		5962-97507
		REVISION LEVEL A	SHEET 8

TABLE I. Electrical performance characteristics - Continued.

Test	Symbol	Conditions <u>1/</u> unless otherwise specified	Group A subgroups	Device types	Limits		Unit
					Min	Max	
Supply current (idle) <u>20/</u>	I _{DDIDLE}	V _{DD} = MAX	1, 2, 3	01		760	mA
				02		780	
Input capacitance	C _{IN}	f = 1 MHz, T _C = +25° C, V _{IN} = 2.5 V dc	---	01,02	<u>21/</u>		
Functional tests		See 4.3.1.c	7, 8	01,02			
Clock Input Timing Requirements							
CLKIN period	t _{CK}	See figure 4.	9, 10, 11	01	25	100	ns
				02	27	100	
CLKIN width low	t _{CKL}			01,02	9.5		
CLKIN width high	t _{CKH}				5		
CLKIN rise/fall (0.4 V - 2.0 V)	t _{CKRF}					3	
Reset Timing Requirements							
RESET pulse width low <u>23/</u>	t _{WRST}	See figure 4. <u>22/</u>	9, 10, 11	01,02	4t _{CK}		ns
RESET setup before <u>24/</u> CLKIN high	t _{SRST}				14+DT/2	t _{CK}	
Interrupts Timing Requirements							
IRQ2-0 setup before <u>25/</u> CLKIN high	t _{SIR}	See figure 4. <u>22/</u>	9, 10, 11	01,02	18+3DT/4		ns
IRQ2-0 hold before <u>25/</u> CLKIN high	t _{HIR}					11.5+3DT / 4	
IRQ2-0 width pulse <u>26/</u>	t _{IPW}				2+t _{CK}		

See footnotes at end of table.

STANDARD MICROCIRCUIT DRAWING DEFENSE SUPPLY CENTER COLUMBUS COLUMBUS, OHIO 43216-5000	SIZE A		5962-97507
		REVISION LEVEL A	SHEET 9

TABLE I. Electrical performance characteristics - Continued.

Test	Symbol	Conditions <u>1/</u> unless otherwise specified	Group A subgroups	Device types	Limits		Unit	
					Min	Max		
Timer Switching Characteristic								
CLKIN high to TIME _{EXP}	t _{DTEX}	See figure 4. <u>22/</u>	9, 10, 11	01,02		16	ns	
FLAGS Timing and Switching Requirements								
FLAG2-0 _{IN} setup before CLKIN high <u>27/</u>	t _{SFI}	See figure 4. <u>22/</u>	9, 10, 11	01,02	8+5DT/16		ns	
FLAG2-0 _{IN} hold after CLKIN high <u>27/</u>	t _{HFI}				0.5-5DT/16			
FLAG2-0 _{IN} delay after RD/ WR low <u>27/</u>	t _{DWRFI}					4.5+7DT/16		
FLAG2-0 _{IN} hold after RD/ WR deasserted <u>27/</u>	t _{HFIWR}				0.5			
FLAG2-0 _{OUT} delay after CLKIN high	t _{DFO}				01	17		
					02	17.5		
FLAG2-0 _{OUT} hold after CLKIN high	t _{HFO}				01,02	4		
CLKIN high to FLAG2-0 _{OUT} enable	t _{DFOE}					3		
CLKIN high to FLAG2-0 _{OUT} disable	t _{DFOD}			15				
Memory Read - Bus Master Timing and Switching Requirements								
Address delay to <u>29/ 30/</u> data valid	t _{DAD}	See figure 4. <u>22/ 28/</u>	9, 10, 11	01,02		17.5+DT+W	ns	
\overline{RD} low to data valid <u>29/</u>	t _{DRLD}					11.5+5DT/8+W		
Data hold from address <u>31/</u>	t _{HDA}				1			
Data hold from \overline{RD} high <u>31/</u>	t _{HDRH}				2.5			
ACK delay from <u>30/ 32/</u> address	t _{DAAK}					13.5+7DT/8+W		
ACK delay from \overline{RD} low <u>31/</u>	t _{DSAK}					7.5+DT/2+W		

See footnotes at end of table.

STANDARD MICROCIRCUIT DRAWING DEFENSE SUPPLY CENTER COLUMBUS COLUMBUS, OHIO 43216-5000	SIZE A		5962-97507
		REVISION LEVEL A	SHEET 10

TABLE I. Electrical performance characteristics - Continued.

Test	Symbol	Conditions <u>1/</u> unless otherwise specified	Group A subgroups	Device types	Limits		Unit
					Min	Max	
Memory Read - Bus Master Timing and Switching Requirements - Continued.							
Address hold after \overline{RD} high	t _{DRHA}	See figure 4. <u>22/ 28/</u>	9, 10, 11	01,02	-0.5 + H		ns
Address to \overline{RD} low <u>30/</u>	t _{DARL}				1.5+3DT/8		
\overline{RD} pulse width	t _{RW}				12.5+5DT/8 +W		
\overline{RD} high to \overline{WR} , \overline{RD} , DMAGx low	t _{RWR}				8+3DT/8 +HI		
Address setup before <u>30/</u> \overline{ADRCLK} high	t _{SADADC}				-0.5 + DT/4		

Memory Write - Bus Master Timing and Switching Requirements

ACK delay from <u>30/ 32/</u> address selects	t _{DAAK}	See figure 4. <u>22/ 28/</u>	9, 10, 11	01,02		13.5+7DT/8 +W	ns
ACK delay from \overline{WR} <u>32/</u> low	t _{DSAK}				7.5+DT/2 +W		
Address, selects to <u>30/</u> \overline{WR} deasserted	t _{DAWH}				16.5+15DT/16 +W		
Address, selects to <u>30/</u> \overline{WR} low	t _{DAWL}				2.5+3DT/8		
\overline{WR} pulse width	t _{WW}				12+9DT/16 +W		
Data setup before \overline{WR} high	t _{DDWH}				6.5+DT/2 +W		
Address hold after \overline{WR} deasserted	t _{DWHA}				0 + DT/16 +H		
Data disabled after <u>33/</u> \overline{WR} deasserted	t _{DATRWH}				0.5+DT/16 +H	6.5+DT/16 +H	
\overline{WR} high to \overline{WR} , \overline{RD} , DMAGx low	t _{WWR}				8 + 7DT/16 +H		
Data disable before \overline{WR} or \overline{RD} low	t _{DDWR}	4.5+3DT/8 +I					

See footnotes at end of table.

STANDARD MICROCIRCUIT DRAWING DEFENSE SUPPLY CENTER COLUMBUS COLUMBUS, OHIO 43216-5000	SIZE A		5962-97507
		REVISION LEVEL A	SHEET 11

TABLE I. Electrical performance characteristics - Continued.

Test	Symbol	Conditions ^{1/} unless otherwise specified	Group A subgroups	Device types	Limits		Unit
					Min	Max	
Memory Write - Bus Master Timing and Switching Requirements - Continued.							
$\overline{\text{WR}}$ low to data enabled	t _{WDE}	See figure 4. <u>22/ 28/</u>	9, 10, 11	01,02	-1.5+DT/16		ns
Address, selects to <u>30/</u> ADRCLK high	t _{SADADC}				-0.5 + DT/4		
Synchronous Read/Write - Bus Master Timing and Switching Requirements							
Data setup before CLKIN	t _{SSDATI}	See figure 4. <u>22/ 28/</u>	9, 10, 11	01,02	3 + DT/8		ns
Data hold after CLKIN	t _{HSDATI}				4 - DT/8		
ACK delay after <u>30/ 32/</u> address, <u>MSx,</u> <u>SW, BMS</u>	t _{DAAK}					13.5+7DT/8 +W	
ACK setup before CLKIN <u>32/</u>	t _{SACKC}				6.5 + DT/4		
ACK hold after CLKIN	t _{HACKC}				-0.5 - DT/4		
Address, <u>MSx,BMS,SW, 30/</u> delay after CLKIN	t _{DADRO}					8 - DT/8	
Address, <u>MSx,BMS,SW, 30/</u> hold after CLKIN	t _{HADRO}				-1 - DT/8		
PAGE delay after CLKIN	t _{DPGC}				9 + DT/8	17 + DT/8	
$\overline{\text{RD}}$ high delay after CLKIN	t _{DRDO}				-2 - DT/8	5 - DT/8	
$\overline{\text{WR}}$ high delay after CLKIN	t _{DWRO}				-3 - 3DT/16	5 - 3DT/16	
$\overline{\text{RD}}$ / $\overline{\text{WR}}$ low delay after CLKIN	t _{DRWL}				8 + DT/4	13.5 + DT/4	
Data delay after CLKIN	t _{SDDATO}					01 20.25 + 5DT /16	
						02 20.5 + 5DT /16	

See footnotes at end of table.

STANDARD MICROCIRCUIT DRAWING DEFENSE SUPPLY CENTER COLUMBUS COLUMBUS, OHIO 43216-5000	SIZE A		5962-97507
		REVISION LEVEL A	SHEET 12

TABLE I. Electrical performance characteristics - Continued.

Test	Symbol	Conditions <u>1/</u> unless otherwise specified	Group A subgroups	Device types	Limits		Unit	
					Min	Max		
Synchronous Read/Write - Bus Master Timing and Switching Requirements - Continued.								
Data disable after CLKIN <u>33/</u>	t _{DATTR}	See figure 4. <u>22/</u> <u>28/</u>	9, 10, 11	01,02	0 - DT/8	8 - DT/8	ns	
ADRCLK delay after CLKIN	t _{DADCK}				4 + DT/8	11 + DT/8		
ADRCLK period	t _{ADRCK}				t _{CK}			
ADRCLK width high	t _{ADRCKH}				(t _{CK} /2 - 2)			
ADRCLK width low	t _{ADRCKL}				(t _{CK} /2 - 2)			
Synchronous Read/Write - Bus Slave Timing and Switching Requirements								
Address, \overline{SW} setup before CLKIN	t _{SADRI}	See figure 4. <u>22/</u> <u>28/</u>	9, 10, 11	01,02	15.5 + DT/2		ns	
Address, \overline{SW} hold before CLKIN	t _{HADRI}					4.5 + DT/2		
\overline{RD} / \overline{WR} low setup before CLKIN <u>34/</u>	t _{SRWLI}					9.5+5DT/16		
\overline{RD} / \overline{WR} low hold after CLKIN	t _{HRWLI}				01	-3.25 - 5DT / 16		8 + 7DT/16
					02	-3 - 5DT / 16		8 + 7DT/16
\overline{RD} / \overline{WR} pulse high	t _{RWHPI}				01,02	3		
Data setup before \overline{WR} high	t _{SDATWH}					5.5		
Data hold after WR high	t _{HDATWH}					1.5		
Data delay after CLKIN	t _{SDDATO}				01			20.25 +5DT /16
					02			20.5+5DT/16
Data disable after CLKIN <u>33/</u>	t _{DATTR}				01,02	0 - DT/8		8 - DT/8
ACK delay after address <u>35/</u> \overline{SW}	t _{DACKAD}							10
ACK disable after CLKIN <u>35/</u>	t _{ACKTR}					-1 - DT/8		7 - DT/8

See footnotes at end of table.

STANDARD MICROCIRCUIT DRAWING DEFENSE SUPPLY CENTER COLUMBUS COLUMBUS, OHIO 43216-5000	SIZE A		5962-97507
		REVISION LEVEL A	SHEET 13

TABLE I. Electrical performance characteristics - Continued.

Test	Symbol	Conditions <u>1/</u> unless otherwise specified	Group A subgroups	Device types	Limits		Unit
					Min	Max	
Multiprocessor Bus Request and Host Request Timing and Switching Requirements							
$\overline{\text{HBG}}$ low to $\overline{\text{RD}}/\overline{\text{WR}}/\overline{\text{CS}}$, valid	t_{HBGRCSV}	See figure 4. <u>22/ 28/</u>	9, 10, 11	01,02		19.5+5DT/4	ns
$\overline{\text{HBR}}$ setup before <u>37/</u> CLKIN	t_{SHBRI}				20+3DT/4		
$\overline{\text{HBR}}$ hold before <u>37/</u> CLKIN	t_{HHBRI}				13.5+3DT / 4		
$\overline{\text{HBG}}$ setup before CLKIN	t_{SHBGI}				13+DT/2		
$\overline{\text{HBG}}$ hold before CLKIN high	t_{HHBGI}				01 02	5.5+DT/2 5.25+DT/2	
$\overline{\text{BRx}}$, CPA setup before <u>38/</u> CLKIN high	t_{SBRI}			01,02	13+DT/2		
$\overline{\text{BRx}}$, CPA hold before CLKIN high	t_{HBRI}				5.5+DT/2		
RPBA setup before CLKIN	t_{SRPBAI}				21+3DT/4		
RPBA hold before CLKIN	t_{HRPBAI}				11.5+3DT / 4		
$\overline{\text{HBG}}$ delay after CLKIN	t_{DHBGO}				8 - DT/8		
$\overline{\text{HBG}}$ hold after CLKIN	t_{HHBGO}				-2 - DT/8		
$\overline{\text{BRx}}$ delay after CLKIN	t_{DBRO}				8 - DT/8		
$\overline{\text{BRx}}$ hold after CLKIN	t_{HBRO}				-2 - DT/8		
CPA low delay after CLKIN	t_{DCPAO}				9.5 - DT/8		
CPA disable after CLKIN	t_{TRCPA}				-2 - DT/8	5.5 - DT/8	

See footnotes at end of table.

STANDARD MICROCIRCUIT DRAWING DEFENSE SUPPLY CENTER COLUMBUS COLUMBUS, OHIO 43216-5000	SIZE A		5962-97507
		REVISION LEVEL A	SHEET 14

TABLE I. Electrical performance characteristics - Continued.

Test	Symbol	Conditions ^{1/} unless otherwise specified	Group A subgroups	Device types	Limits		Unit
					Min	Max	
Multiprocessor Bus Request and Host Request Timing and Switching Requirements - Continued.							
REDY (O/D) or (A/D) <u>39/</u> low from CS and HBR low	t _{DRDYCS}	See figure 4. <u>22/ 28/</u>	9, 10, 11	01,02		12	ns
REDY (O/D) disable or <u>39/</u> REDY (A/D) high from HBG	t _{TRDYHG}				40+27DT/16		
REDY (A/D) disable from <u>39/</u> CS or HBR high	t _{ARDYTR}				11		
Asynchronous Read Cycle Timing and Switching Requirements (Host to Device type 01)							
Address setup/ $\overline{\text{CS}}$ low <u>40/</u> before RD low	t _{SADRDL}	See figure 4. <u>22/ 28/</u>	9, 10, 11	01,02	0.5		ns
Address hold/ $\overline{\text{CS}}$ hold low after RD	t _{HADRDL}				0.5		
$\overline{\text{RD}}/\overline{\text{WR}}$ high width	t _{WRWH}				6		
$\overline{\text{RD}}$ high delay after REDY (O/D) disable	t _{DRDHRDY}				0.5		
$\overline{\text{RD}}$ high delay after REDY (A/D) disable	t _{DRDHRDY}				0.5		
Data valid before REDY disable from low	t _{SDATRDY}				1.5		
REDY (O/D) or (A/D) low delay after RD low	t _{DRDYRDL}				13.5		
REDY (O/D) or (A/D) low pulse width for read	t _{RDYPRD}				45 + DT		
Data disable after $\overline{\text{RD}}$ high	t _{HDARWH}				1.5	9.5	
Asynchronous Write Cycle Timing and Switching Requirements (Host to Device type 01)							
$\overline{\text{CS}}$ low setup before $\overline{\text{WR}}$ low	t _{SCSWRL}	See figure 4. <u>22/ 28/</u>	9, 10, 11	01,02	0.5		ns
$\overline{\text{CS}}$ low hold after $\overline{\text{WR}}$ high	t _{HCSWRH}				0.5		
Address setup before $\overline{\text{WR}}$ high	t _{SADWRH}				5.5		
See footnotes at end of table.							
STANDARD MICROCIRCUIT DRAWING DEFENSE SUPPLY CENTER COLUMBUS COLUMBUS, OHIO 43216-5000				SIZE A	5962-97507		
				REVISION LEVEL A			

TABLE I. Electrical performance characteristics - Continued.

Test	Symbol	Conditions <u>1/</u> unless otherwise specified	Group A subgroups	Device types	Limits		Unit
					Min	Max	
Asynchronous Write Cycle Timing and Switching Requirements (Host to Device type 01) - Continued.							
Address hold after \overline{WR} high	t_{HADWRH}	See figure 4. <u>22/ 28/</u>	9, 10, 11	01,02	2.5		ns
\overline{WR} low width	t_{WWRL}				7		
$\overline{RD}/\overline{WR}$ high width	t_{WRWH}				6		
\overline{WR} high delay after REDY (O/D) or (A/D) disable	$t_{DWRHRDY}$				0.5		
Data setup before \overline{WR} high	t_{SDATWH}				5.5		
Data hold after \overline{WR} high	t_{HDATWH}				1.5		
REDY (O/D) or (A/D) low delay after WR/CS low	$t_{DRDYWRL}$					13.5	
REDY (O/D) or (A/D) low pulse width for write	t_{RDYPWR}				15		
REDY (O/D) or (A/D) disable to CLKIN	t_{SRDYCK}					0+7DT/16	
Three State Timing - (Bus Master, Bus Slave, HBR, SBTS) Timing and Switching Requirements							
\overline{SBTS} setup before CLKIN	t_{STSCK}	See figure 4. <u>22/ 28/</u>	9, 10, 11	01,02	12 + DT/2		ns
\overline{SBTS} hold before CLKIN	t_{HTSCK}					5.5 + DT/2	
Address/select enable after CLKIN	t_{MIENA}				-1.25 - DT / 8		
Strobes enable after <u>41/</u> CLKIN	t_{MIENS}				-1.5 - DT/8		
\overline{HBG} enable after CLKIN	t_{MIENHG}				-1.5 - DT/8		
Address select/disable after CLKIN	t_{MITRA}					1.25 - DT/4	

See footnotes at end of table.

STANDARD MICROCIRCUIT DRAWING DEFENSE SUPPLY CENTER COLUMBUS COLUMBUS, OHIO 43216-5000	SIZE A		5962-97507
		REVISION LEVEL A	SHEET 16

TABLE I. Electrical performance characteristics - Continued.

Test	Symbol	Conditions <u>1/</u> unless otherwise specified	Group A subgroups	Device types	Limits		Unit
					Min	Max	
Three State Timing - (Bus Master, Bus Slave, HBR, SBTS) Timing and Switching Requirements - Continued.							
Strobes disable after <u>41/</u> CLKIN	tMITRS	See figure 4. <u>22/ 28/</u>	9, 10, 11	01,02		2.5 - DT/4	ns
HBG disable after CLKIN	tMITRHG					3.0 - DT/4	
Data enable after CLKIN <u>42/</u>	tDATEN				9 + 5DT/16		
Data disable after CLKIN <u>42/</u>	tDATTR				0 - DT/8	8 - DT/8	
ACK enable after CLKIN <u>42/</u>	tACKEN				7.5 + DT/4		
ACK disable after CLKIN <u>42/</u>	tACKTR				-1 - DT/8	7 - DT/8	
ADRCLK enable after <u>42/</u> CLKIN	tADCEN				-2 - DT/8		
ADRCLK disable after <u>42/</u> CLKIN	tADCTR				01	9 - DT/4	
					02	9.25 - DT/4	
Memory interface <u>43/</u> disable before HBG low	tMTRHBG						
Memory interface <u>43/</u> enable after HBG low	tMENHBG				18.5 + DT		

DMA Handshake Timing and Switching Requirements

DMARx low setup <u>44/</u> before CLKIN	tSDRLC	See figure 4. <u>22/ 28/</u>	9, 10, 11	01,02	5		ns
DMARx high setup <u>44/</u> before CLKIN	tSDRHC				5		
DMARx width low (nonsynchronous)	tWDR				6		
Data setup after <u>45/</u> DMAGx low	tSDATDGL					9.5 + 5DT/8	
Data hold after DMAGx high	tHDATIDG					2.5	

See footnotes at end of table.

STANDARD MICROCIRCUIT DRAWING DEFENSE SUPPLY CENTER COLUMBUS COLUMBUS, OHIO 43216-5000	SIZE A		5962-97507
		REVISION LEVEL A	SHEET 17

TABLE I. Electrical performance characteristics - Continued.

Test	Symbol	Conditions <u>1/</u> unless otherwise specified	Group A subgroups	Device types	Limits		Unit	
					Min	Max		
DMA Handshake Timing and Switching Requirements - Continued.								
Data valid after <u>45/</u> $\overline{\text{DMAGx}}$ high	t_{DATDRH}	See figure 4. <u>22/</u> <u>28/</u>	9, 10, 11	01,02		15.5+7DT/8	ns	
$\overline{\text{DMAGx}}$ low edge to low edge	t_{DMARLL}				23 + 7DT/8			
$\overline{\text{DMAGx}}$ width high	t_{DMARH}				6			
$\overline{\text{DMAGx}}$ low delay after CLKIN	t_{DDGL}				9 + DT/4	16 + DT/4		
$\overline{\text{DMAGx}}$ high width	t_{WDGH}				6 + 3DT/8			
$\overline{\text{DMAGx}}$ low width	t_{WDGL}				12 + 5DT/8			
$\overline{\text{DMAGx}}$ high delay after CLKIN	t_{HDGC}				-2 - DT/8	7 - DT/8		
Data valid before <u>46/</u> $\overline{\text{DMAGx}}$ high	t_{VDATDGH}				7.5+9DT/16			
Data disable after <u>33/</u> $\overline{\text{DMAGx}}$ high	t_{DATRDGH}				-0.5	7.5		
$\overline{\text{WR}}$ low before $\overline{\text{DMAGx}}$ low	t_{DGWRF}				-0.5	2.5		
$\overline{\text{DMAGx}}$ low before $\overline{\text{WR}}$ high	t_{DGWRH}				9.5+5DT/8 +W			
$\overline{\text{WR}}$ high before $\overline{\text{DMAGx}}$ high	t_{DGWRR}				0.5 + DT/16	3.5 + DT/16		
$\overline{\text{RD}}$ low before $\overline{\text{DMAGx}}$ low	t_{DGRDL}				01	-0.5		2.5
					02	-1		2.5
$\overline{\text{RD}}$ low before $\overline{\text{DMAGx}}$ high	t_{DRDGH}				01,02	10.5+9DT /16+W		
$\overline{\text{RD}}$ high before $\overline{\text{DMAGx}}$ high	t_{DGRDR}					-0.5		3.5
$\overline{\text{DMAGx}}$ high to $\overline{\text{WR}}$, $\overline{\text{RD}}$, $\overline{\text{DMAG}}$ low	t_{DGWR}		4.5+3DT/8 +HI					

See footnotes at end of table.

STANDARD MICROCIRCUIT DRAWING DEFENSE SUPPLY CENTER COLUMBUS COLUMBUS, OHIO 43216-5000	SIZE A		5962-97507
		REVISION LEVEL A	SHEET 18

TABLE I. Electrical performance characteristics - Continued.

Test	Symbol	Conditions ^{1/} unless otherwise specified	Group A subgroups	Device types	Limits		Unit	
					Min	Max		
DMA Handshake Timing and Switching Requirements - Continued.								
Address/select valid to DMAGx high	tDADGH	See figure 4. <u>22/ 28/</u>	9, 10, 11	01,02	16 + DT		ns	
Address/select hold after DMAGx high	tDDGHA				-1			
Link Ports: 1 times Clock Speed Operation, Receive Timing and Switching Requirements								
Data setup before LCLK low	tSLDCL	See figure 4. <u>22/ 28/</u>	9, 10, 11	01,02	3		ns	
Data hold after LCLK low	tHLDCL				3			
LCLK period (1 x operation)	tLCLKIW				tCK			
LCLK width low	tLCLKRWL				6			
LCLK width high	tLCLKRWH				5			
LACK high delay after CLKIN high	tDLAHC				01	18 + DT/2		30+DT/2
					02	18 + DT/2		30.5+DT/2
LACK low delay after ^{47/} CLKIN high	tDLALC				01,02	-3		13.5
LACK enable from CLKIN	tENDLK					5 + DT/2		
LACK disable from CLKIN	tTDLK							21 + DT/2
Link Ports: 1 times Clock Speed Operation, Transmit Timing and Switching Requirements								
LACK setup before LCLK high	tSLACH	See figure 4. <u>22/ 28/</u>	9, 10, 11	01	20		ns	
					02	20.5		
LACK hold after LCLK high	tHLACH			01,02	-7			
LCLK delay after CLKIN (1 x operation)	tDLCLK			01		17.75		
				02		18		
Data delay after LCLK high	tDLDCH			01,02		3		

See footnotes at end of table.

STANDARD MICROCIRCUIT DRAWING DEFENSE SUPPLY CENTER COLUMBUS COLUMBUS, OHIO 43216-5000	SIZE A		5962-97507
		REVISION LEVEL A	SHEET 19

TABLE I. Electrical performance characteristics - Continued.

Test	Symbol	Conditions ^{1/} unless otherwise specified	Group A subgroups	Device types	Limits		Unit
					Min	Max	
Link Ports: 1 times Clock Speed Operation, Transmit Timing and Switching Requirements - Continued.							
Data hold after LCLK high	t _{HLDC}	See figure 4. <u>22/ 28/</u>	9, 10, 11	01,02	-3		ns
LCLK width low	t _{LCLKTWL}				(t _{CK/2}) - 1	(t _{CK/2}) + 2.25	
LCLK width high	t _{LCLKTWH}				(t _{CK/2}) - 2.25	(t _{CK/2}) + 1	
LCLK low delay after LACK high	t _{DLACK}			01	(t _{CK/2}) + 8	(3*t _{CK/2}) + 19	
				02	(t _{CK/2}) + 8	(3*t _{CK/2}) + 19.5	
LCLK enable after CLKIN	t _{ENDLK}			01,02	5 + DT/2		
LCLK disable after CLKIN	t _{TDLK}		21 + DT/2				
Link Port Service Request Interrupts: 1 times and 2 times Speed Operation Timing Requirements							
LACK/LCLK setup before CLKIN low ^{48/}	t _{SLCK}	See figure 4. <u>22/ 28/</u>	9, 10, 11	01	10		ns
				02	10.25		
LACK/LCLK hold after ^{48/} CLKIN low	t _{HLCK}			01,02	2.5		
Link Ports: 2 times Speed Operation, Receive Timing and Switching Requirements							
Data setup before LCLK low	t _{SLDCL}	See figure 4. <u>22/ 28/</u>	9, 10, 11	01,02	2.25		ns
Data hold after LCLK low	t _{HLDC}				2.25		
LCLK period (2 x operation)	t _{LCLKIW}				t _{CK/2}		

See footnotes at end of table.

STANDARD MICROCIRCUIT DRAWING DEFENSE SUPPLY CENTER COLUMBUS COLUMBUS, OHIO 43216-5000	SIZE A		5962-97507
		REVISION LEVEL A	SHEET 20

TABLE I. Electrical performance characteristics - Continued.

Test	Symbol	Conditions <u>1/</u> unless otherwise specified	Group A subgroups	Device types	Limits		Unit
					Min	Max	
Link Ports: 2 times Speed Operation, Receive Timing and Switching Requirements - Continued.							
LCLK width low	t _{LCLKRWL}			01	5.25		ns
				02	5.5		
LCLK width high	t _{LCLKRWH}			01,02	4.5		
LACK high delay after CLKIN high	t _{DLAHC}			01	18 + DT/2	30.5+DT/2	
				02	18 + DT/2	31+DT/2	
LACK low delay after <u>47/</u> CLKIN high	t _{DLALC}			01	6	19	
				02	6	19.5	

Link Ports: 2 times Speed Operation, Transmit Timing and Switching Requirements							
LACK setup before LCLK high	t _{SLACH}	See figure 4. <u>22/ 28/</u>	9, 10, 11	01	19		ns
				02	21.5		
LACK hold after LCLK high	t _{HLACH}			01,02	-6.5		
LCLK delay after CLKIN (2 x operation)	t _{DLCLK}					9	
Data delay after LCLK high	t _{DLDCH}			01		2.75	
				02		3	
Data hold after LCLK high	t _{HLDCH}			01,02	-2		
LCLK width low	t _{LCLKTWL}				(t _{CK} /4) - 0.75	(t _{CK} /4) + 1.5	
LCLK width high	t _{LCLKTWH}				(t _{CK} /4) - 1.5	(t _{CK} /4) + 1	
LCLK low delay after LACK high	t _{DLACLK}				(t _{CK} /4) + 9	(3* t _{CK} /4) +17	

See footnotes at end of table.

STANDARD MICROCIRCUIT DRAWING DEFENSE SUPPLY CENTER COLUMBUS COLUMBUS, OHIO 43216-5000	SIZE A		5962-97507
		REVISION LEVEL A	SHEET 21

TABLE I. Electrical performance characteristics - Continued.

Test	Symbol	Conditions ^{1/} unless otherwise specified	Group A subgroups	Device types	Limits		Unit	
					Min	Max		
Serial Ports: External Clock Timing Requirements								
TFS/RFS setup before ^{49/} TCLK/RCLK	t _{SFSE}	See figure 4. ^{22/} ^{28/}	9, 10, 11	01,02	4		ns	
TFS/RFS hold after ^{49/} ^{50/} TCLK/RCLK	t _{HFSE}				01	4.5		
					02	5.25		
Receive data setup ^{49/} before RCLK	t _{SDRE}				01,02	2		
Receive data hold ^{49/} after RCLK	t _{HDRE}				01	4.5		
					02	5		
TCLK/RCLK width	t _{SCLKW}				01,02	9.5		
TCLK/RCLK period	t _{SCLK}		t _{CK}					

Serial Ports: Internal Clock Timing Requirements								
TFS setup before TCLK; ^{49/} RFS setup before RCLK	t _{SFSI}	See figure 4. ^{22/} ^{28/}	9, 10, 11	01,02	9		ns	
TFS/RFS hold after ^{49/} ^{50/} TCLK/RCLK	t _{HFSI}				1			
Receive data setup ^{49/} before RCLK	t _{SDRI}				4			
Receive data hold ^{49/} after RCLK	t _{HDRI}				3			

Serial Ports: External or Internal Clock Switching Requirements							
RFS delay after RCLK ^{51/} (internally generated RFS)	t _{DFSE}	See figure 4. ^{22/} ^{28/}	9, 10, 11	01,02		14	ns
RFS hold after RCLK ^{51/} (internally generated RFS)	t _{HOFSE}				3		

See footnotes at end of table.

STANDARD MICROCIRCUIT DRAWING DEFENSE SUPPLY CENTER COLUMBUS COLUMBUS, OHIO 43216-5000	SIZE A		5962-97507
		REVISION LEVEL A	SHEET 22

TABLE I. Electrical performance characteristics - Continued.

Test	Symbol	Conditions ^{1/} unless otherwise specified	Group A subgroups	Device types	Limits		Unit
					Min	Max	
Serial Ports: External Clock Switching Requirements							
TFS delay after TCLK ^{51/} (internally generated TFS)	t _{DFSE}	See figure 4. ^{22/} ^{28/}	9, 10, 11	01,02		14	ns
TFS hold after TCLK ^{51/} (internally generated TFS)	t _{HOFSE}				3		
Transmit data delay ^{51/} after TCLK	t _{DDTE}			01	17		
				02	17.25		
Transmit data hold ^{51/} after TCLK	t _{HDTE}			01,02	5		
Serial Ports: Internal Clock Switching Requirements							
TFS delay after TCLK ^{51/} (internally generated TFS)	t _{DFSI}	See figure 4. ^{22/} ^{28/}	9, 10, 11	01,02		5	ns
TFS hold after TCLK ^{51/} (internally generated TFS)	t _{HOFSI}				-1.5		
Transmit data delay ^{51/} after TCLK	t _{DDTI}			01	8		
				02	8.25		
Transmit data hold ^{51/} after TCLK	t _{HDTI}			01,02	0		
TCLK/RCLK width	t _{SCLKIW}		(SCLK/2)-2.5	(SCLK/2)+2.5			
Serial Ports: Enable and Three State Switching Requirements							
Data enable from ^{51/} external TCLK	t _{DDTEN}	See figure 4. ^{22/} ^{28/}	9, 10, 11	01,02	4.0		ns
Data disable from ^{51/} external TCLK	t _{DDTTE}					11.5	
Data enable from ^{51/} internal TCLK	t _{DDTIN}				0		
Data disable from ^{51/} internal TCLK	t _{DDTTI}					3	
TCLK/RCLK delay from CLKIN	t _{DCLK}				01	23 + 3DT/8	
				02	23.25+3DT/8		
SPORT disable after CLKIN	t _{DPTR}		01,02		18		

See footnotes at end of table.

STANDARD MICROCIRCUIT DRAWING DEFENSE SUPPLY CENTER COLUMBUS COLUMBUS, OHIO 43216-5000	SIZE A		5962-97507
		REVISION LEVEL A	SHEET 23

TABLE I. Electrical performance characteristics - Continued.

Test	Symbol	Conditions ^{1/} unless otherwise specified	Group A subgroups	Device types	Limits		Unit
					Min	Max	
Serial Ports: Gated SCLK with External TFS (Mesh Multiprocessing)							
TFS setup before ^{52/} CLKIN	t _{STF} SCK	See figure 4. ^{22/}	9, 10, 11	01,02	5		ns
TFS hold after CLKIN ^{52/}	t _{HT} FSCk				t _{CK} /2		
Serial Ports: External Late Frame Sync Switching Requirements							
Data delay from late ^{53/} external TFS or RFS with MCE = 1, MFD = 0	t _{DDTL} FSE	See figure 4. ^{22/ 28/}	9, 10, 11	01		13.8	ns
					02	17.5	
Data enable from late ^{53/} FS or MCE = 1, MFD = 0	t _{DDTE} NFS			01,02	3.5		
JTAG Test Access Port Emulation Timing and Switching Requirements							
TCK period	t _{TCK}	See figure 4. ^{22/}	9, 10, 11	01,02	t _{CK}		ns
TDI, TMS, setup before TCK high	t _{STAP}				5		
TDI, TMS, hold after TCK high	t _{HTAP}				6		
Systems inputs setup ^{54/} before TCK low	t _{SSYS}				8		
Systems inputs hold ^{54/} after TCK low	t _{HSYS}				19		
JTAG Test Access Port Emulation Timing and Switching Requirements - Continued.							
TRST pulse width	t _{TRSTW}	See figure 4. ^{22/}	9, 10, 11	01,02	4t _{CK}		ns
TD0 delay from TCK low before TCK low	t _{DTDO}					13	
Systems outputs delay ^{55/} after TCK low	t _{DSYS}					20	

- ^{1/} Device type 01, -40°C ≤ T_C ≤ +100°C and +3.15 V dc ≤ V_{DD} ≤ +3.6 V dc, unless otherwise specified.
Device type 02, -55°C ≤ T_C ≤ +125°C and +3.13 V dc ≤ V_{DD} ≤ +3.47 V dc, unless otherwise specified.
- ^{2/} Applies to input and bidirectional pins: DATA47-0, ADDR31-0, RD, WR, SW, ACK, SBTS, IRQy2-0, FLAGy0, FLAG1, FLAGy2, HBG, CSy, DMAR1, DMAR2, BR6-1, RPBA, CPAY, TFS0, TFSy1, RFS0, RFSy1, LyxDAT3-0, LyxCLK, LyxACK, EBOOTA, LBOOTA, EBOOTBCD, LBOOTBCD, BMSA, BMSBCD, TMS, TDI, TCK, HBR, DR0, DRy1, TCLK0, TCLKy1, RCLK0, RCLKy1. For the group of signals LyxDAT3-0, LyxCLK, and LyxACK, only Link Port 4 signals (Ly4DT3-0, Ly4CLK, and Ly4ACK) from each of the processors are tested at the module level. Link Ports 1, 2, and 3 are not DC tested at the module level, but are tested at the die level prior to assembly.
- ^{3/} Applies to input pins: CLKIN, RESET, TRST.

STANDARD MICROCIRCUIT DRAWING DEFENSE SUPPLY CENTER COLUMBUS COLUMBUS, OHIO 43216-5000	SIZE A		5962-97507
		REVISION LEVEL A	SHEET 24

TABLE I. Electrical performance characteristics - Continued.

- 4/ Applies to output and bidirectional pins: DATA47-0, ADDR31-0, MS3-0, \overline{RD} , \overline{WR} , \overline{PAGE} , ADRCLK, SW, \overline{ACK} , FLAGy0, FLAG1, FLAGy2, TIMEXPy, HBG, REDY, DMAG1, DMAG2, BR6-1, CPAY, DTO, DTy1, TCLK0, TCLKy1, RCLK0, RCLKy1, TFS0, TFSy1, RFS0, RFSy1, LyxDAT3-0, LyxCLK, LyxACK, BMSA, BMSBCD, TDO, EMU. For the group of signals LyxDAT3-0, LyxCLK, and LyxACK, only Link Port 4 signals (Ly4DAT3-0, Ly4CLK, and Ly4ACK) from each of the processors are tested at the module level. Link Ports 1, 2, and 3 are not DC tested at the module level, but are tested at the die level prior to assembly.
- 5/ See "output drive currents" for typical drive current capabilities.
- 6/ Applies to input pins: IRQy2-0, CSy, EBOOTA, LBOOTA.
- 7/ Applies to input pins with internal pull-ups: DRy1, TDI.
- 8/ Individual signals tested to limits of $I_{IH} = 10 \mu A$ and $I_{ILP} = 150 \mu A$ at die level prior to assembly. At the module level, all eight DR0 and DRy1 inputs connected together are tested to limits of $I_{IH} = 80 \mu A$ and $I_{ILP} = 1200 \mu A$.
- 9/ Applies to bussed input pins: ACK, SBTS, HBR, DMAR1, DMAR2, RPBA, EBOOTBCD, LBOOTBCD, CLKIN, RESET, TCK.
- 10/ Applies to bussed input pins with internal pull-ups: DR0, \overline{TRST} , TMS.
- 11/ Applies to three stable pins and bidirectional pins; FLAGy0, FLAGy2, BMSA, TD0, TFSy1, RFSy1. TFSy1 and RFSy1 are tested individually to the limits of $I_{OZH} = 10 \mu A$ and $I_{OZL} = 10 \mu A$ at die level. At the module level, eight pins connected together are tested to limits of $I_{OZH} = 80 \mu A$ and $I_{OZL} = 80 \mu A$.
- 12/ Applies to three stable pins with internal pull-ups: DTy1, TCLKy1, RCLKy1. Individual signals tested to limit of $I_{OZH} = 10 \mu A$ and $I_{OZLS} = 150 \mu A$ at die level. At the module level, eight serial port pins connected together are tested to limits of $I_{OZH} = 80 \mu A$ and $I_{OZLS} = 1200 \mu A$.
- 13/ Applies to ACK pin when pulled up. (Note that ACK is pulled up internally with a 2 k Ω resistor during reset in a multiprocessor system, when ID2-0 = 001 and another single processor is not requesting bus mastership.)
- 14/ Applies to CPAY pin.
- 15/ Applies to bussed three stable pins and bidirectional pins: DATA47-0, ADDR31-0, MS3-0, \overline{RD} , \overline{WR} , PAGE, ADRCLK, SW, ACK, FLAG1, HBG, REDY, DMAG1, DMAG2, BMSBCD, TFS0, RFS0, BR5, BR6, EMU. (Note that ACK is pulled up internally with a 2 k Ω resistor during reset in a multiprocessor system, when ID2-0 = 001 and another single processor is not requesting bus mastership.) HBG and EMU are not tested for leakage current. At the die level, component pins that make up TFS0 and RFS0 are tested to limits of $I_{OZH} = 10 \mu A$ and $I_{OZL} = 10 \mu A$. At the module level, eight pins connected together are tested to limits of $I_{OZH} = 80 \mu A$ and $I_{OZL} = 80 \mu A$.
- 16/ Applies to bussed three stable pins with internal pull-ups: DT0, TCLK0, RCLK0. At the module level, all eight DR0 and DRy1 inputs connected together are tested to limits of $I_{OZH} = 80 \mu A$ and $I_{OZLS} = 1200 \mu A$.
- 17/ Applies to three stable pins with internal pull-downs: LyxDAT3-0, LyxCLK, LyxACK. Only Link Port 4 signals (Ly4DAT3-0, Ly4CLK, and Ly4ACK) from each of the processors are tested at the module level. Link Ports 1, 2, and 3 are not DC tested at the module level, but are tested at the die level prior to assembly.
- 18/ Applies to ACK pin when keeper latch enabled.
- 19/ Applies to V_{DD} pins. Conditions of operation: each processor executing radix-2 FFT butterfly with instruction in cache, one data operand fetched from cache each internal memory block, and one DMA transfer occurring from/to internal memory at $t_{CK} = 25$ ns for device type 01 and at $t_{CK} = 27$ ns for device type 02.
- 20/ Applies to V_{DD} pins. Idle denotes like device type state during execution of IDLE instruction.
- 21/ Nominal value of 15 pF derived through RC measurement.
- 22/ Timing test limits are target limits for the module, based on calculated predictions only. The module is 100% production tested, and the test limits are guaranteed by design/analysis, and characterization testing (at $T_A = 25^\circ C$) of the individual discrete microcontrollers. (Device type 01: the limits shown are based on a CLKIN frequency of 40 MHz. DT is the difference between the actual CLKIN period and a CLKIN period of 25 ns: $DT = t_{CK} - 25$ ns.) (Device type 02: the limits shown are based on a CLKIN frequency of 37 MHz. DT is the difference between the actual CLKIN period and a CLKIN period of 27 ns: $DT = t_{CK} - 27$ ns.) Link and serial ports: all are 100% tested at die level, serial ports are 100% AC tested at module level, only Link Port 4 from each processor is AC tested at module level, then link and serial ports are DC tested at module level.
- 23/ Applies after the power-up sequence is complete. At power-up, the processor's internal phase-locked loop requires no more than 2000 CLKIN cycles while RESET is low, assuming stable V_{DD} and CLKIN (not including start-up time of external oscillator).
- 24/ Only required if multiple microcontrollers must come out of reset synchronous to CLKIN with program counters (PC) equal (i. e. for a SIMD system). Not required for multiple microcontrollers communicating over the shared bus (through the external port), because the bus arbitration logic synchronizes it self automatically after reset.
- 25/ Only required for IRQx recognition in the following cycle.
- 26/ Applies only if t_{SIR} and t_{HIR} requirements are not met.
- 27/ Flag inputs meeting these setup and hold times will affect conditional instructions in the following instruction cycle.

STANDARD MICROCIRCUIT DRAWING DEFENSE SUPPLY CENTER COLUMBUS COLUMBUS, OHIO 43216-5000	SIZE A		5962-97507
		REVISION LEVEL A	SHEET 25

TABLE 1. Electrical performance characteristics - Continued.

- 28/ W = (number of wait states specified in WAIT register) times t_{CK} . $HI = t_{CK}$ (if an address hold cycle or bus idle cycle occurs, as specified in WAIT register; otherwise $H = 0$). $H = t_{CK}$ (if an address hold cycle occurs as specified in WAIT register; otherwise $H = 0$). $I = t_{CK}$ (if bus idle cycle occurs, as specified in WAIT register; otherwise $I = 0$).
- 29/ Data delay/setup: User must meet t_{DAD} or t_{DRLD} or synchronous specification t_{SSDATI} .
- 30/ For MSx, SW, and BMS, the falling edge is referenced.
- 31/ Data hold: User must meet t_{HDA} or t_{HDRH} or synchronous specification t_{HDATI} . To determine system hold time, the data output hold time in a particular system, first calculate $t_{DECAY} = C_L \Delta V / I_L$. Choose ΔV to be the difference between the microcontroller's output voltage and the input threshold for the device requiring the hold. Typical ΔV is 0.4 volt. C_L is the total bus capacitance (per data line), and I_L is the total leakage or three state current (per data line). The hold time will be t_{DECAY} plus the minimum disable time (i. e. t_{HDWD} for the write cycle).
- 32/ ACK delay/setup: User must meet t_{DSAK} or t_{DAAK} or synchronous specification t_{SACKC} .
- 33/ To determine system hold time, the data output hold time in a particular system, first calculate $t_{DECAY} = C_L \Delta V / I_L$. Choose ΔV to be the difference between the microcontroller's output voltage and the input threshold for the device requiring the hold. Typical ΔV is 0.4 volt. C_L is the total bus capacitance (per data line), and I_L is the total leakage or three state current (per data line). The hold time will be t_{DECAY} plus the minimum disable time (i. e. t_{HDWD} for the write cycle).
- 34/ $t_{SRWLJ}(\min) = 9.5 + 5DT/16$, when multiprocessor memory space wait state (MMSWS bit in WAIT register) is disabled; when MMSWS is enabled, $t_{SRWLJ}(\min) = 4 + DT/8$.
- 35/ t_{DACKAD} is true only if the address and \overline{SW} inputs have setup times (before CLKIN) greater than $10.5 + DT/8$ and less than $18.5 + 3DT/4$. If the address and \overline{SW} inputs have setup times greater than $19 + 3DT/4$, then ACK is valid $15 + DT/4$ (max) after CLKIN. A slave that sees an address with a M field match will respond with ACK regardless of the state of MMSWS or strobes. A slave will three state ACK every cycle with t_{ACKTR} .
- 36/ For first asynchronous access after \overline{HBR} and CS asserted, ADDR 31-0 must be a non-MMS value $1/2t_{CK}$ before \overline{RD} or \overline{WR} goes low or by $t_{HBGRCSV}$ after \overline{HBG} goes low. This is easily accomplished by driving an upper address signal high when \overline{HBG} is asserted.
- 37/ Only required for recognition in the current cycle.
- 38/ CPA assertion must meet the setup to CLKIN; deassertion does not need to meet the setup to CLKIN.
- 39/ (O/D) = open drain, (A/D) = active drain.
- 40/ Not required if RD and address are valid $t_{HBGRCSV}$ after \overline{HBG} goes low. For first access after \overline{HBR} asserted, ADDR 31-0 must be a non-MMS value $1/2t_{CK}$ before RD or \overline{WR} goes low or by $t_{HBGRCSV}$ after \overline{HBG} goes low. This is easily accomplished by driving an upper address signal high when \overline{HBG} is asserted. For address bits to be driven during asynchronous host accesses, see QML manufacturer.
- 41/ Strokes = RD, WR, SW, PAGE, and DMAG.
- 42/ In addition to bus master transition cycles, these specifications also apply to bus master and bus slave synchronous read/write.
- 43/ Memory interface = Address, \overline{RD} , \overline{WR} , \overline{MSx} , \overline{SW} , \overline{HBG} , PAGE, \overline{DMAGx} , and \overline{BMS} (in EPROM boot mode).
- 44/ Only required for recognition in the current cycle.
- 45/ $t_{SDATDGL}$ is the data setup requirement if \overline{DMARx} is not being used to hold off completion of a write. Otherwise, if \overline{DMARx} low holds off completion of the write, the data can be driven t_{DATDRH} after \overline{DMARx} is brought high.
- 46/ $t_{VDATDGH}$ is valid if \overline{DMARx} is not being used to hold off completion of a read. If \overline{DMARx} is used to prolong the read, then $t_{VDATDGH} = 7.5 + 9DT/16 + (n * t_{CK})$ where "n" equals the number of extra cycles that the access is prolonged.
- 47/ LACK will go low with t_{DLALC} relative to rising edge of LCLK after first nibble is received. LACK will not go low if the receivers link buffer is not about to fill.
- 48/ Only required for interrupt recognition in the current cycle.
- 49/ Reference to sample edge.
- 50/ RFS hold after RCK when MCE = 1, MFD = 0 is 0.5 ns minimum from drive edge. TFS hold after TCK for late external TFS is 0.5 ns minimum from drive edge.
- 51/ Reference to drive edge.
- 52/ Applies only to gated serial clock mode used for serial port system I/O in mesh multiprocessing systems.
- 53/ MCE = 1, TFS enable and TFS valid follow $t_{DDTLFSE}$ and $t_{DDTENFS}$.
- 54/ System inputs = DATA47-0, ADDR31-0, RD, WR, ACK, SBTS, SW, HBR, HBG, CS, DMAR1, DMAR2, BR6-1, RPBA, IRQ2-0, FLAG2-0, DR0, DR1, TCLK0, TCLK1, RCLK0, RCLK1, TFS0, TFS1, RFS0, RFS1, LxDAT3-0, LxCLK, LxACK, EBOOT, LBOOT, BMS, CLKIN, RESET.
- 55/ System outputs = DATA47-0, ADDR31-0, MS3-0, RD, WR, ACK, PAGE, ADRCLK, SW, HBG, REDY, DMAG1, DMAG2, BR6-1, CPA, FLAG2-0, TIMEXP, DT0, DT1, TCLK0, TCLK1, RCLK0, RCLK1, TFS0, TFS1, RFS0, RFS1, LxDAT3-0, LxCLK, LxACK, BMS.

STANDARD MICROCIRCUIT DRAWING DEFENSE SUPPLY CENTER COLUMBUS COLUMBUS, OHIO 43216-5000	SIZE A		5962-97507
		REVISION LEVEL A	SHEET 26

Case outline X.

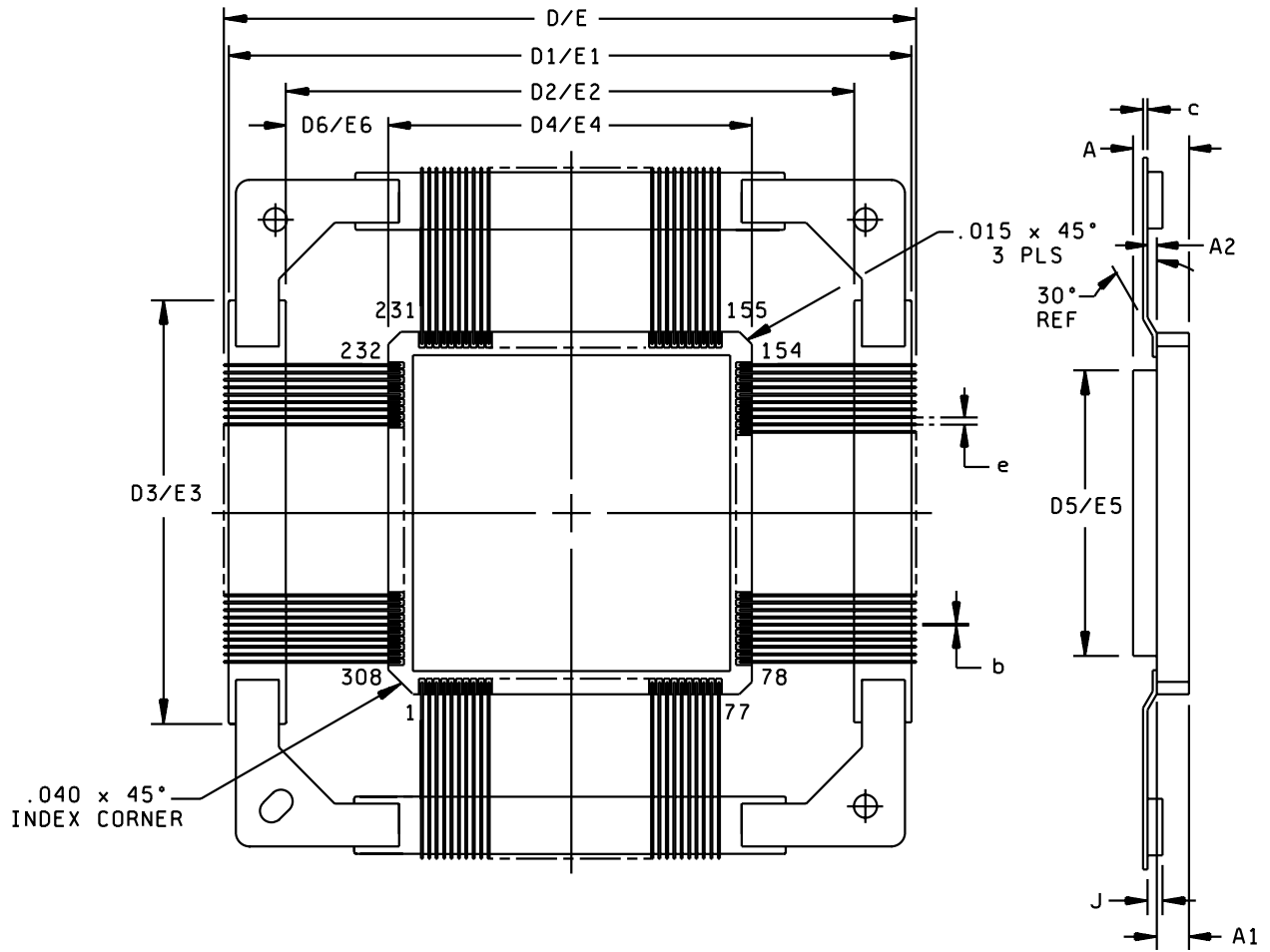


FIGURE 1. Case outline(s).

STANDARD MICROCIRCUIT DRAWING DEFENSE SUPPLY CENTER COLUMBUS COLUMBUS, OHIO 43216-5000	SIZE A		5962-97507
		REVISION LEVEL A	SHEET 27

Case outline X - Continued.

Symbol	Millimeters		Inches	
	Min	Max	Min	Max
A		4.06		0.160
A1	2.11	2.57	0.083	0.101
A2	0.08	0.33	0.003	0.013
b	0.15	0.25	0.006	0.010
c	0.10	0.17	0.004	0.0065
D/E		77.47		3.050
D1/E1	75.95	76.45	2.990	3.010
D2/E2	68.96	69.72	2.715	2.745
D3/E3	57.66	59.18	2.270	2.330
D4/E4	51.77	52.37	2.038	2.062
D5/E5	47.88	48.13	1.885	1.895
D6/E6	8.38	8.89	0.330	0.350
e	0.64 BSC		0.025 BSC	
J		0.89		0.035

NOTES:

1. The U.S. preferred system of measurement is the metric SI. This item was designed using inch-pound units of measurement. In case of problems involving conflicts between the metric and inch-pound units, the inch-pound units shall rule.
2. Pin numbers are for reference only.

FIGURE 1. Case outline(s) - Continued.

STANDARD MICROCIRCUIT DRAWING DEFENSE SUPPLY CENTER COLUMBUS COLUMBUS, OHIO 43216-5000	SIZE A		5962-97507
		REVISION LEVEL A	SHEET 28

Device types		01and 02					
Case outline		X					
Terminal number	Terminal symbol	Terminal number	Terminal symbol	Terminal number	Terminal symbol	Terminal number	Terminal symbol
1	<u>WR</u>	45	GND	89	ADDR13	133	<u>IRQB0</u>
2	RD	46	RFSD1	90	ADDR12	134	<u>IRQB1</u>
3	<u>GND</u>	47	RCLKD1	91	ADDR11	135	<u>IRQB2</u>
4	<u>CSA</u>	48	DRD1	92	GND	136	<u>GND</u>
5	<u>CSB</u>	49	TFSD1	93	ADDR10	137	<u>IRQC0</u>
6	<u>CSC</u>	50	TCLKD1	94	ADDR9	138	<u>IRQC1</u>
7	<u>CSD</u>	51	DTD1	95	ADDR8	139	<u>IRQC2</u>
8	GND	52	VDD	96	VDD	140	<u>IRQD0</u>
9	HBG	53	HBR	97	ADDR7	141	<u>IRQD1</u>
10	REDY	54	<u>DMAR1</u>	98	ADDR6	142	<u>IRQD2</u>
11	ADRCLK	55	<u>DMAR2</u>	99	ADDR5	143	VDD
12	VDD	56	SBTS	100	GND	144	EBOOTA
13	RFS0	57	<u>BMSA</u>	101	ADDR4	145	LBOOTA
14	RCLK0	58	<u>BMSBCD</u>	102	ADDR3	146	EBOOTBCD
15	DR0	59	SW	103	ADDR2	147	LBOOTBCD
16	TFS0	60	<u>GND</u>	104	VDD	148	<u>GND</u>
17	TCLK0	61	<u>MS0</u>	105	ADDR1	149	<u>RESET</u>
18	DT0	62	<u>MS1</u>	106	ADDR0	150	RPBA
19	GND	63	<u>MS2</u>	107	FLAGA0	151	GND
20	CPAA	64	MS3	108	GND	152	LD4ACK
21	CPAB	65	VDD	109	FLAGA2	153	LD4CLK
22	CPAC	66	ADDR31	110	FLAGB0	154	LD4DAT0
23	CPAD	67	ADDR30	111	FLAGB2	155	LD4DAT1
24	VDD	68	ADDR29	112	FLAGC0	156	LD4DAT2
25	RFS1	69	GND	113	FLAGC2	157	LD4DAT3
26	RCLKA1	70	ADDR28	114	FLAGD0	158	VDD
27	DRA1	71	ADDR27	115	FLAGD2	159	LD3ACK
28	TFSA1	72	ADDR26	116	VDD	160	LD3CLK
29	TCLKA1	73	VDD	117	FLAG1	161	LD3DAT0
30	DTA1	74	ADDR25	118	EMU	162	LD3DAT1
31	GND	75	ADDR24	119	TIMEXPA	163	LD3DAT2
32	RFSB1	76	ADDR23	120	TIMEXPB	164	LD3DAT3
33	RCLKB1	77	ADDR22	121	TIMEXPC	165	GND
34	DRB1	78	ADDR21	122	TIMEXPD	166	LD1ACK
35	TFSB1	79	ADDR20	123	GND	167	LD1CLK
36	TCLKB1	80	VDD	124	<u>TDO</u>	168	LD1DAT0
37	DTB1	81	ADDR19	125	TRST	169	LD1DAT1
38	VDD	82	ADDR18	126	TDI	170	LD1DAT2
39	RFSC1	83	ADDR17	127	TMS	171	LD1DAT3
40	RCLKC1	84	GND	128	TCK	172	VDD
41	DRC1	85	ADDR16	129	VDD	173	LC4ACK
42	TFSC1	86	ADDR15	130	<u>IRQA0</u>	174	LC4CLK
43	TCLKC1	87	ADDR14	131	<u>IRQA1</u>	175	LC4DAT0
44	DTC1	88	VDD	132	<u>IRQA2</u>	176	LC4DAT1

FIGURE 2. Terminal connections.

STANDARD MICROCIRCUIT DRAWING DEFENSE SUPPLY CENTER COLUMBUS COLUMBUS, OHIO 43216-5000	SIZE A		5962-97507
		REVISION LEVEL A	SHEET 29

Device types	01and 02				
Case outline	X				
Terminal number	Terminal symbol	Terminal number	Terminal symbol	Terminal number	Terminal symbol
177	LC4DAT2	221	GND	265	GND
178	LC4DAT3	222	LA3ACK	266	DATA24
179	GND	223	LA3CLK	267	DATA25
180	LC3ACK	224	LA3DAT0	268	DATA26
181	LC3CLK	225	LA3DAT1	269	DATA27
182	LC3DAT0	226	LA3DAT2	270	VDD
183	LC3DAT1	227	LA3DAT3	271	DATA28
184	LC3DAT2	228	VDD	272	DATA29
185	LC3DAT3	229	LA1ACK	273	DATA30
186	VDD	230	LA1CLK	274	DATA31
187	LC1ACK	231	LA1DAT0	275	GND
188	LC1CLK	232	LA1DAT1	276	DATA32
189	LC1DAT0	233	LA1DAT2	277	DATA33
190	LC1DAT1	234	LA1DAT3	278	DATA34
191	LC1DAT2	235	GND	279	DATA35
192	LC1DAT3	236	DATA0	280	VDD
193	GND	237	DATA1	281	DATA36
194	LB4ACK	238	DATA2	282	DATA37
195	LB4CLK	239	DATA3	283	DATA38
196	LB4DAT0	240	VDD	284	DATA39
197	LB4DAT1	241	DATA4	285	GND
198	LB4DAT2	242	DATA5	286	DATA40
199	LB4DAT3	243	DATA6	287	DATA41
200	VDD	244	DATA7	288	CLKIN
201	LB3ACK	245	GND	289	GND
202	LB3CLK	246	DATA8	290	DATA42
203	LB3DAT0	247	DATA9	291	DATA43
204	LB3DAT1	248	DATA10	292	VDD
205	LB3DAT2	249	DATA11	293	DATA44
206	LB3DAT3	250	VDD	294	DATA45
207	GND	251	DATA12	295	DATA46
208	LB1ACK	252	DATA13	296	DATA47
209	LB1CLK	253	DATA14	297	GND
210	LB1DAT0	254	DATA15	298	BR1
211	LB1DAT1	255	GND	299	BR2
212	LB1DAT2	256	DATA16	300	BR3
213	LB1DAT3	257	DATA17	301	BR4
214	VDD	258	DATA18	302	BR5
215	LA4ACK	259	DATA19	303	BR6
216	LA4CLK	260	VDD	304	PAGE
217	LA4DAT0	261	DATA20	305	VDD
218	LA4DAT1	262	DATA21	306	DMAG1
219	LA4DAT2	263	DATA22	307	DMAG2
220	LA4DAT3	264	DATA23	308	ACK

FIGURE 2. Terminal connections - Continued.

STANDARD MICROCIRCUIT DRAWING DEFENSE SUPPLY CENTER COLUMBUS COLUMBUS, OHIO 43216-5000	SIZE A		5962-97507
		REVISION LEVEL A	SHEET 30

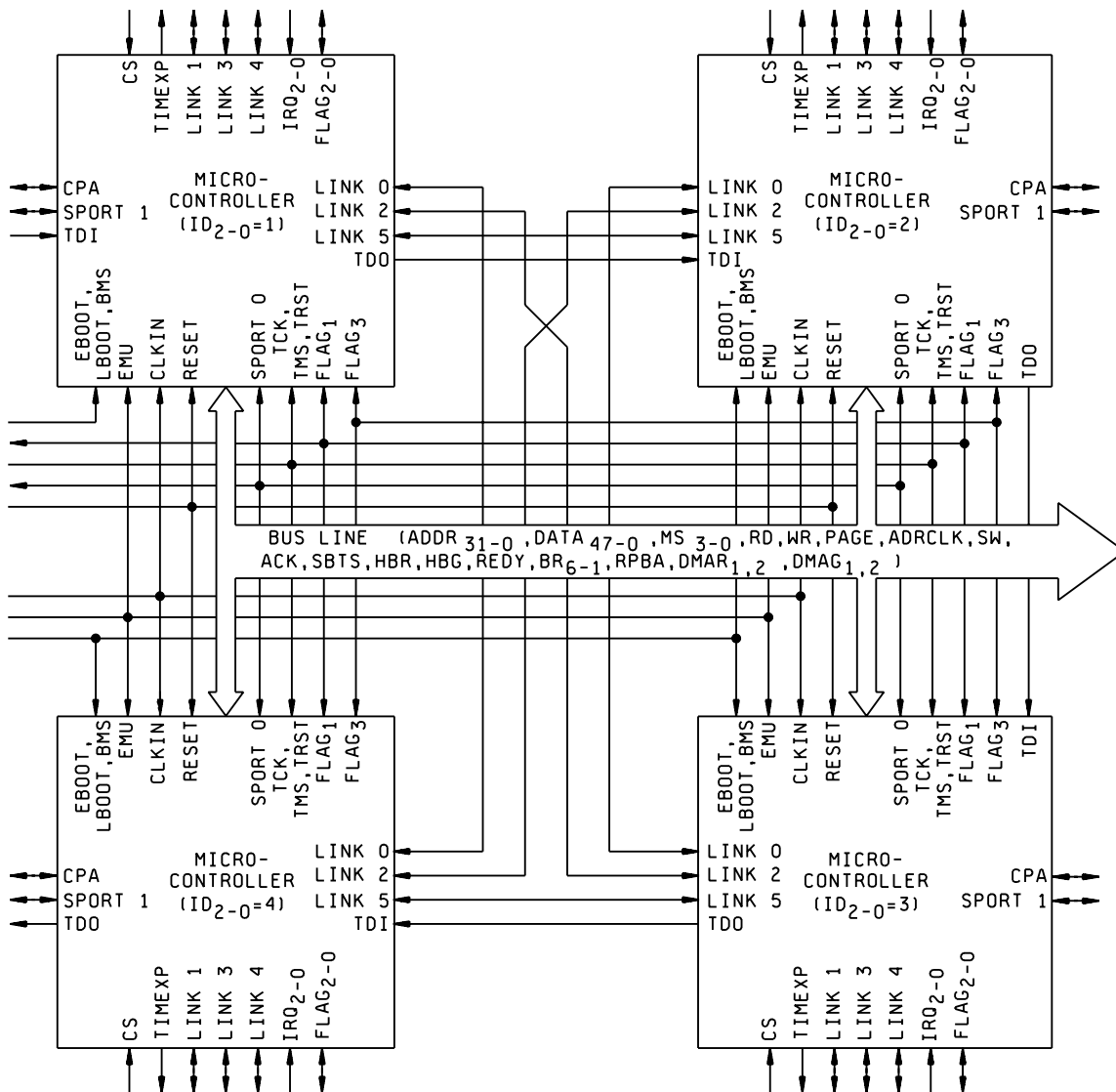


FIGURE 3. Block diagram.

STANDARD MICROCIRCUIT DRAWING DEFENSE SUPPLY CENTER COLUMBUS COLUMBUS, OHIO 43216-5000	SIZE A		5962-97507
		REVISION LEVEL A	SHEET 31

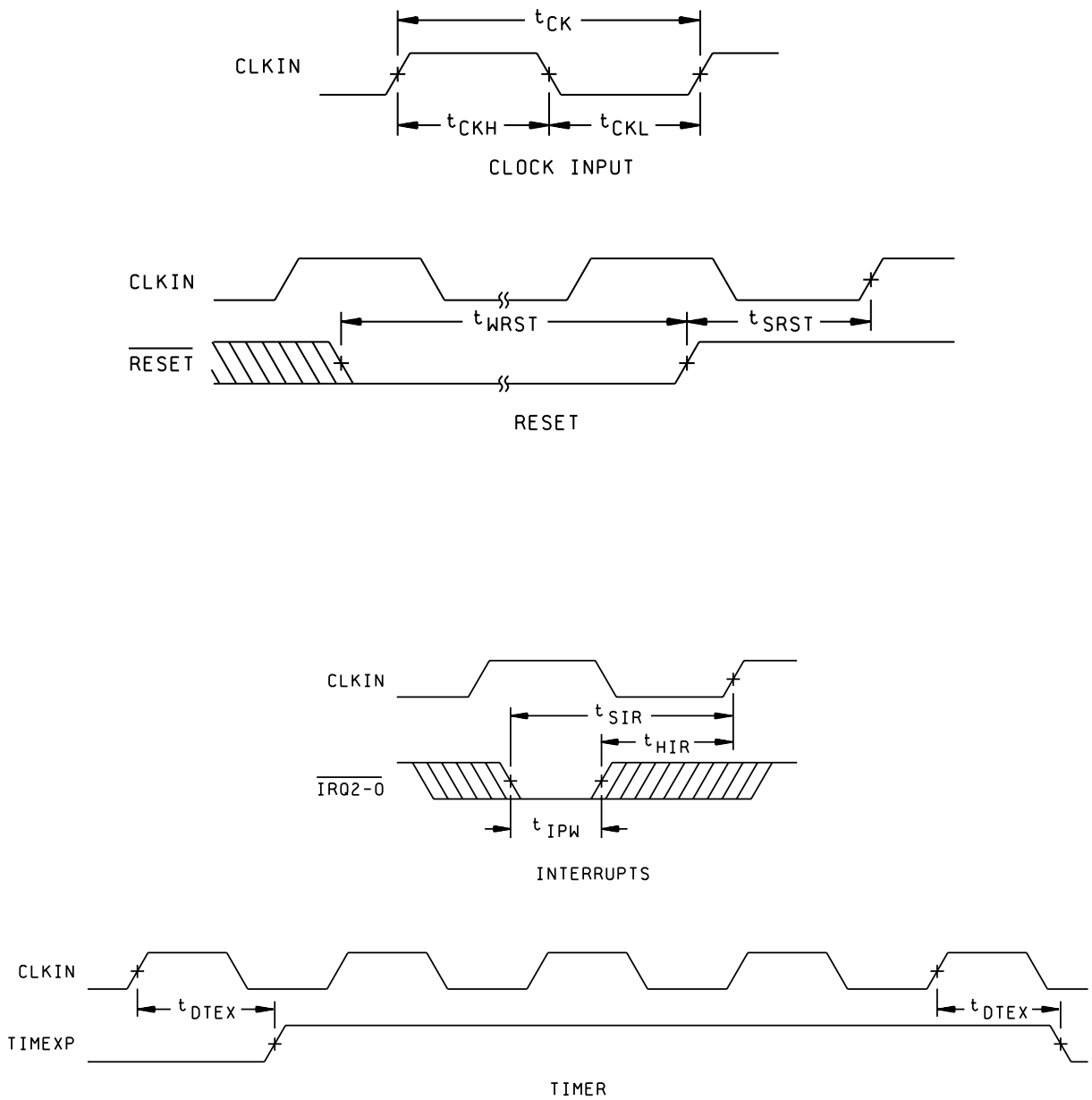


FIGURE 4. Timing waveforms.

STANDARD MICROCIRCUIT DRAWING DEFENSE SUPPLY CENTER COLUMBUS COLUMBUS, OHIO 43216-5000	SIZE A		5962-97507
		REVISION LEVEL A	SHEET 32

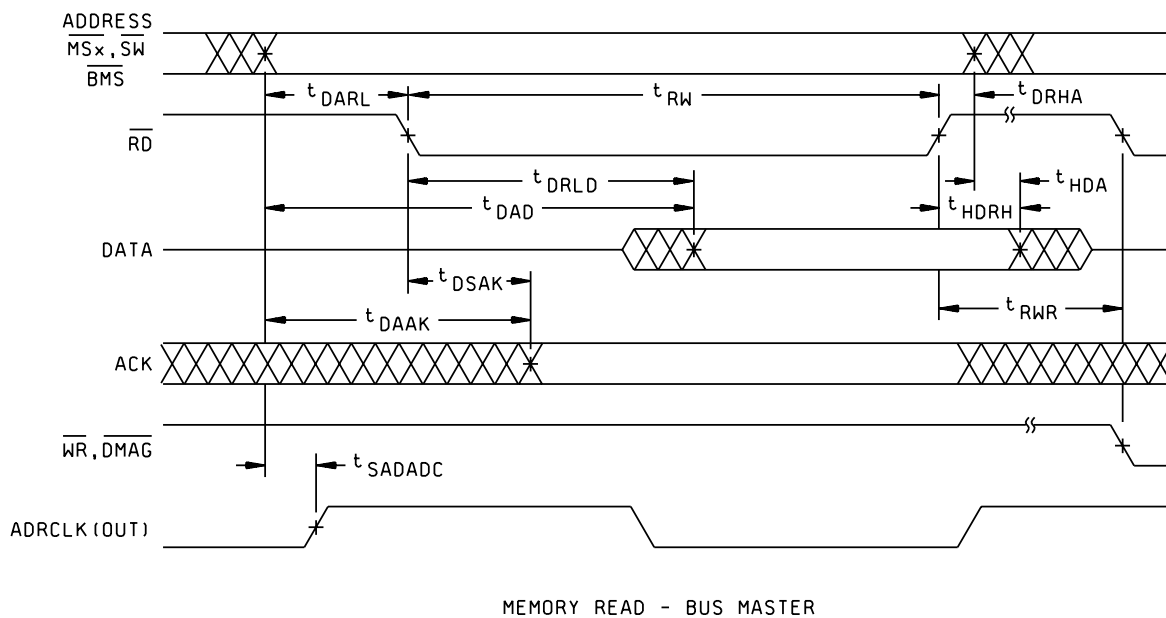
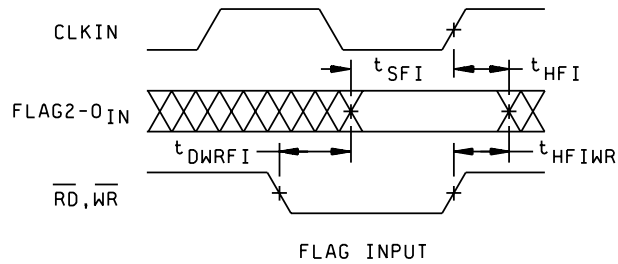
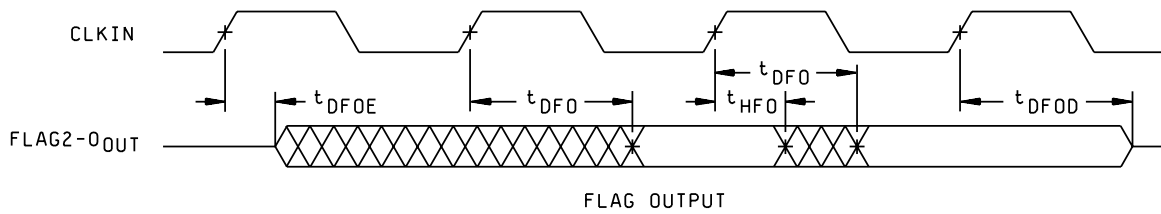


FIGURE 4. Timing waveforms - Continued.

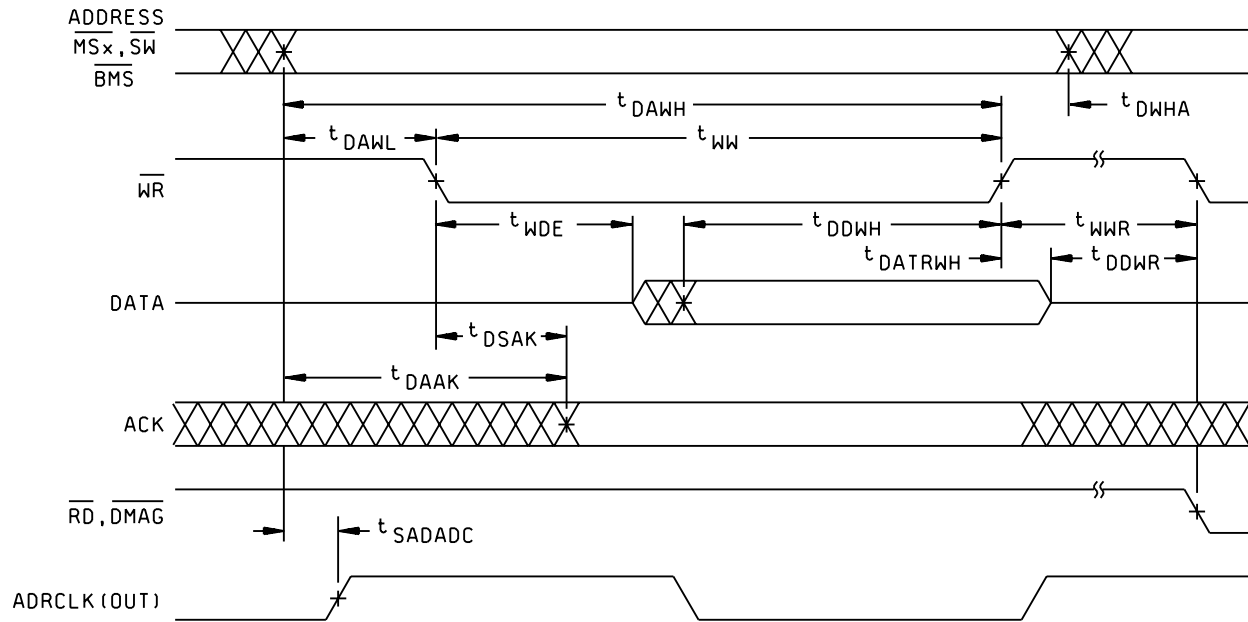
STANDARD
MICROCIRCUIT DRAWING
DEFENSE SUPPLY CENTER COLUMBUS
COLUMBUS, OHIO 43216-5000

SIZE
A

5962-97507

REVISION LEVEL
A

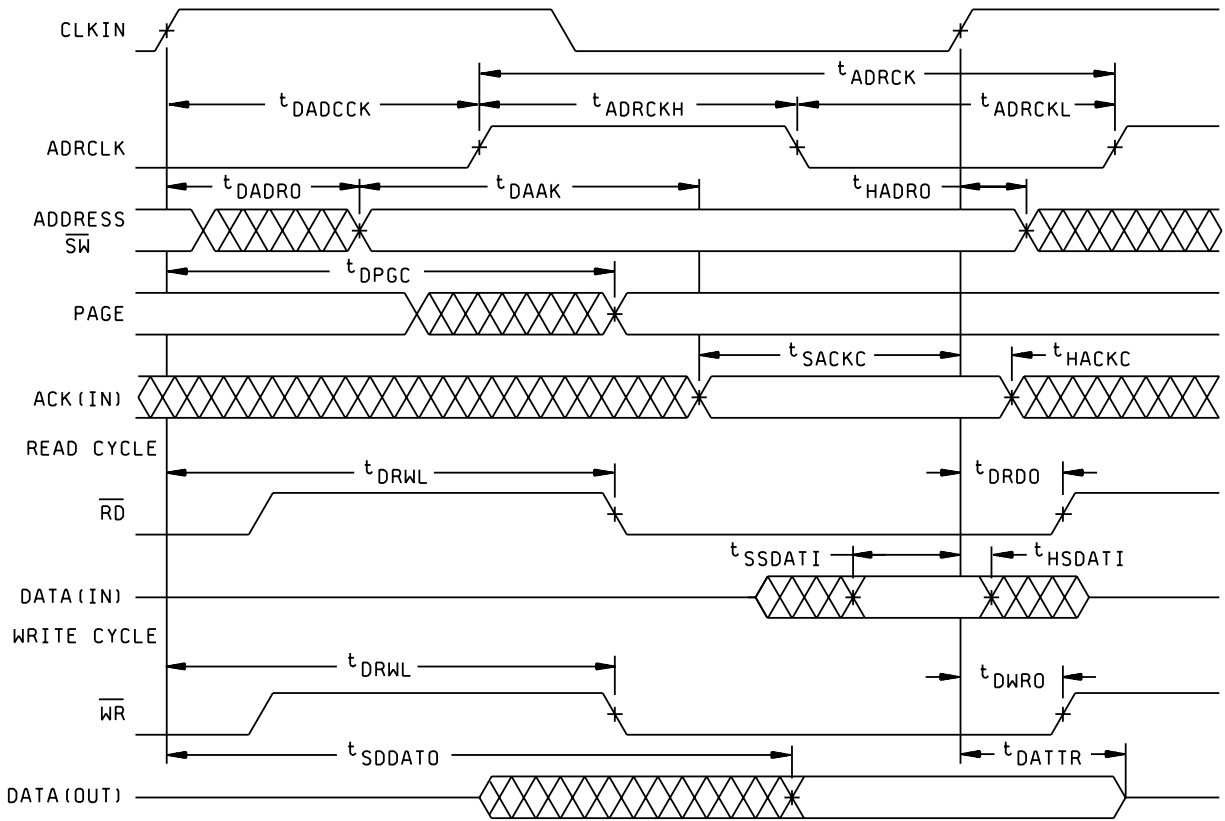
SHEET
33



MEMORY WRITE - BUS MASTER

FIGURE 4. Timing waveforms - Continued.

STANDARD MICROCIRCUIT DRAWING DEFENSE SUPPLY CENTER COLUMBUS COLUMBUS, OHIO 43216-5000	SIZE A		5962-97507
		REVISION LEVEL A	SHEET 34



SYNCHRONOUS READ/WRITE - BUS MASTER

FIGURE 4. Timing waveforms - Continued.

STANDARD MICROCIRCUIT DRAWING DEFENSE SUPPLY CENTER COLUMBUS COLUMBUS, OHIO 43216-5000	SIZE A		5962-97507
		REVISION LEVEL A	SHEET 35

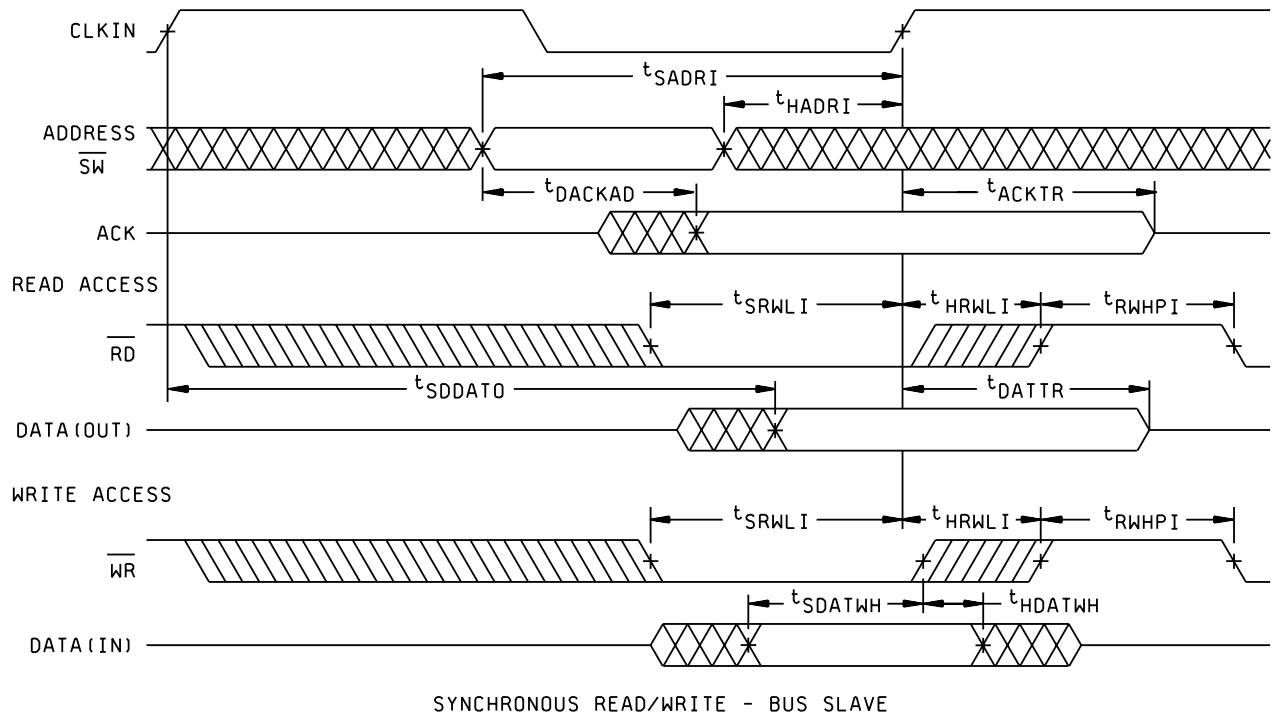
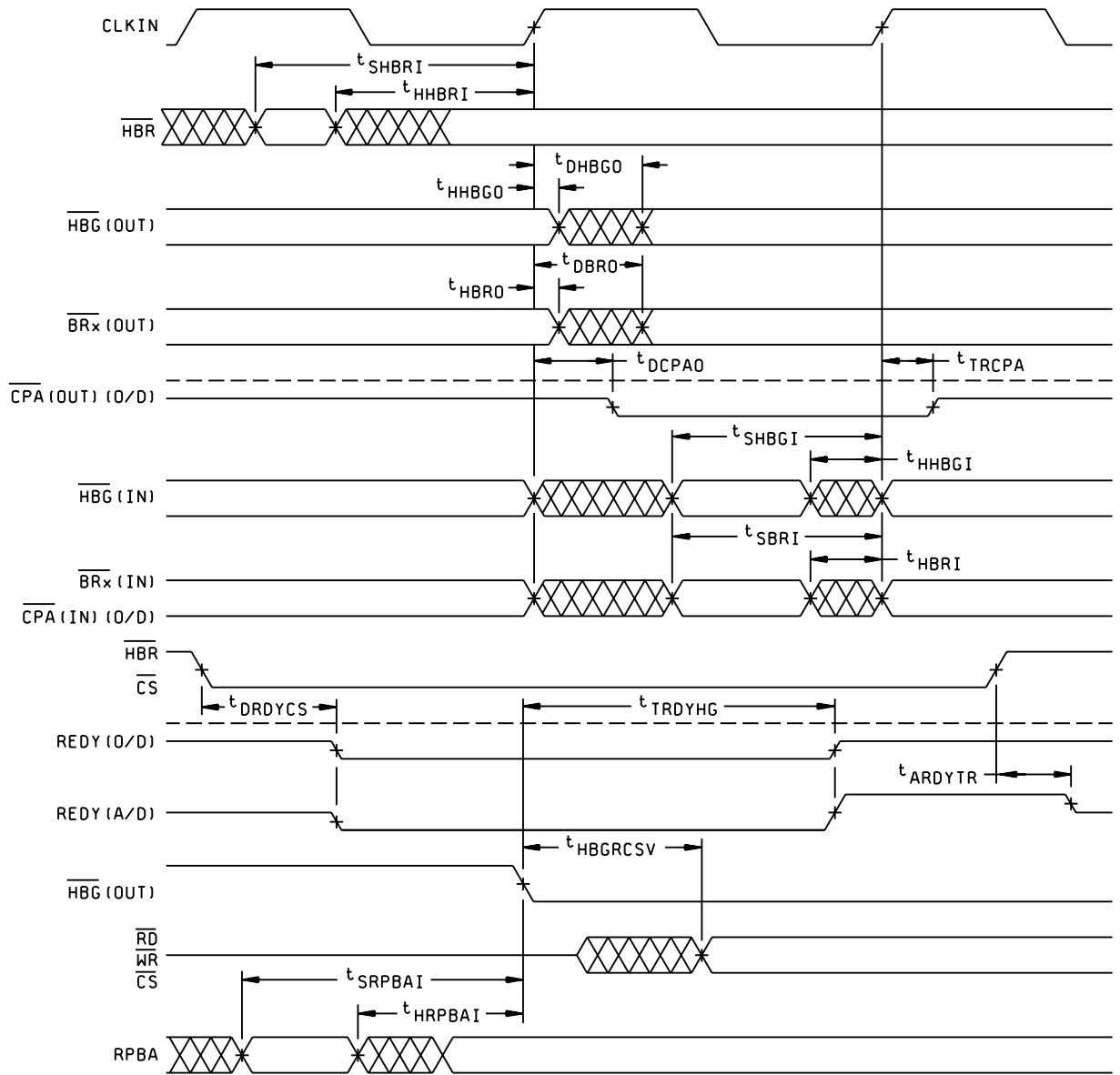


FIGURE 4. Timing waveforms - Continued.

STANDARD MICROCIRCUIT DRAWING DEFENSE SUPPLY CENTER COLUMBUS COLUMBUS, OHIO 43216-5000	SIZE A		5962-97507
		REVISION LEVEL A	SHEET 36



MULTIPROCESSOR BUS REQUEST AND HOST BUS REQUEST

FIGURE 4. Timing waveforms - Continued.

STANDARD MICROCIRCUIT DRAWING DEFENSE SUPPLY CENTER COLUMBUS COLUMBUS, OHIO 43216-5000	SIZE A		5962-97507
		REVISION LEVEL A	SHEET 37

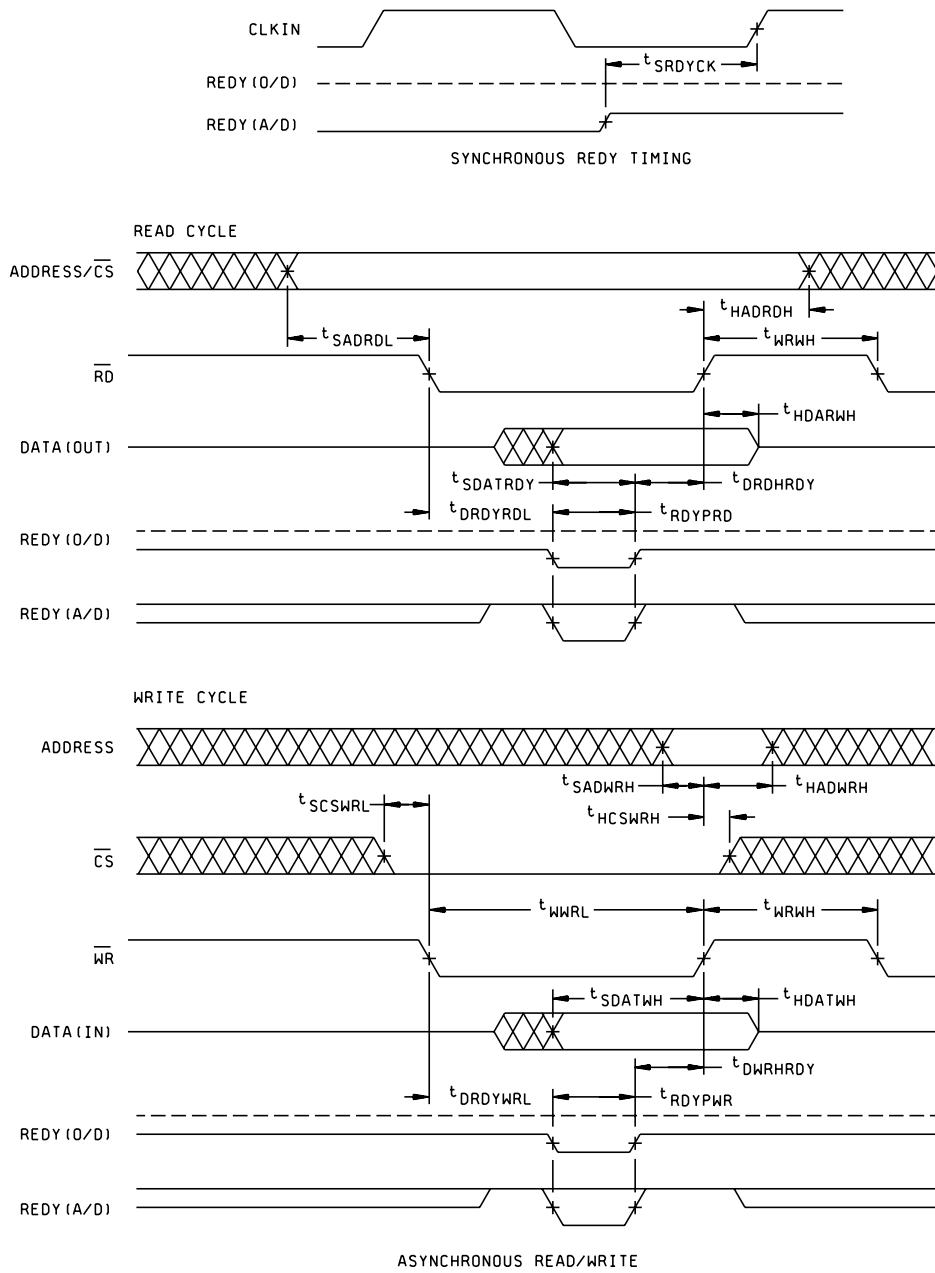


FIGURE 4. Timing waveforms - Continued.

STANDARD MICROCIRCUIT DRAWING DEFENSE SUPPLY CENTER COLUMBUS COLUMBUS, OHIO 43216-5000	SIZE A		5962-97507
		REVISION LEVEL A	SHEET 38

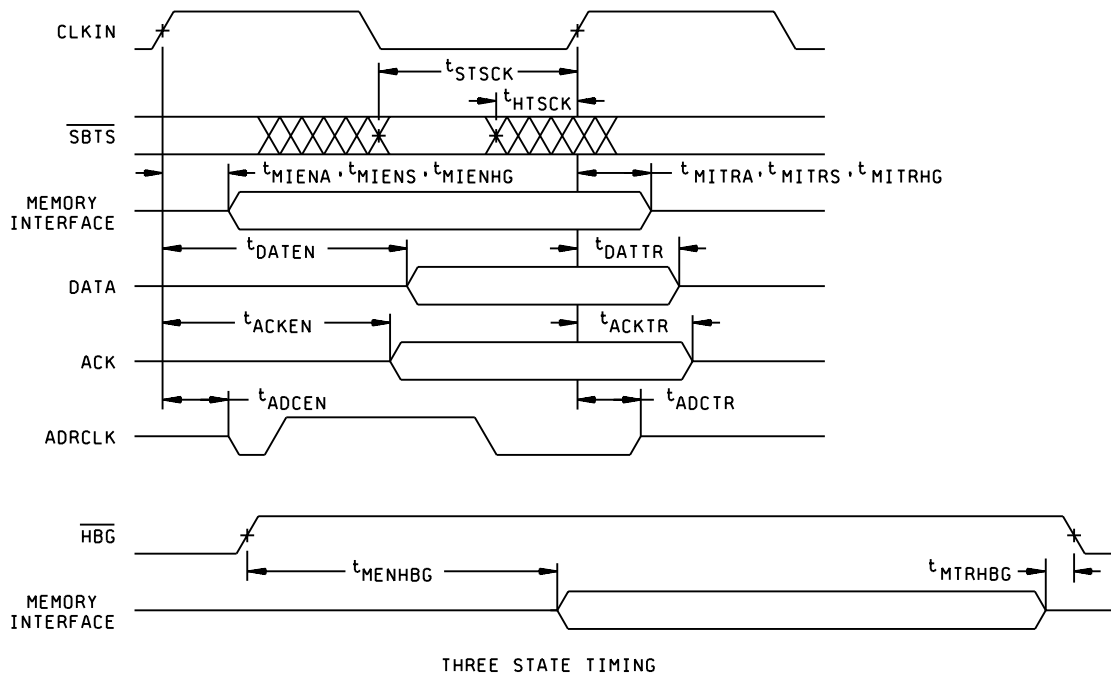
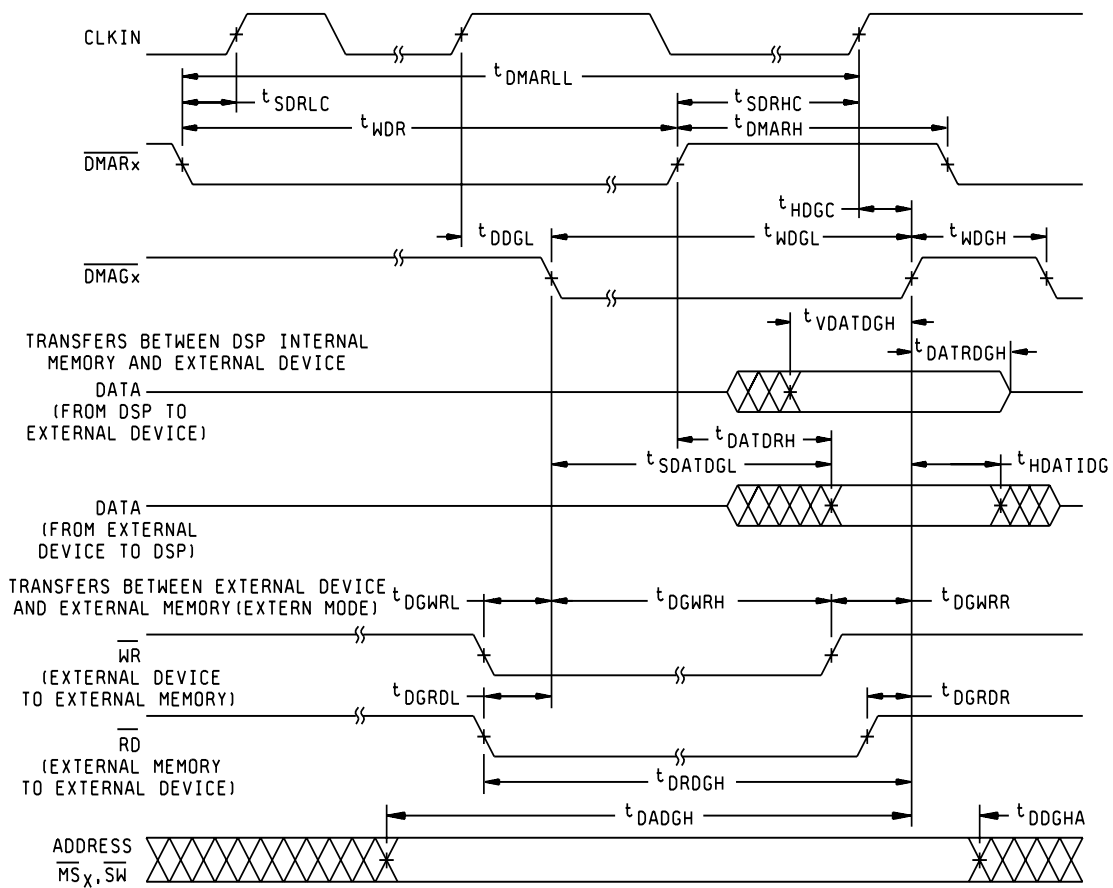


FIGURE 4. Timing waveforms - Continued.

STANDARD MICROCIRCUIT DRAWING DEFENSE SUPPLY CENTER COLUMBUS COLUMBUS, OHIO 43216-5000	SIZE A		5962-97507
		REVISION LEVEL A	SHEET 39



DMA HAND SHAKE TIMING

FIGURE 4. Timing waveforms - Continued.

STANDARD MICROCIRCUIT DRAWING DEFENSE SUPPLY CENTER COLUMBUS COLUMBUS, OHIO 43216-5000	SIZE A		5962-97507
		REVISION LEVEL A	SHEET 40

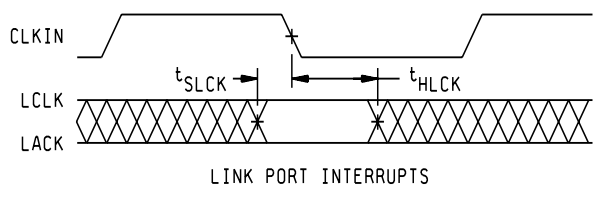
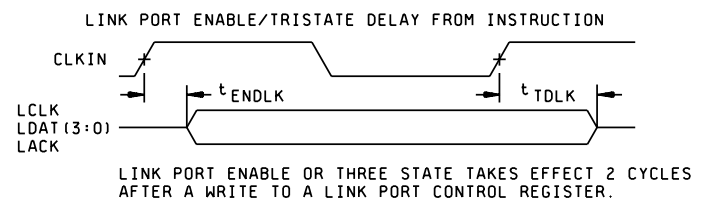
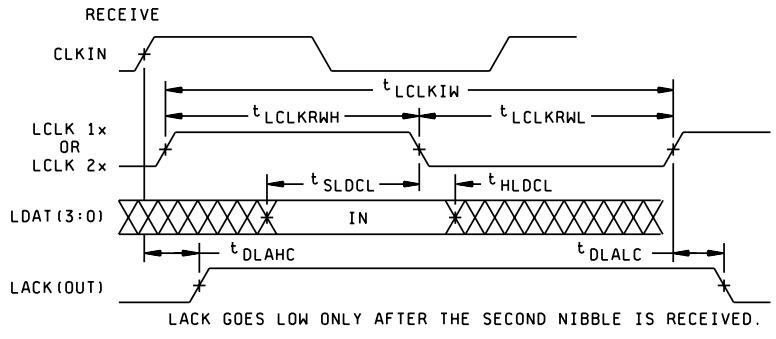
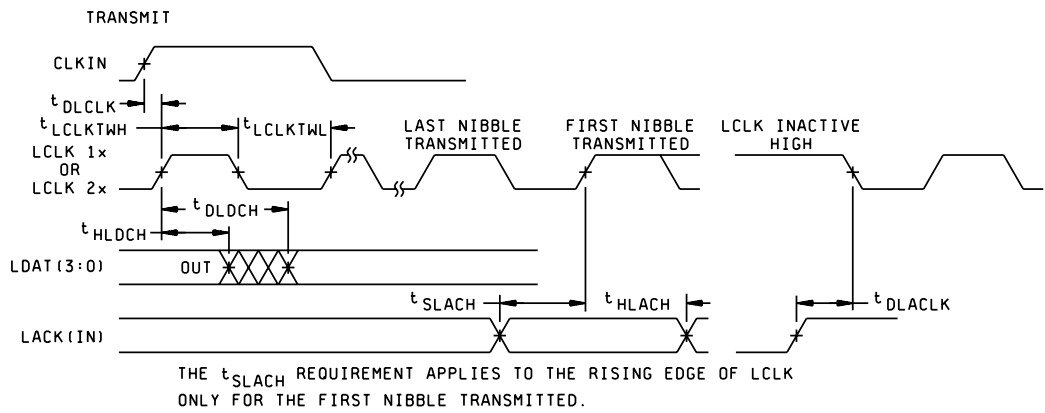
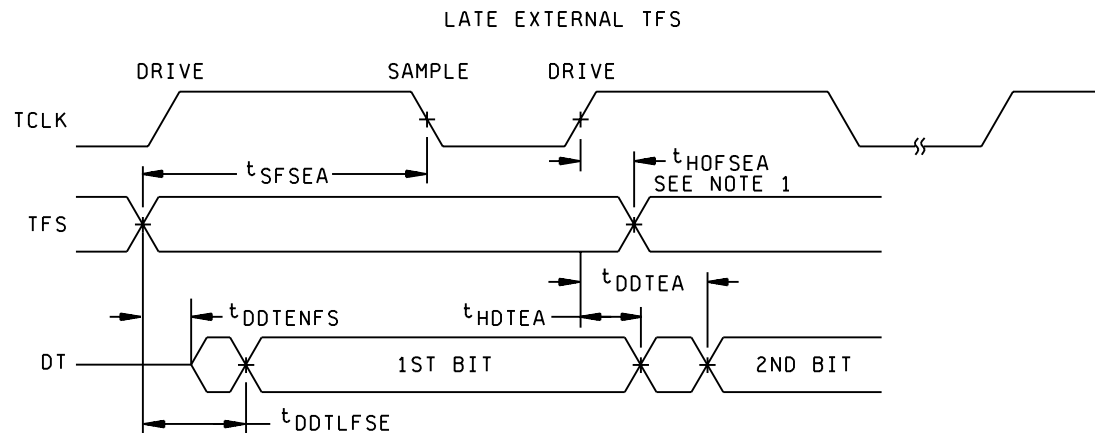
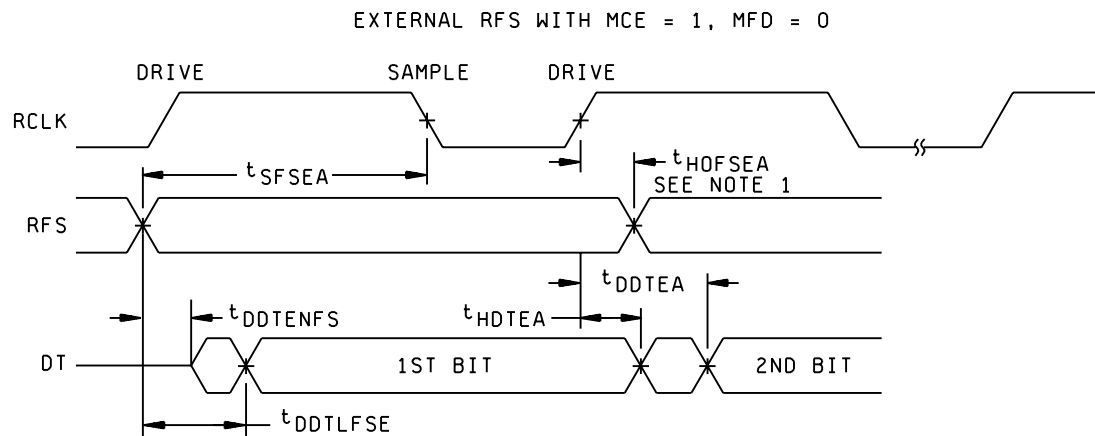


FIGURE 4. Timing waveforms - Continued.

STANDARD MICROCIRCUIT DRAWING DEFENSE SUPPLY CENTER COLUMBUS COLUMBUS, OHIO 43216-5000	SIZE A		5962-97507
		REVISION LEVEL A	SHEET 41



EXTERNAL LATE FRAME SYNC

NOTE:

1. RFS hold after RCLK when MCE = 1, MFD = 0 is 0.5 ns minimum from drive edge. TFS hold after TCLK for late external TFS is 0.5 ns minimum form drive edge.

FIGURE 4. Timing waveforms - Continued.

STANDARD MICROCIRCUIT DRAWING DEFENSE SUPPLY CENTER COLUMBUS COLUMBUS, OHIO 43216-5000	SIZE A		5962-97507
		REVISION LEVEL A	SHEET 42

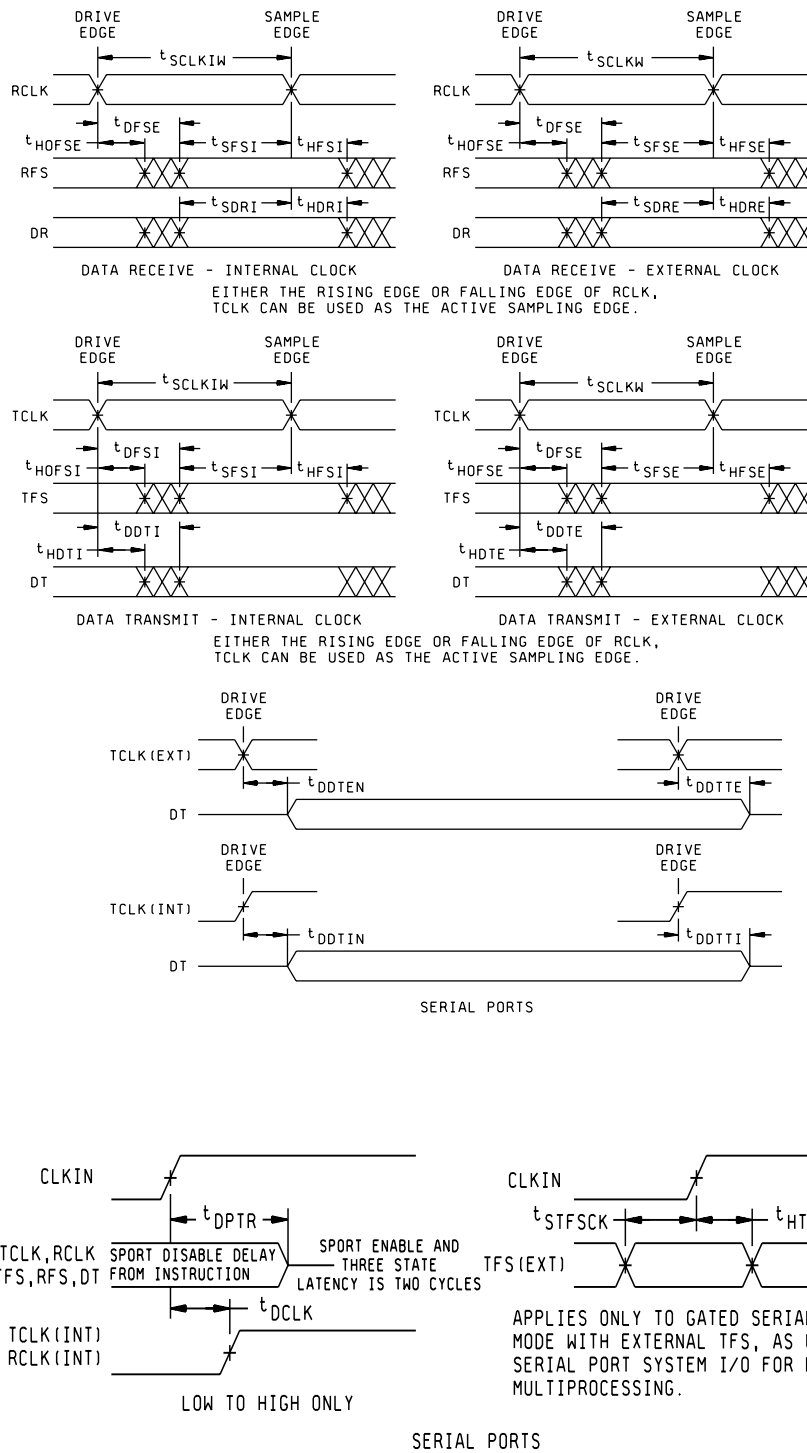


FIGURE 4. Timing waveforms - Continued.

STANDARD MICROCIRCUIT DRAWING DEFENSE SUPPLY CENTER COLUMBUS COLUMBUS, OHIO 43216-5000	SIZE A		5962-97507
		REVISION LEVEL A	SHEET 43

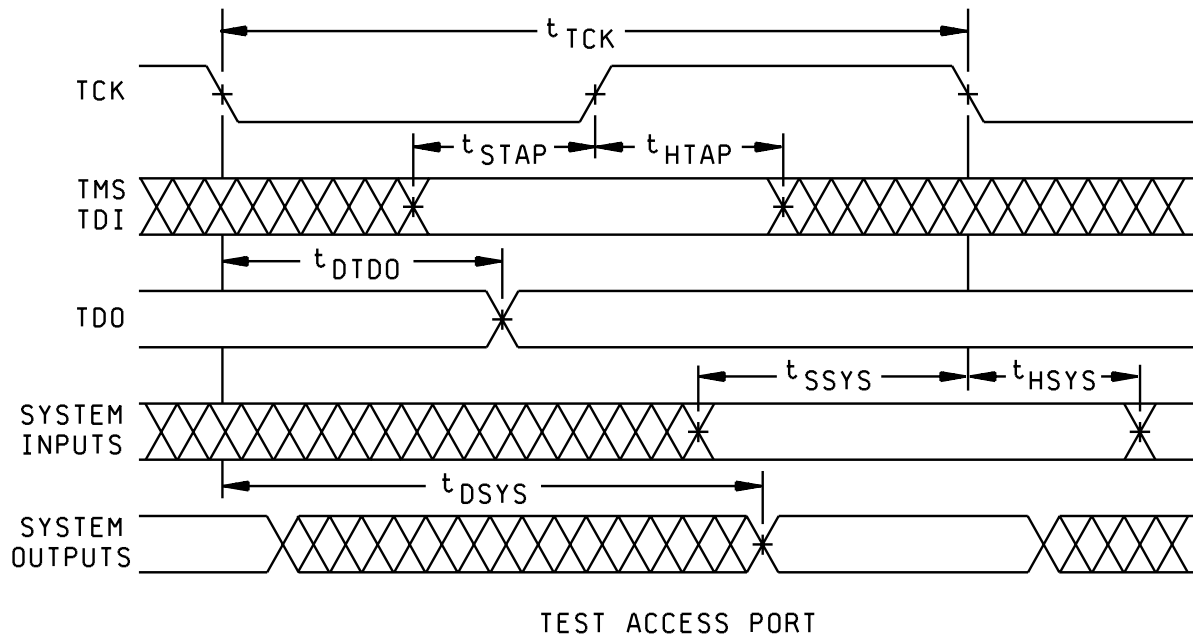


FIGURE 4. Timing waveforms - Continued.

STANDARD MICROCIRCUIT DRAWING DEFENSE SUPPLY CENTER COLUMBUS COLUMBUS, OHIO 43216-5000	SIZE A		5962-97507
		REVISION LEVEL A	SHEET 44

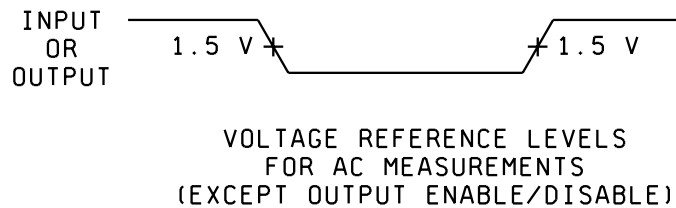
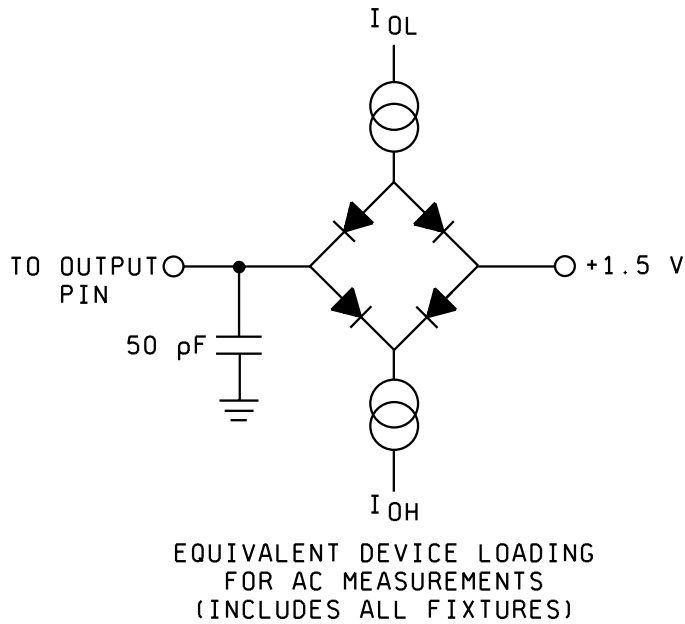
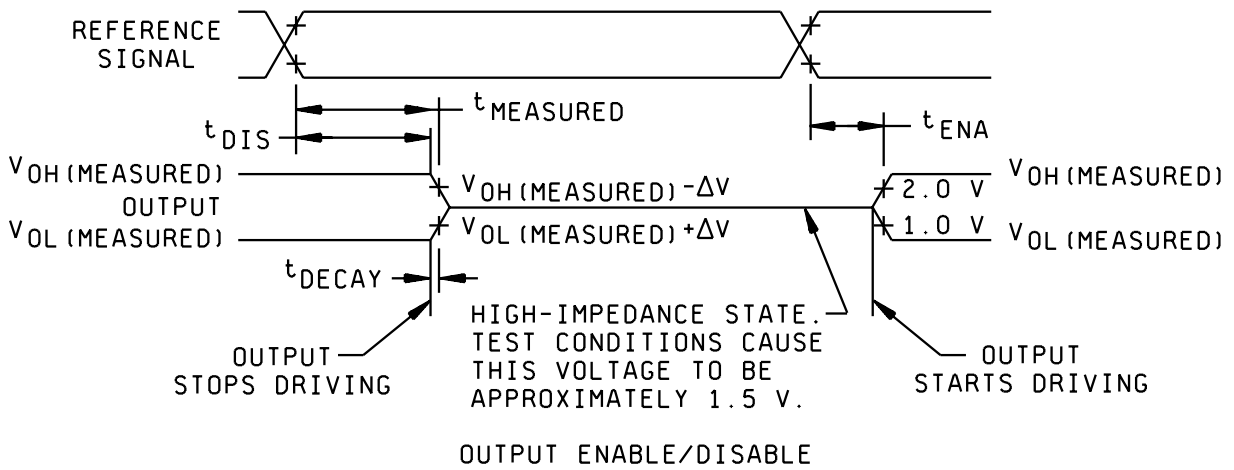


FIGURE 4. Timing waveforms - Continued.

STANDARD MICROCIRCUIT DRAWING DEFENSE SUPPLY CENTER COLUMBUS COLUMBUS, OHIO 43216-5000	SIZE A		5962-97507
		REVISION LEVEL A	SHEET 45

TABLE II. Electrical test requirements.

MIL-PRF-38534 test requirements	Subgroups (in accordance with MIL-PRF-38534, group A test table)
Interim electrical parameters	Paragraph 4.2.b
Final electrical parameters	Paragraph 4.2.b*, 1, 2, 3, 7, 8, 9, 10, 11
Group A test requirements	1, 2, 3, 7, 8, 9, 10, 11
Group C end-point electrical parameters	1, 7, 9
MIL-STD-883, group E end-point electrical parameters for RHA devices	Subgroups** (in accordance with method 5005, group A test table)

* PDA applies to paragraph 4.2.b, functional testing.

** When applicable to this standard microcircuit drawing,
the subgroups shall be defined.

4.3 Conformance and periodic inspections. Conformance inspection (CI) and periodic inspection (PI) shall be in accordance with MIL-PRF-38534 and as specified herein.

4.3.1 Group A inspection (CI). Group A inspection shall be in accordance with MIL-PRF-38534 and as follows:

- a. Tests shall be as specified in table II herein.
- b. Subgroups 4, 5, and 6 shall be omitted.
- c. Subgroups 7 and 8 shall include verification of the functionality of the device.

4.3.2 Group B inspection (PI). Group B inspection shall be in accordance with MIL-PRF-38534.

4.3.3 Group C inspection (PI). Group C inspection shall be in accordance with MIL-PRF-38534 and as follows:

- a. End-point electrical parameters shall be as specified in table II herein.
- b. Steady-state life test, method 1005 of MIL-STD-883.
 - (1) Test condition A, B, C, or D. The test circuit shall be maintained by the manufacturer under document revision level control and shall be made available to either DSCC-VA or the acquiring activity upon request. Also, the test circuit shall specify the inputs, outputs, biases, and power dissipation, as applicable, in accordance with the intent specified in test method 1005 of MIL-STD-883.
 - (2) T_C as specified in accordance with table I of method 1005 of MIL-STD-883.
 - (3) Test duration: 1,000 hours, except as permitted by method 1005 of MIL-STD-883.

STANDARD MICROCIRCUIT DRAWING DEFENSE SUPPLY CENTER COLUMBUS COLUMBUS, OHIO 43216-5000	SIZE A		5962-97507
		REVISION LEVEL A	SHEET 46

4.3.4 Group D inspection (PI). Group D inspection shall be in accordance with MIL-PRF-38534.

4.3.5 Group E inspection. Group E inspection is required only for parts intended to be marked as radiation hardness assured (see 3.5 herein). RHA levels shall be M, D, R, and H. RHA quality conformance inspection sample tests shall be performed at the RHA level specified in the acquisition document.

- a. RHA tests for levels M, D, R, and H shall be performed through each level to determine at what levels the devices meet the RHA requirements. These RHA tests shall be performed for initial qualification and after design or process changes which may affect the RHA performance of the device.
- b. End-point electrical parameters shall be as specified in table II herein.
- c. Prior to total dose irradiation, each selected sample shall be assembled in its qualified package. It shall pass the specified group A electrical parameters in table I for subgroups specified in table II herein.
- d. The devices shall be subjected to radiation hardness assured tests as specified in MIL-PRF-38534 for RHA level being tested, and meet the postirradiation end-point electrical parameter limits as defined in table I at $T_A = +25^\circ\text{C} \pm 5$ percent, after exposure.
- e. Prior to and during total dose irradiation testing, the devices shall be biased to establish a worst case condition as specified in the radiation exposure circuit.
- f. For device classes H and K, subgroups 1 and 2 in table V, method 5005 of MIL-STD-883 shall be tested as appropriate for device construction.
- g. When specified in the purchase order or contract, a copy of the RHA delta limits shall be supplied.

5. PACKAGING

5.1 Packaging requirements. The requirements for packaging shall be in accordance with MIL-PRF-38534.

6. NOTES

6.1 Intended use. Microcircuits conforming to this drawing are intended for use for Government microcircuit applications (original equipment), design applications, and logistics purposes.

6.2 Replaceability. Microcircuits covered by this drawing will replace the same generic device covered by a contractor-prepared specification or drawing.

6.3 Configuration control of SMD's. All proposed changes to existing SMD's will be coordinated with the users of record for the individual documents. This coordination will be accomplished in accordance with MIL-STD-973 using DD Form 1692, Engineering Change Proposal.

6.4 Record of users. Military and industrial users shall inform Defense Supply Center Columbus when a system application requires configuration control and the applicable SMD. DSCC will maintain a record of users and this list will be used for coordination and distribution of changes to the drawings. Users of drawings covering microelectronic devices (FSC 5962) should contact DSCC-VA, telephone (614) 692-7603.

6.5 Comments. Comments on this drawing should be directed to DSCC-VA, P. O. Box 3990, Columbus, Ohio 43216-5000, or telephone (614) 692-0512.

6.6 Sources of supply. Sources of supply are listed in QML-38534. The vendors listed in QML-38534 have submitted a certificate of compliance (see 3.7 herein) to DSCC-VA and have agreed to this drawing.

STANDARD MICROCIRCUIT DRAWING DEFENSE SUPPLY CENTER COLUMBUS COLUMBUS, OHIO 43216-5000	SIZE A		5962-97507
		REVISION LEVEL A	SHEET 47

TABLE III. Pin functions.

Terminal symbol	Type <u>1</u> /	Function
ADDR31-0	I/O/T	External Bus Address. (Common to all processors). The module outputs addresses for external memory and peripherals on these pins. In a multiprocessor system, the bus master outputs addresses for read/writes on the internal memory or IOP registers of slave processors. The module inputs addresses when a host processor or multiprocessing bus master is reading or writing the internal memory or IOP registers of internal processors.
DATA47-0	I/O/T	External Bus DATA. (Common to all processors). The module inputs and outputs data and instructions on these pins. 32-bit single-precision floating-point data and 32-bit fixed-point data is transferred over bits 47 - 16 of the bus. 40-bit extended-precision floating-point data is transferred over bits 47 - 8 of the bus. 16-bit short word data is transferred over bits 31 - 16 of the bus. In PROM boot mode, 8-bit data is transferred over bits 23 - 16. Pull-up resistors on unused DATA pins are not necessary.
$\overline{\text{MS3-0}}$	O/T	Memory Select Lines. (Common to all processors). These lines are asserted (low) as chip selects for the corresponding banks of external memory. Memory bank size must be defined in the individual processors system control registers (SYSCON). The MS3-0 lines are decoded memory address lines that change at the <u>same</u> time as the other address lines. When no external memory access is occurring the MS3-0 lines are inactive; they are active, however, when a <u>conditional</u> memory access instruction is executed, whether or not the condition is true. MS0 can be used with the PAGE signal to implement a bank of DRAM memory (Bank 0). In multiprocessing system, the MS3-0 lines are output by the bus master.
$\overline{\text{RD}}$	I/O/T	Memory Read Strobe. (Common to all processors). This pin is asserted (low) when the processor reads from external devices or when the internal memory of <u>internal</u> processors is being accessed. External devices (including other processors) <u>must</u> assert RD to read from the processors internal memory. In a multiprocessing system, RD is output by the bus master and is input by all other processors.
$\overline{\text{WR}}$	I/O/T	Memory Write Strobe. (Common to all processors). This pin is asserted (low) when the processor writes from external devices or when the internal memory of <u>internal</u> processors is being accessed. External devices (including other processors) <u>must</u> assert WR to write from the processors internal memory. In a multiprocessing system, WR is output by the bus master and is input by all other processors.
PAGE	O/T	DRAM Page Boundary. (Common to all processors). The module asserts this pin to signal that an external DRAM page boundary has been crossed. DRAM page size must be defined in the individual processor's memory control register (WAIT). DRAM can only be implemented in external memory Bank 0; the PAGE signal can only be activated for Bank 0 accesses. In a multiprocessing system, PAGE is output by the bus master.
ADRCLK	O/T	Clock Output Reference. (Common to all processors). In a multiprocessing system, ADRCLK is output by the bus master.
$\overline{\text{SW}}$	I/O/T	Synchronous Write Select. (Common to all processors). This signal is used to interface the <u>processor</u> to synchronous memory devices (including other processors). The module asserts <u>SW</u> (low) to provide an early indication of an impending write cycle, which can be aborted if <u>WR</u> is not later asserted (e.g. in a conditional write instruction). In a multiprocessing system, SW is output by the bus master and is input by all <u>other</u> processors to determine if the multiprocessor memory access is a read or write. SW is asserted at the same time as the address output. A host processor using synchronous writes must assert this pin when writing to module.

STANDARD
MICROCIRCUIT DRAWING
DEFENSE SUPPLY CENTER COLUMBUS
COLUMBUS, OHIO 43216-5000

SIZE
A

5962-97507

REVISION LEVEL
A

SHEET
48

TABLE III. Pin functions - Continued.

Terminal symbol	Type 1/	Function
ACK	I/O/S	Memory Acknowledge. (Common to all processors). External devices can deassert ACK (low) to add wait states to an external memory access. ACK is used by I/O devices, memory controllers, or other peripherals to hold off completion of an external memory access. The module deasserts ACK, as an output, to add wait states to a synchronous access of its internal memory. In a multiprocessing system, a slave processor deasserts the bus master's ACK input to add wait state(s) to an access of its internal memory. The bus master has a keeper latch on its ACK pin that maintains the input at the level it was last driven to.
$\overline{\text{SBTS}}$	I/S	Suspend Bus Three State. (Common to all processors). External devices can assert SBTS (low) to place the external bus address, data, selects, and strobes in a high impedance state for the following cycle. If the module attempts to access external memory while SBTS is asserted, the processor will halt and the memory access will not be completed until SBTS is deasserted. SBTS should only be used to recover from the host processor/ the module deadlock, or used with a DRAM controller.
$\overline{\text{HBR}}$	I/A	Host Bus Request. (Common to all processors). Must be asserted by a host processor to request control of the module's external bus. When HBR is asserted in a multiprocessor system, the processor that is bus master will relinquish the bus and assert HBG. To relinquish the bus, the processor places the address, data, select, and strobe lines in a high impedance state. HBR has priority over all processor bus requests (BR 6-1) in a multiprocessing system.
$\overline{\text{HBG}}$	I/O	Host Bus Grant. (Common to all processors). Acknowledges an $\overline{\text{HBR}}$ bus request, indicating that the host processor may take control of the external bus. HBG is asserted (held low) by the module until HBR is released. In a multiprocessing system, HBG is output by the processor bus master and is monitored by all others.
$\overline{\text{CSA}}$	I/A	Chip Select. Asserted by host processor to select processor-A.
$\overline{\text{CSB}}$	I/A	Chip Select. Asserted by host processor to select processor-B.
$\overline{\text{CSC}}$	I/A	Chip Select. Asserted by host processor to select processor-C.
$\overline{\text{CSD}}$	I/A	Chip Select. Asserted by host processor to select processor-D.
REDY (O/D)	O	Host Bus Acknowledge. (Common to all processors). The module deasserts REDY (low) to add wait states to an asynchronous access of its internal memory or IOP registers by a host. Open drain output (O/D) by default; can be programmed in ADREDDY bit of SYSON register of individual processors to be active drive (A/D). REDY will only be output if the CS and HBR inputs are asserted.
$\overline{\text{BR6-1}}$	I/O/S	Multiprocessing Bus Requests. (Common to all processor). Used by multiprocessing processors to arbitrate for bus mastership. A processor only drives its own BRx line (corresponding to the value of its ID2-0 inputs) and monitors all others. In a multiprocessing system with less than six processors the unused BRx pins should be pulled high; BR4-1 must not be pulled high or low because they are outputs.

STANDARD
MICROCIRCUIT DRAWING
DEFENSE SUPPLY CENTER COLUMBUS
COLUMBUS, OHIO 43216-5000

SIZE
A

5962-97507

REVISION LEVEL
A

SHEET
49

TABLE III. Pin functions - Continued.

Terminal symbol	Type <u>1</u> /	Function
RPBA	I/S	Rotating Priority Bus Arbitration Select. (Common to all processors). When RPBA is high, rotating priority for multiprocessor bus arbitration is selected. When RPBA is low, fixed priority is selected. This signal is a system configuration selection that must be set to the same value on every processor. If the value of RPBA is changed during system operation, it must be changed in the same CLKIN cycle on every processor.
$\overline{\text{CPA}}_y$ (O/D)	I/O	Core Priority Access (y =processor-A, -B, -C, -D). Asserting its $\overline{\text{CPA}}$ pin allows the core processor of a bus slave to interrupt background DMA transfers and gain access to the external bus. CPA is an open drain output that is connected to all processors in the system, if this function is required. The CPA pin of each internal processor is brought out individually. The CPA pin has an internal 5 kohm pull-up resistor. If core access priority is not required in a system, the CPA pin should be left unconnected.
DT0	O/T	Data Transmit (Common serial ports 0 to all processors, TDM). DT pin has four parallel 50 kohm internal pull-up resistors.
DR0	I	Data Receive (Common serial ports 0 to all processors, TDM). DR pin has four parallel 50 kohm internal pull-up resistors.
TCLK0	I/O	Transmit Clock (Common serial ports 0 to all processors, TDM). TCLK pin has four parallel 50 kohm internal pull-up resistors.
RCLK0	I/O	Receiver Clock (Common serial ports 0 to all processors, TDM). RCLK pin has four parallel 50 kohm internal pull-up resistors.
TFS0	I/O	Transmit Frame Sync (Common serial ports 0 to all processors, TDM).
RFS0	I/O	Receiver Frame Sync (Common serial ports 0 to all processors, TDM).
DTy1	O/T	Data Transmit (Serial port 1 individual from processor-A, -B, -C, -D). Each DT pin has a 50 kohm internal pull-up resistor.
DRy1	I	Data Receive (Serial port 1 individual from processor-A, -B, -C, -D). Each DR pin has a 50 kohm internal pull-up resistor.
TCLKy1	I/O	Transmit Clock (Serial port 1 individual from processor-A, -B, -C, -D). Each TCLK pin has a 50 kohm internal pull-up resistor.
RCLKy1	I/O	Receive Clock (Serial port 1 individual from processor-A, -B, -C, -D). Each RCLK pin has a 50 kohm internal pull-up resistor.
TFSy1	I/O	Transmit Frame Sync (Serial port 1 individual from processor-A, -B, -C, -D).
RFSy1	I/O	Receive Frame Sync (Serial port 1 individual from processor-A, -B, -C, -D).
FLAGy0	I/O/A	Flag Pins, <u>2</u> . (FLAG0 individual from processor-A, -B, -C, -D). Each is configured via control bits as either an input or output. As an input, it can be tested as a condition. As an output, it can be used to signal external peripherals.

STANDARD
MICROCIRCUIT DRAWING
DEFENSE SUPPLY CENTER COLUMBUS
COLUMBUS, OHIO 43216-5000

SIZE
A

5962-97507

REVISION LEVEL
A

SHEET
50

TABLE III. Pin functions - Continued.

Terminal symbol	Type 1/	Function
FLAG1	I/O/A	Flag Pins, 2/. (FLAG1 common to all processors). Configured by control bits internal to individual processors as either an input or output. As an input it can be tested as a condition. As an output, it can be used to signal external peripherals.
FLAGy2	I/O/A	FLAG Pins, 2/. (FLAG2 individual from processor-A, -B, -C, and -D). Each is configured by control bits as either an input or output. As an input, it can be tested as a condition. As an output, it can be used to signal external peripherals.
$\overline{\text{IRQ}}_{y2-0}$	I/A	Interrupt Request Lines. (Individual IRQ2-0 from y = processor-A, -B, -C, -D). May be either edge-triggered or level-sensitive.
$\overline{\text{DMAR}}_1$	I/A	DMA Request 1 (DMA Channel 7). Common to processor-A, -B, -C, -D.
$\overline{\text{DMAR}}_2$	I/A	DMA Request 1 (DMA Channel 8). Common to processor-A, -B, -C, -D.
$\overline{\text{DMAG}}_1$	O/T	DMA Grant 1 (DMA Channel 7). Common to processor-A, -B, -C, -D.
$\overline{\text{DMAG}}_2$	O/T	DMA Grant 2 (DMA Channel 8). Common to processor-A, -B, -C, -D.
LyxCLK	I/O	Link Port Clock (y = processor-A, -B, -C, -D; x = Link Ports 1, 3, 4), 3/. Each LyxCLK pin has a 50 kohm internal pull-up resistor which is enabled or disabled by the LPDRD bit of the LCOM register, of the processor.
LyxDAT3-0	I/O	Link Port Data (y = processor-A, -B, -C, -D; x = Link Ports 1, 3, 4), 3/. Each LyxDAT pin has a 50 kohm internal pull-up resistor which is enabled or disabled by the LPDRD bit of the LCOM register, of the processor.
LyxACK	I/O	Link Port Acknowledge (y = processor-A, -B, -C, -D; x = Link Ports 1, 3, 4), 3/. Each LyxACK pin has a 50 kohm internal pull-up resistor which is enabled or disabled by the LPDRD bit of the LCOM register, of the processor.
$\overline{\text{BMSA}}$	I/O/T 4/	Boot Memory Select. Output: Used as chip select for boot EPROM devices (when EBOOTA = 1, LBOOTA = 0). In a multiprocessor system, BMS is output by the bus master. Input: When low, indicates that no booting will occur and that processor-A will begin executing instructions from external memory. See table in note 4. This input is a system configuration selection which should be hardwired.
EBOOTA	I	EPROM Boot Select. (processor-A) When EBOOTA is high, processor-A is configured for booting from an 8-bit EPROM. When EBOOTA is low, the LBOOTA and BMSA inputs determine booting mode for processor-A. See table in note 4. This signal is a configuration selection which should be hardwired.
LBOOTA	I	Link Boot. When LBOOTA is high, processor-A is configured for link port booting. When LBOOTA is low, processor-A is configured for host processor booting or no booting. See table in note 4. This signal is a system configuration selection which should be hardwired.

STANDARD
MICROCIRCUIT DRAWING
DEFENSE SUPPLY CENTER COLUMBUS
COLUMBUS, OHIO 43216-5000

SIZE
A

5962-97507

REVISION LEVEL
A

SHEET
51

TABLE III. Pin functions - Continued.

Terminal symbol	Type 1/	Function
EBOOTBCD	I	EPROM Boot Select. (Common to processor-B, -C, -D). When EBOOTBCD is high, processor-B, -C, -D are configured for booting from an 8-bit EPROM. When EBOOTBCD is low, the LBOOTBCD and BMSBCD inputs determine booting mode for processor-B, -C, and -D. See table in note 4. This signal is a system configuration selection which should be hardwired.
LBOOTBCD	I	LINK Boot. (Common to processor-B, -C, -D). When LBOOTBCD is high, processor-B, -C, -D are configured for link port booting. When LBOOTBCD is low, multiprocessor-B, -C, -D are configured for host processor booting or no booting. See table in note 4. This signal is a system configuration selection which should be hardwired.
$\overline{\text{BMSBCD}}$	I/O/T 4/	Boot Memory Select. Output: Used as chip select for boot EPROM devices (when EBOOTBCD = 1, LBOOTBCD = 0). In a multiprocessor system, BMS is output by the bus master. Input: When low, indicates that no booting will occur and that processor-B, -C, -D will begin executing instructions from external memory. See table in note 4. This input is a system configuration selection which should be hardwired.
TIMEXPy	O	Timer Expired. (Individual TIMEEXP from y = processor-A, -B, -C, -D). Asserted for four cycles when the timer is enabled and t _{count} decrements to zero.
CLKIN	I	Clock In. (Common to all processors). External clock input to the module. The instruction cycle rate is equal to CLKIN. CLKIN may not be halted, changed, or operated below the minimum specified frequency.
$\overline{\text{RESET}}$	I/A	Module Reset. (Common to all processors). Resets the module to a known state. This input must be asserted (low) at power-up.
TCK	I	Test Clock (JTAG). (Common to all processors). Provides an asynchronous clock for JTAG boundary scan.
TMS	I/S	Test Mode Select (JTAG). (Common to all processors). Used to control the test state machine. TMS has four parallel 20 kohm internal pull-up resistors.
TDI	I/S	Test Data Input (JTAG). Provides serial data for the boundary scan logic chain starting at processor-A. TDI has a 20 kohm pull-up resistor.
TDO	O	Test Data Output (JTAG). Serial scan output of the boundary scan chain path, from processor-D.
$\overline{\text{TRST}}$	I/A	Test Reset (JTAG). Common to all processors). Resets the test state machine. $\overline{\text{TRST}}$ must be asserted (pulsed low) after power-up or held low for proper operation of the module. TRST has four parallel 20 kohm internal pull-up resistors.
$\overline{\text{EMU(O/D)}}$	O	Emulation Status. (Common to all processors). Pin 118 must be connected to the module's target board test connector only.
VDD	P	Power Supply. Nominally +3.3 V dc (26 pins).
GND	G	Power supply returns. The lid to the module is electrically connected to GND.

STANDARD
MICROCIRCUIT DRAWING
DEFENSE SUPPLY CENTER COLUMBUS
COLUMBUS, OHIO 43216-5000

SIZE
A

5962-97507

REVISION LEVEL
A

SHEET
52

TABLE III. Pin functions - Continued.

NOTES:

1/ Type: A = asynchronous, A/D = active drive, G = ground, I = input, O = output, O/D= open drain, P = power supply, S = synchronous, T = three state (when SBTS is asserted, or when the module is a bus slave).

Inputs identified as synchronous (S) must meet timing requirements with respect to CLKIN (or with respect to TCK for TMS, TDI). Inputs identified as asynchronous (A) can be asserted asynchronously to CLKIN(or to TCK for TRST).

Unused inputs should be tied or pulled to VDD or GND, except for ADDR31-0, DATA47-0, FLAG2-0, \overline{SW} , and inputs that have internal pull-up or pull-down resistors (CPA, ACK, Dtx, Drx, TCLKx, RCLKx, LxDAT3-0, LxCLK, LxACK, TMS, and TDI) - these pins can be left floating. These pins have a logic-level hold circuit that prevents the input from floating internally.

ID pins are hardwired internally.

2/ FLAG3 is connected internally, common to processor-A, -B, -C, and -D.

3/ LINK PORTS 0, 2, and 5 are connected internally between processors -A, -B, -C, and -D.

4/ Three statable only in EPROM boot mode (when \overline{BMS} is an output).

EBOOT	LBOOT	\overline{BMS}	Booting Mode
1	0	output	EPROM (connect \overline{BMS} to EPROM chip select)
0	0	1 (input)	Host processor
0	1	1 (input)	Link port
0	0	0 (input)	No booting. Processor executes from external memory.
0	1	0 (input)	Reserved
1	1	x (input)	Reserved

STANDARD MICROCIRCUIT DRAWING DEFENSE SUPPLY CENTER COLUMBUS COLUMBUS, OHIO 43216-5000	SIZE A		5962-97507
		REVISION LEVEL A	SHEET 53

STANDARD MICROCIRCUIT DRAWING SOURCE APPROVAL BULLETIN

DATE: 98-12-10

Approved sources of supply for SMD 5962-97507 are listed below for immediate acquisition only and shall be added to QML-38534 during the next revision. QML-38534 will be revised to include the addition or deletion of sources. The vendors listed below have agreed to this drawing and a certificate of compliance has been submitted to and accepted by DSCC-VA. This bulletin is superseded by the next dated revision of QML-38534.

Standard microcircuit drawing PIN <u>1/</u>	Vendor CAGE number	Vendor similar PIN <u>2/</u>
5962-9750701HXC	34031	AD14060LBF/QML-4
5962-9750702HXC	34031	AD14060LTF/QML-4

- 1/ The lead finish shown for each PIN, representing a hermetic package, is the most readily available from the manufacturer listed for that part. If the desired lead finish is not listed contact the Vendor to determine its availability.
- 2/ Caution. Do not use this number for item acquisition. Items acquired to this number may not satisfy the performance requirements of this drawing.

Vendor CAGE
number

34031

Vendor name
and address

Analog Devices Incorporated
7910 Triad Center Drive
Greenboro, NC 27409-9605

The information contained herein is disseminated for convenience only and the Government assumes no liability whatsoever for any inaccuracies in this information bulletin.