

uP1966E

Dual-Channel Gate Driver for Enhanced Mode GaN Transistors

General Description

The uP1966E is designed to drive both high-side and low-side GaN FETs in half bridge topologies. It integrates an internal bootstrap supply and UVLO. The uP1966E has split gate outputs that can operate to several MHz on both high and low side drive channels, providing the ability to adjust both turn-on and turn-off transition times independently. A clamping circuit is used on the high side drive to keep unwanted transients from damaging GaN device gates. The uP1966E has two PWM inputs that independently control high side and low side drive signals. The uP1966E is available in a 12-pin WLCSP package that minimizes package inductance for improved high-speed operation. The uP1966E comes in a 1.6mm WLCSP1.6x1.6-12B package.

Features

- ❑ **0.4Ω/0.7Ω Pull-Down/Pull-Up Resistance**
- ❑ **Fast Propagation Delays (20ns, Typical)**
- ❑ **Fast Rise and Fall Times (8ns/4ns, Typical)**
- ❑ **Adjustable Output for Turn-On/Turn-Off Ability**
- ❑ **CMOS Compatible Input Logic Threshold**
- ❑ **WLCSP 1.6x1.6-12B Package**
- ❑ **RoHS Compliant and Halogen Free**

Ordering Information

Order Number	Package Type	Top Marking
uP1966EFBB	WLCSP1.6x1.6-12B	WY

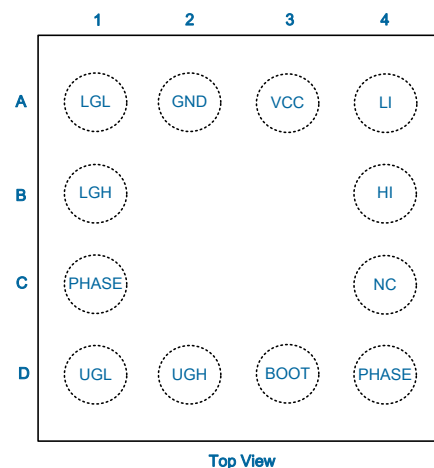
Note:

- (1) Please check the sample/production availability with uPI representatives.
- (2) uPI products are compatible with the current IPC/JEDEC J-STD-020 requirement. They are halogen-free, RoHS compliant and 100% matte tin (Sn) plating that are suitable for use in SnPb or Pb-free soldering processes.

Applications

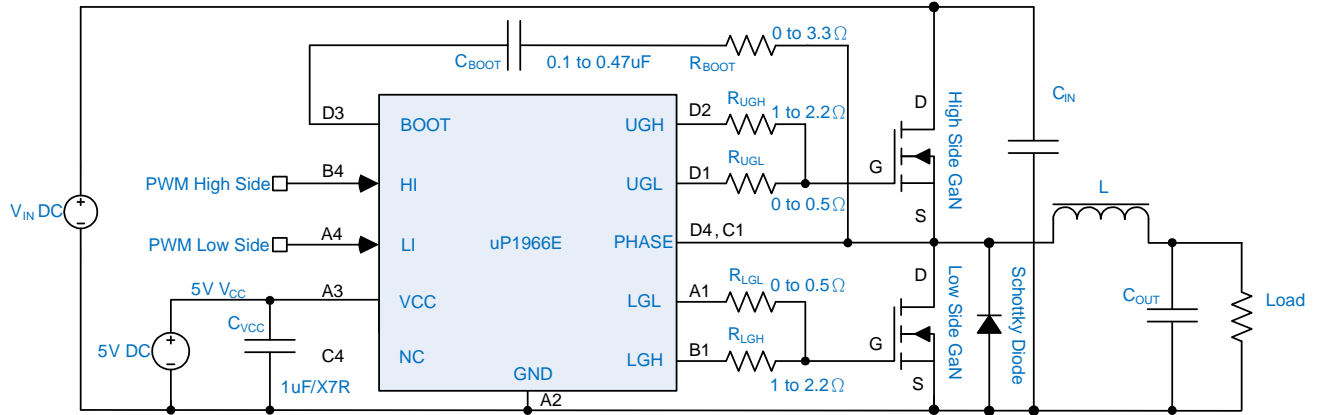
- ❑ **Half-Bridge and Full-Bridge Converters**
- ❑ **High Input Voltage Converters**

Pin Configuration



uP1966E

Typical Application Circuit



Note:

1. The external damp resistor of the driver makes the most appropriate selection based on different GaN FET.
2. The Schottky Diode is recommended and the reverse voltage of Schottky Diode is selected based on the GaN FET.

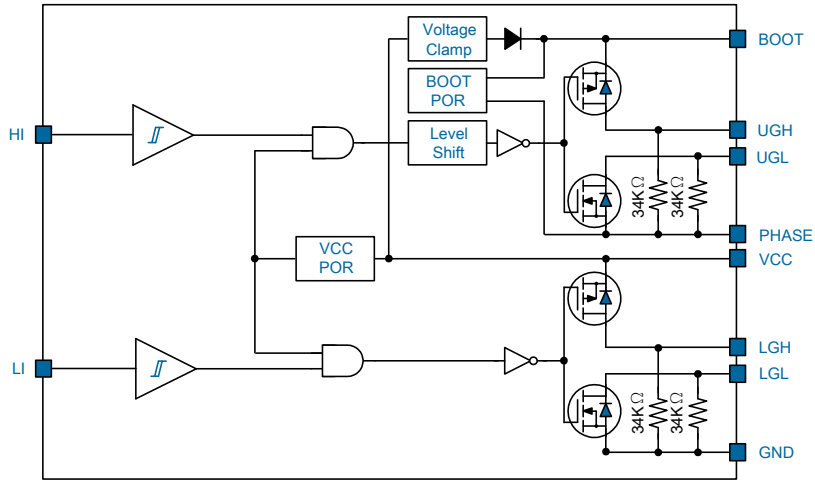
uP1966E

Functional Pin Description

Pin No.	Name	Pin Function
B4	HI	High Side Driver PWM Input. Connect this pin to the high side driver control PWM input.
A4	LI	Low Side Driver PWM Input. Connect this pin to the low side driver control PWM input.
A3	VCC	Supply Voltage for the IC. This pin provides bias voltage for the IC. Connect this pin to 5V voltage source with at least 1uF MLCC bypass capacitor.
C1,D4	PHASE	PHASE Switch Node. Connect this pin to the source of the upper GaN FET and the drain of the lower GaN FET. This pin is used as the return path for the UGATE driver.
D3	BOOT	Bootstrap Supply. For the floating upper gate driver. Connect the bootstrap capacitor C_{BOOT} between BOOT pin and PHASE pin to form a bootstrap circuit. The bootstrap capacitor provides the charge to turn on the upper GaN FET. Make sure that C_{BOOT} is placed near the IC.
D2	UGH	Upper Gate Driver Turn-On Output. Connect this pin to the gate of upper GaN FET. Use a resistor to set the turn-on speed.
D1	UGL	Upper Gate Driver Turn-Off Output. Connect this pin to the gate of upper GaN FET. Use a resistor to set the turn-off speed.
B1	LGH	Lower Gate Driver Turn-On Output. Connect this pin to the gate of lower GaN FET. Use a resistor to set the turn-on speed.
A1	LGL	Lower Gate Driver Turn-Off Output. Connect this pin to the gate of lower GaN FET. Use a resistor to set the turn-off speed.
A2	GND	Ground for the IC. All voltage levels are measured with respect to this pin.
C4	NC	Not Internally Connected.

uP1966E

Functional Block Diagram



uP1966E

Functional Description

Under Voltage Protection (UVLO)

When the uP1966E detects a starting threshold voltage level of 4.0V (typical) on a rising edge, the device will go from its 120uA quiescent current state to normal operation. The uP1966E will turn off after the input falls 0.35V below the starting threshold. A POR signal is initiated from the UVLO circuit that is used internally to assure that the output(s) will only function if the drive voltage levels are valid (~5V).

PWM Inputs

There are two non-inverting inputs, HI and LI, that control the two output channels of the uP1966E. Provided that a POR is granted, the HI PWM input at a logic high turns on the high-side gate driver output, UGH, turns off UGL. When the HI PWM input goes low the high-side gate driver output, UGL, and turns on, UGH turns off.

The LI PWM input at a logic high turns on the low-side gate driver output, LGH, turns off LGL. When the LI PWM input goes low the low-side gate driver output, LGL, and turns on, LGH turns off.

There is no lockout between HI and LI inputs: both GaN devices can be driven on at the same time.

If these inputs are not used they should be tied to ground. Although there is a 200kΩ resistor to ground on each PWM input under no circumstances should either of these inputs be allowed to float. Figure 1 shows the typical operation of the PWM Input in a synchronous regulator application. LI turns off, add delay time (a “dead time”) determined by external control then HI turns on. In reverse, HI turns off, add a delay time, and then LI turns on. The minimum delay time of 30ns is recommended for operation application.

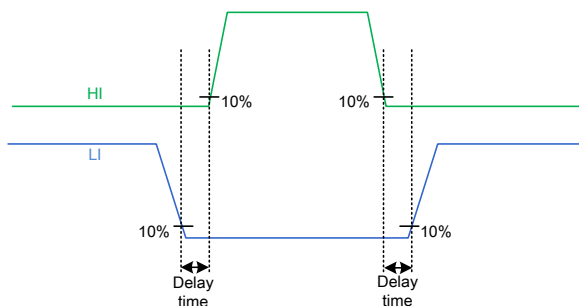


Figure 1. PWM Input Timing Diagram

High-Side Driver

The high-side driver is designed to “float” meaning that its reference (ground) floats with the PHASE pin of the uP1966E which is normally tied to the source of an N channel GaN FET. The bias voltage to the high-side driver is supplied to the BOOT pin through a bootstrap switch (diode) see Figure 2, so that a capacitor, C_{BOOT}, can be charged up each time the low side GaN device is turned on. As the high-side GaN FETs turns on PHASE rises to V_{IN}, forcing the BOOT pin voltage to V_{IN}+V_{CC} that provides a voltage to hold the high-side GaN FET on.

When the boot voltage on C_{BOOT} detects a starting threshold voltage level of 3.2V (typical) on a rising edge, the output will become active. The output will become inactive after the input falls 0.2V below the starting threshold.

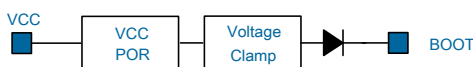


Figure 2. Bootstrap Switch Circuit

uP1966E

Functional Description

Low-Side Driver

The low-side driver is designed to drive a ground referenced GaN FET. The bias to the low-side driver is internally connected to VCC supply and GND.

Switching Timing Diagram

Figure 3 shows the definitions of the turn-on and turn-off propagation delay times. The interval between input signal and output signal is defined as match delay time.

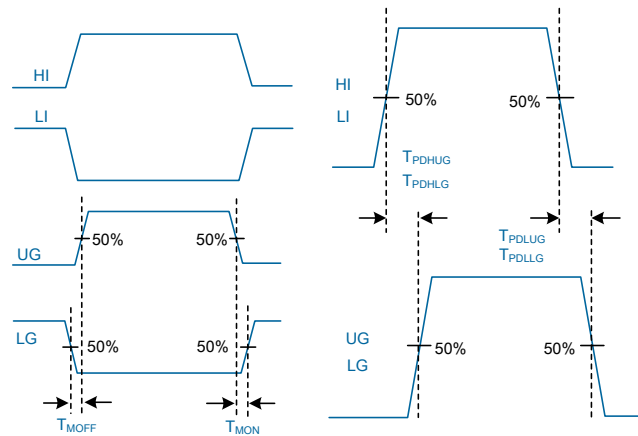


Figure 3. I/O Delay Time

uP1966E

Absolute Maximum Rating

(Note 1)

Supply Input Voltage, VCC	-----	-0.3V to +7V
BOOT to PHASE	-----	-0.3V to +7V
UGH, UGL	-----	(PHASE-0.3V) to (BOOT+0.3V)
LGH,LGL	-----	-0.3V to (VCC+0.3V)
HI, LI	-----	-0.3V to +7V
PHASE to GND	-----	-5V to +85V
BOOT to GND	-----	0V to +85V
Storage Temperature Range	-----	-55°C to +150°C
Junction Temperature	-----	150°C
ESD Rating (Note 2)		
HBM (Human Body Mode)	-----	±1kV
CDM (Charged Device Mode)	-----	±1kV

Thermal Information

Package Thermal Resistance (Note 3)

WLCSP1.6x1.6-12B θ_{JA}	-----	79.3°C/W
WLCSP1.6x1.6-12B θ_{JB}	-----	12°C/W
WLCSP1.6x1.6-12B θ_{JC}	-----	0.65W

Recommended Operation Conditions

(Note 4)

Operating Junction Temperature Range	-----	-40 °C to +125 °C
Supply Input Voltage, VCC	-----	+4.5V to +5.5V

Note 1. Stresses listed as the above *Absolute Maximum Ratings* may cause permanent damage to the device. These are for stress ratings. Functional operation of the device at these or any other conditions beyond those indicated in the operational sections of the specifications is not implied. Exposure to absolute maximum rating conditions for extended periods may remain possibility to affect device reliability.

Note 2. Devices are ESD sensitive. Handling precaution recommended.

Note 3. θ_{JA} is measured in the natural convection at $T_A = 25^\circ\text{C}$ on an area array surface mount package test boards of JEDEC 51-9 thermal measurement standard.

Note 4. The device is not guaranteed to function outside its operating conditions.

uP1966E

Electrical Characteristics

($V_{CC} = 5V$, $T_J = 25^\circ C$, unless otherwise specified)

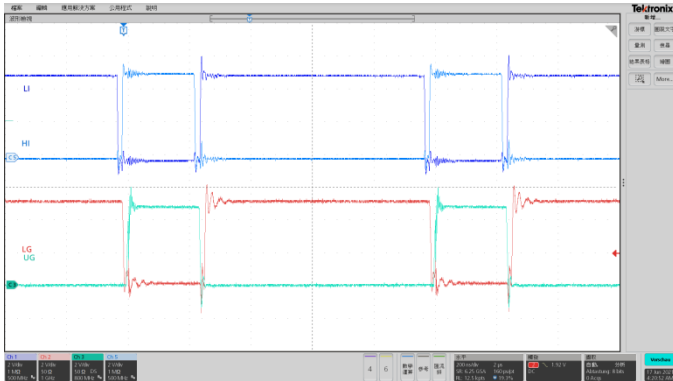
Parameter	Symbol	Test Conditions	Min	Typ	Max	Units
Supply Input						
Supply Current	I_{CC}	PWM = 0V, $V_{CC} = 5V$	--	120	--	uA
		$F_{SW} = 500kHz$, not output C_{LOAD}	--	4000	--	
VCC POR Rising Threshold	V_{CCRTH}	V_{CC} rising	3.8	4	4.2	V
VCC Threshold Hysteresis	V_{CCHYS}		--	0.35	--	V
PWM Input						
Input High Threshold	PWM_{RTH}		2.3	--	--	V
Input Low Threshold	PWM_{FTH}		--	--	0.5	V
Input Pull Down Resistance	R_I		--	200	--	k Ω
Input Voltage Hysteresis	V_{IHYS}		--	400	--	mV
Minimum Input Pulse Width That Changes the Output	T_{PW}	(*)	--	5	--	ns
Bootstrap Switch						
Low-Current Forward Voltage	V_{DL}	$I_{VCC-BOOT} = 100\mu A$	--	0.2	--	V
High-Current Forward Voltage	V_{DH}	$I_{VCC-BOOT} = 100mA$	--	0.9	--	V
Boot POR Rising Threshold	$V_{BOOTPOR}$		2.5	3.2	3.94	V
Boot POR Threshold Hysteresis	$V_{BOOTHYS}$		--	0.2	--	V
High Side Driver						
Output Resistance, Sourcing	R_{H_SRC}	$V_{BOOT} - V_{PHASE} = 5V$, $I_{UGATE} = 500mA$	--	0.7	1.4	Ω
Output Resistance, Sinking	R_{H_SNK}	$V_{BOOT} - V_{PHASE} = 5V$, $I_{UGATE} = -500mA$	--	0.4	0.8	Ω
Output Rising Time	T_{RUGATE}	$V_{BOOT} - V_{PHASE} = 5V$, $C_{LOAD} = 3000pF$	--	8	10	ns
Output Falling Time	T_{FUGATE}	$V_{BOOT} - V_{PHASE} = 5V$, $C_{LOAD} = 3000pF$	--	4	6	ns
Rising Propagation Delay Time	T_{PDHUG}	$V_{BOOT} - V_{PHASE} = 5V$	--	20	25	ns
Falling Propagation Delay Time	T_{PDLUG}	$V_{BOOT} - V_{PHASE} = 5V$	--	20	25	ns
Low Side Driver						
Output Resistance, Sourcing	R_{L_SRC}	$V_{CC} = 5V$, $I_{LGATE} = 500mA$	--	0.7	1.4	Ω
Output Resistance, Sinking	R_{L_SNK}	$V_{CC} = 5V$, $I_{LGATE} = -500mA$	--	0.4	0.8	Ω
Output Rising Time	T_{RLGATE}	$V_{CC} = 5V$, $C_{LOAD} = 3000pF$	--	8	10	ns
Output Falling Time	T_{FLGATE}	$V_{CC} = 5V$, $C_{LOAD} = 3000pF$	--	4	6	ns
Rising Propagation Delay Time	T_{PDHLG}	$V_{CC} = 5V$	--	20	25	ns
Falling Propagation Delay Time	$T_{PDL LG}$	$V_{CC} = 5V$	--	20	25	ns
Match Delay Time						
Delay Matching LG On & UG Off	T_{MON}		--	1.5	6	ns
Delay Matching LG Off & UG On	T_{MOFF}		--	1.5	6	ns

Note 1: Guaranteed by design but not tested in production.

uP1966E

Typical Operation Characteristics

Driver Input and Output

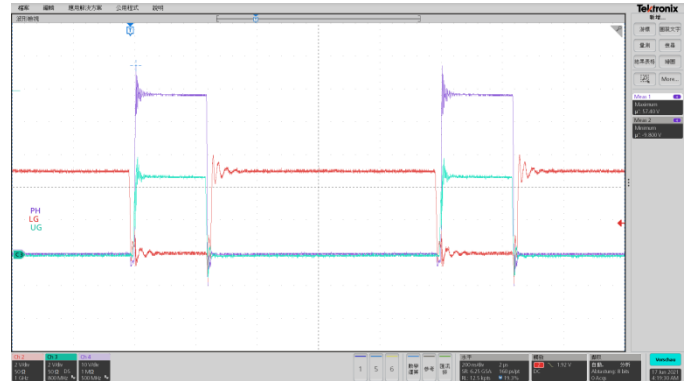


Time: 200ns/Div

CH1:LI (2V/Div),CH2:LG(2V/Div),CH3:UG(2V/Div),CH5:HI(2V/Div)

Input Voltage=48V, 1-MHz, Load Current=10A, CLoad=600pF

Driver Output and PHASE-Node

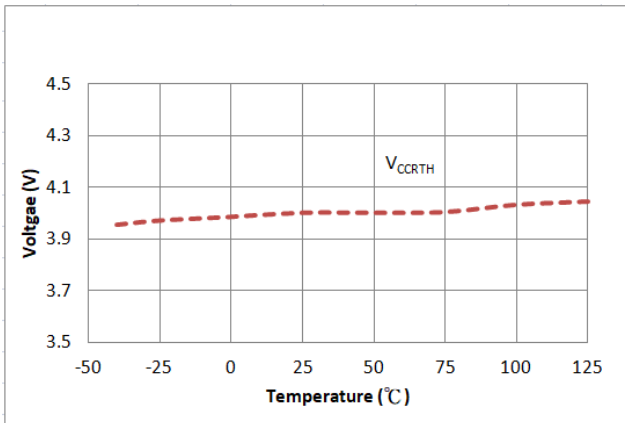


Time:200ns/Div

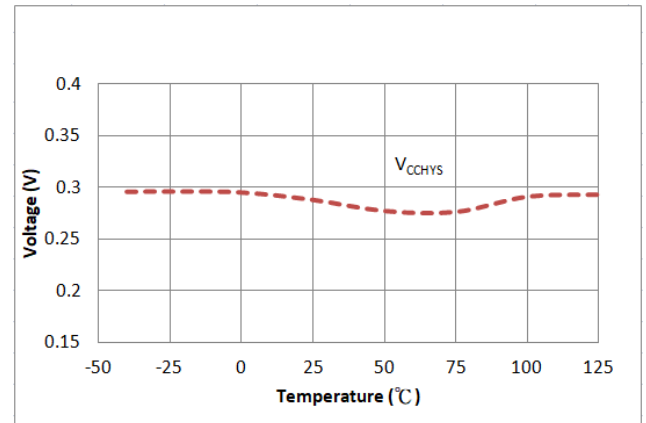
CH2:LG(2V/Div),CH3:UG(2V/Div),CH4:PHASE(10V/Div)

Input Voltage=48V, 1-MHz, Load Current=10A, CLoad=600pF

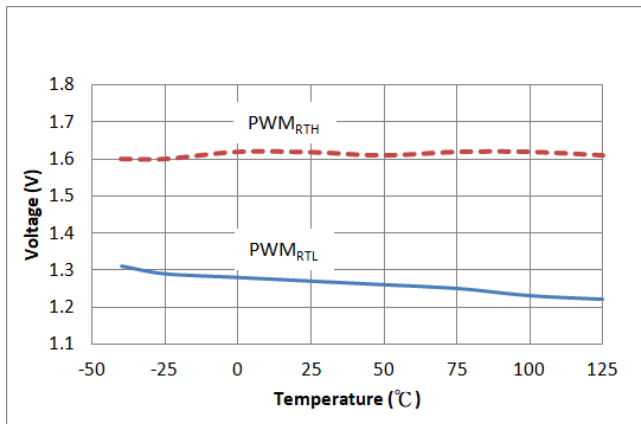
VCC POR Rising Thresholds vs Temperature



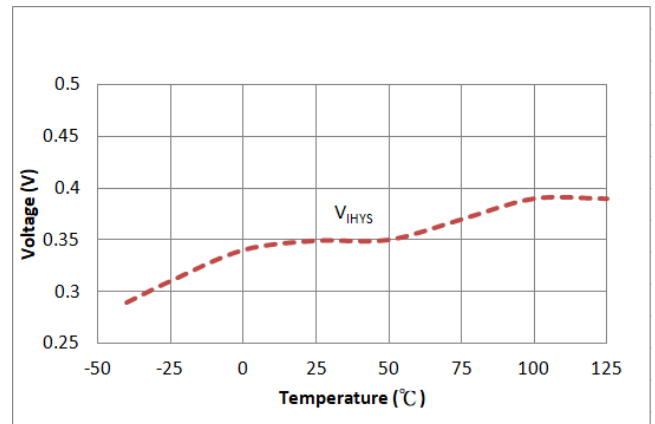
VCC POR HYS Thresholds vs Temperature



Input Thresholds vs Temperature



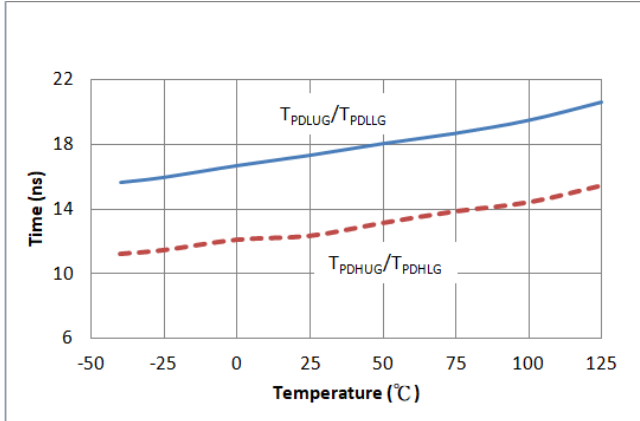
Input Threshold Hysteresis vs Temperature



uP1966E

Typical Operation Characteristics

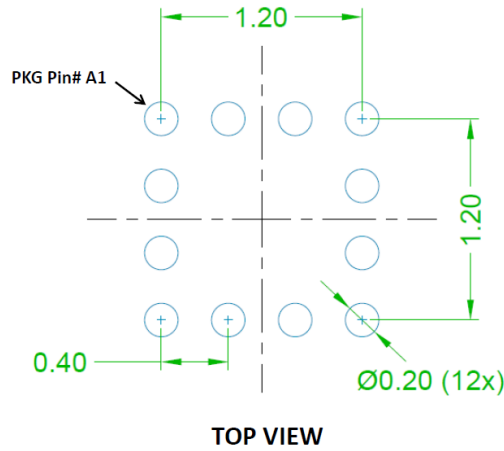
Propagation Delay vs. Temperature



uP1966E

Application Information

Recommended Land Pattern



Layout Recommendation

The GaN FETs feature a small gate capacitance and a small miller capacitance to operate with fast-speed switching and high dv/dt and high di/dt . Care must be taken with a gate threshold voltage to avoid over voltage condition. Therefore, the circuit layout is crucial to the optimal performance. Figure 4 and Figure 5 show the reference PCB layout for uP1966E.

The layout guidelines are as follows:

1. The driver controls charging and discharging of the gate of GaN FET. It may produce high peak charge and discharge current. The driver must be placed close to the GaN FETs. This design layout minimizes the loops of parasitic inductance and reduces the noise on the gate loop of the driver to GaN FETs.
2. The bootstrap capacitor is recharged from VCC voltage through bootstrap diode to the reference ground of VCC capacitor. The high peak current may occur during recharging time; therefore, minimizing the distance between C_{BOOT} and C_{VCC} to the driver is recommended and C_{BOOT} and C_{VCC} should be placed on the same side as the driver.
3. The driver turns off the layout path to GaN FETs and causes parasitic inductance, driver pull-down goes along the control loop the gate capacitor, and it produced an RLC resonant tank, resulting in gate voltage oscillations. The gate loop of driver selects a suitable resistor to damp the ringing.
4. In order to avoid the parasitic inductance between high-side GaN FET and low-side GaN FET in series, which induces excessive negative voltage to the driver, it is recommended to minimize the distance between high-side GaN FET and low-side GaN FET.

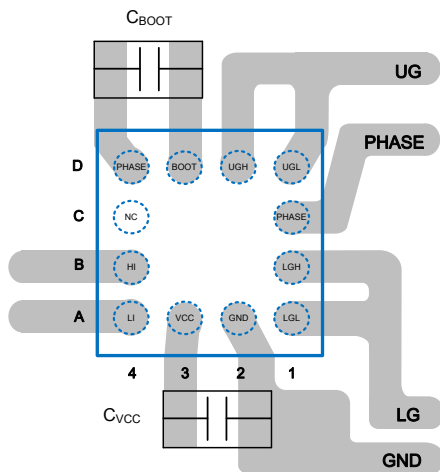


Figure 4. Layout Example without Damp Resistors

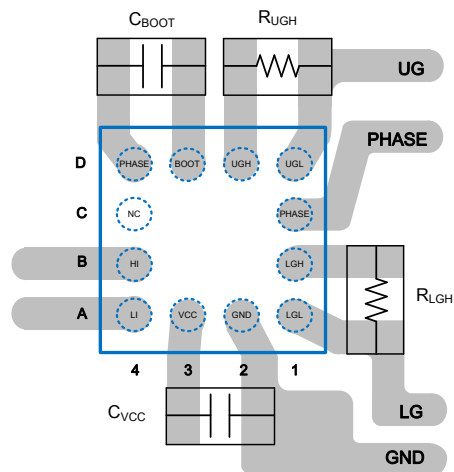
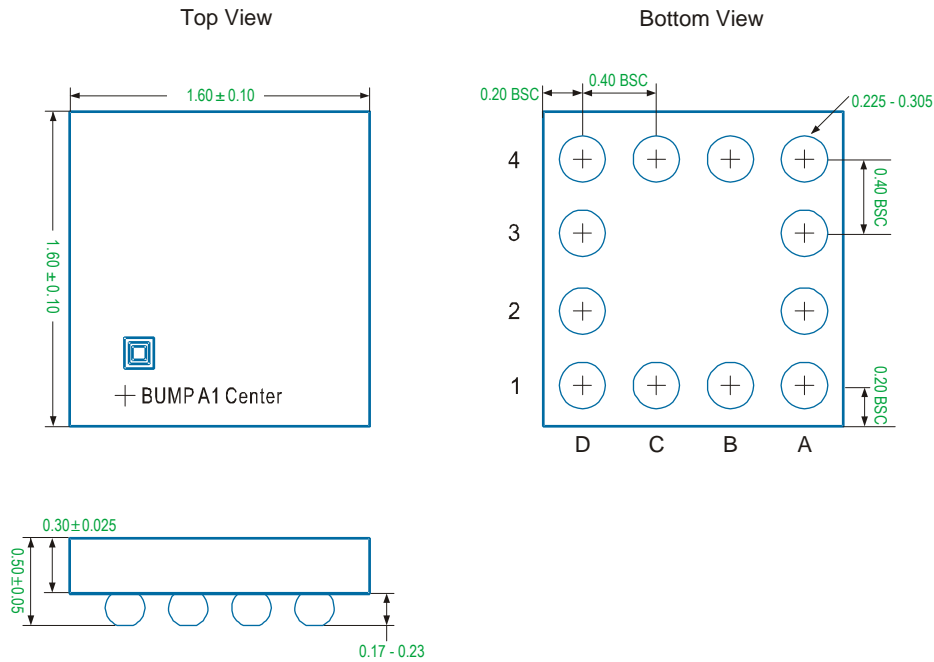


Figure 5. Layout Example with Source Damp Resistors

uP1966E

Package Information

WLCSP1.6x1.6-12B



Note

- Package Outline Unit Description:
 MIN: Minimum dimension specified.
 NOM: Nominal. Provided as a general value.
 MAX: Maximum dimension specified.
 BSC: Basic. Represents theoretical exact dimension or dimension target.
 REF: Reference. Represents dimension for reference use only. This value is not a device specification.
- Dimensions in Millimeters.
- Drawing not to scale.
- These dimensions do not include mold flash or protrusions. Mold flash or protrusions shall not exceed 0.15mm.

Legal Notice

The contents of this document are provided in connection with uPI Semiconductor Corp. (“uPI”) products. uPI makes no representations or warranties with respect to the accuracy or completeness of the contents of this publication and reserves the right to make changes to specifications and product descriptions at any time without notice.

No license, whether express, implied, arising by estoppels or otherwise, to any intellectual property rights, is granted by this publication. Except as provided in uPI’s terms and conditions of sale for such products, uPI assumes no liability whatsoever, and uPI disclaims any express or implied warranty relating to sale and/or use of uPI products, including liability or warranties relating to fitness for a particular purpose, merchantability, or infringement of any patent, copyright or other intellectual property right. uPI products are not designed, intended, authorized or warranted for use as components in systems intended for medical, life-saving, or life sustaining applications. uPI reserves the right to discontinue or make changes to its products at any time without notice.

Copyright 2021 ©, uPI Semiconductor Corp. All rights reserved.
uPI, uPI design logo, and combinations thereof, are registered trademarks of
uPI Semiconductor Corp.

Other product names used in this publication are for identification purposes only and may be trademarks of their respective companies.

For more product support, please refer to the contact in your location:

Asia



uPI Semiconductor Corp.
9F.,No.5, Taiyuan 1st St.
Zhubei City, Hsinchu, Taiwan
TEL : 886.3.560.1666 FAX :886.3.560.1
sales@upi-semi.com

America and Europe



Efficient Power Conversion Corporation
909 N. Pacific Coast Highway, Suite 230
El Segundo, CA90245, USA
info@epc-co.com