



8254 PROGRAMMABLE INTERVAL TIMER

- **Compatible with All Intel and Most Other Microprocessors**
- **Handles Inputs from DC to 10 MHz**
 - 8 MHz 8254
 - 10 MHz 8254-2
- **Status Read-Back Command**
- **Six Programmable Counter Modes**
- **Three Independent 16-Bit Counters**
- **Binary or BCD Counting**
- **Single +5V Supply**
- **Available in EXPRESS**
 - Standard Temperature Range

The Intel 8254 is a counter/timer device designed to solve the common timing control problems in microcomputer system design. It provides three independent 16-bit counters, each capable of handling clock inputs up to 10 MHz. All modes are software programmable. The 8254 is a superset of the 8253.

The 8254 uses HMOS technology and comes in a 24-pin plastic or CERDIP package.

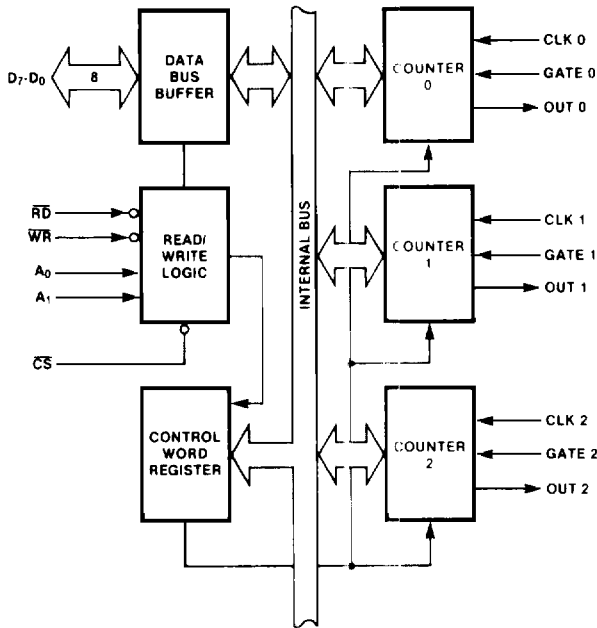


Figure 1. 8254 Block Diagram

231164-1

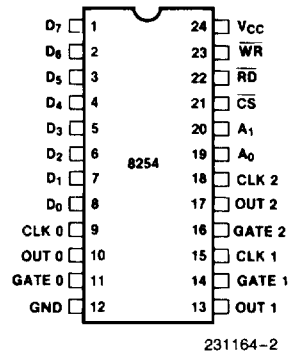


Figure 2. Pin Configuration



The complete document for this product is available on Intel's "Data-on-Demand" CD-ROM product. Contact your local Intel field sales office, Intel technical distributor, or call 1-800-548-4725.

September 1993
Order Number: 231164-005