



SANYO Semiconductors

DATA SHEET

STK433-270-E

Thick-Film Hybrid IC
— 3-channel class AB audio power IC,
60W×3ch

Overview

The STK433-270-E is a hybrid IC designed to be used in 60W × 3ch class AB audio power amplifiers.

Applications

- Audio power amplifiers.

Features

- Pin-to-pin compatible outputs ranging from 40W to 60W.
- Can be used to replace the STK433-000/-100 series (30W to 150W × 2ch) and STK433-300 series (80W to 150W × 3ch) due to its pin compatibility.
- Miniature package (67.0mm × 25.6mm × 9.0mm)
- Output load impedance: $R_L = 6\Omega$ to 4Ω supported
- Allowable load shorted time: 0.3 second
- Allows the use of predesigned applications for standby and mute circuits.

Series Models

	STK433-240A-E	STK433-260A-E	STK433-270-E
Output 1 (10%/1kHz)	40W×3ch	50W×3ch	60W×3ch
Output 2 (0.6%/20Hz to 20kHz)	25W×3ch	35W×3ch	40W×3ch
Maximum rating V_{CC} max (quiescent)	±38V	±46V	±50V
Maximum rating V_{CC} max (6 Ω)	±36V	±40V	±44V
Maximum rating V_{CC} max (4 Ω)	±30V	±33V	±38V
Recommended operating V_{CC} (6 Ω)	±24V	±27V	±29V
Dimensions (excluding pin height)	67.0mm×25.6mm×9.0mm		

■ Any and all SANYO Semiconductor Co.,Ltd. products described or contained herein are, with regard to "standard application", intended for the use as general electronics equipment (home appliances, AV equipment, communication device, office equipment, industrial equipment etc.). The products mentioned herein shall not be intended for use for any "special application" (medical equipment whose purpose is to sustain life, aerospace instrument, nuclear control device, burning appliances, transportation machine, traffic signal system, safety equipment etc.) that shall require extremely high level of reliability and can directly threaten human lives in case of failure or malfunction of the product or may cause harm to human bodies, nor shall they grant any guarantee thereof. If you should intend to use our products for applications outside the standard applications of our customer who is considering such use and/or outside the scope of our intended standard applications, please consult with us prior to the intended use. If there is no consultation or inquiry before the intended use, our customer shall be solely responsible for the use.

■ Specifications of any and all SANYO Semiconductor Co.,Ltd. products described or contained herein stipulate the performance, characteristics, and functions of the described products in the independent state, and are not guarantees of the performance, characteristics, and functions of the described products as mounted in the customer's products or equipment. To verify symptoms and states that cannot be evaluated in an independent device, the customer should always evaluate and test devices mounted in the customer's products or equipment.

STK433-270-E

Specifications

Absolute Maximum Ratings at Ta = 25°C (excluding rated temperature items), Tc=25°C unless otherwise specified

Parameter	Symbol	Conditions	Ratings	Unit
Maximum power supply voltage 0	V _{CC} max (0)	Non signal	±50	V
Maximum power supply voltage 1	V _{CC} max (1)	R _L ≥6Ω	±44	V
Maximum power supply voltage 2	V _{CC} max (2)	R _L =4Ω	±38	V
Minimum operating supply voltage	V _{CC} min		±10	V
Pin 13 input voltage	VST max		-0.3 to +5.5	V
Thermal resistance	θj-c	Per power transistor	3.5	°C/W
Junction temperature	Tj max	Both the Tj max and Tc max conditions must be met.	150	°C
Operating substrate temperature	Tc max		125	°C
Storage temperature	Tstg		-30 to +125	°C
Available time for load short-circuit *4	ts	V _{CC} =±29V, R _L =6Ω, f=50Hz, P _O =40W, 1-channel drive	0.3	s

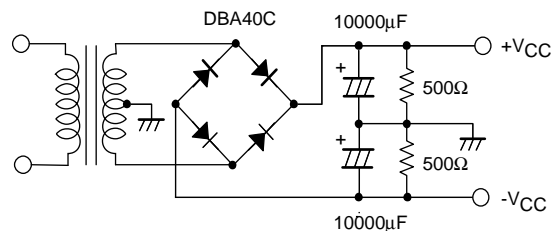
Operating Characteristics at Tc=25°C, R_L=6Ω, Rg=600Ω, VG=30dB, non-inductive load R_L, unless otherwise specified

Parameter	Symbol	Conditions *2					Ratings			unit
		V _{CC} (V)	f (Hz)	P _O (W)	THD (%)		min	typ	max	
Output power *1	P _O (1)	±29	20 to 20k		0.6		38	40		W
	P _O (2)	±29.5	1k		10			60		
	P _O (3)	±26	1k		1	R _L =4Ω		40		
Total harmonic distortion *1	THD (1)	±29	20 to 20k	5.0					0.6	%
	THD (2)	±29	1k					0.1		
Frequency characteristics *1	f _L , f _H	±29		1.0		+0 -3dB	20 to 50k			Hz
Input impedance	ri	±29	1k	1.0				55		kΩ
Output noise voltage *3	V _{NO}	±35				Rg=2.2kΩ			1.0	mVrms
Quiescent current	I _{CCO}	±35				No loading	30	70	120	mA
Standby current	I _{CST}	±35							1.0	mA
Output neutral voltage	V _N	±35					-70	0	+70	mV
Pin 13 voltage when standby ON *7	VST ON	±29				Standby		0	0.6	V
Pin 13 voltage when standby OFF *7	VST OFF	±29				Operating	2.5		5.5	V

[Remarks]

- *1: For 1-channel operation
- *2: Unless otherwise specified, use a constant-voltage power supply to supply power when inspections are carried out.
- *3: The output noise voltage values shown are peak values read with a VTVM. However, an AC stabilized (50Hz) power supply should be used to minimize the influence of AC primary side flicker noise on the reading.
- *4: Use the transformer power supply circuit shown in the figure below for allowable load shorted time and output noise voltage measurement.
- *5: Please connect -PreV_{CC} pin (#1 pin) with the stable minimum voltage, and connect so that current does not flow in by reverse bias.
- *6: Thermal design must be implemented based on the conditions under which the customer's end products are expected to operate on the market.
- *7: The impression voltage of '#13 (Stand-By) pin' must not exceed the maximum rating. Power amplifier operate by impressing voltage +2.5 to +5.5V to '#13 (Stand-By) pin'.
- *8: A thermoplastic adhesive is used to adhere the case.

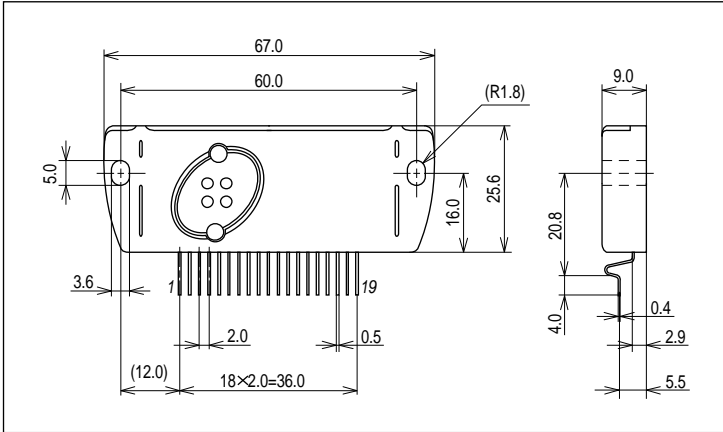
Designated transformer power supply (MG-200 equivalent)



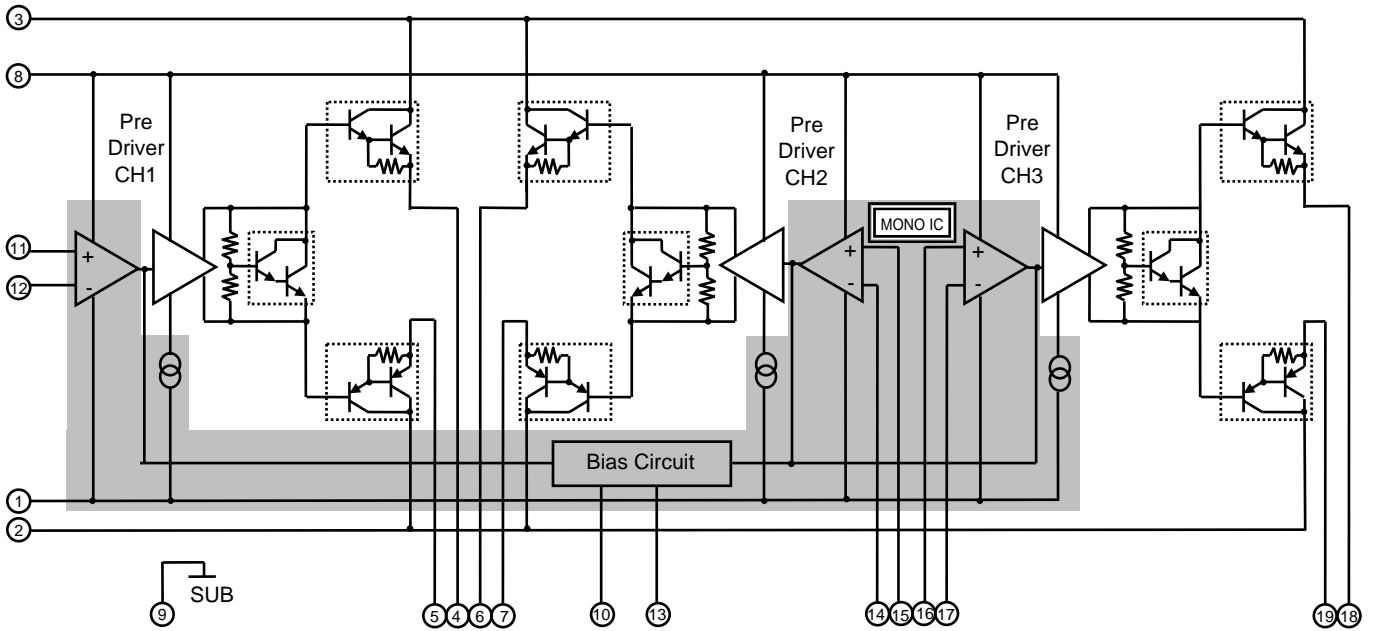
STK433-270-E

Package Dimensions

unit:mm (typ)

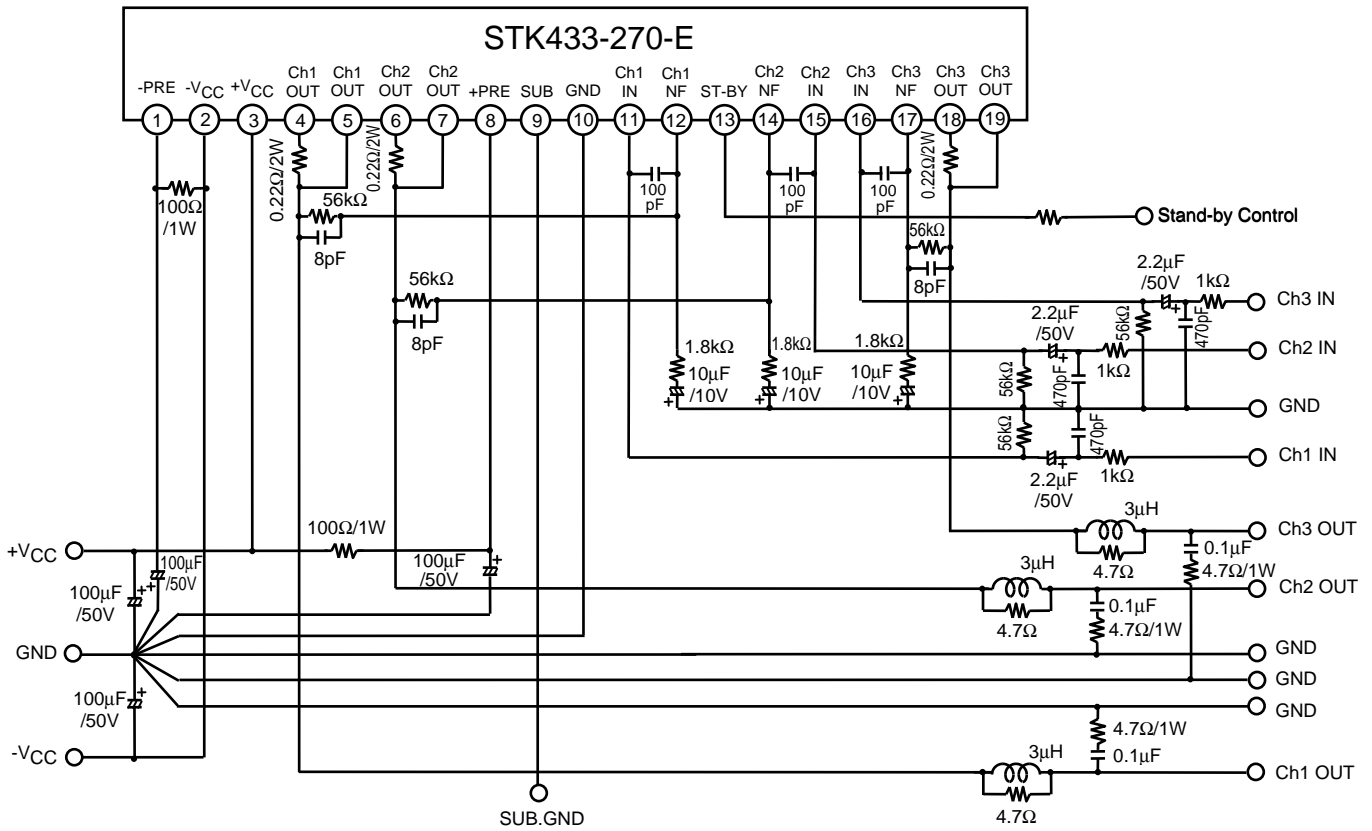


Internal Equivalent Circuit

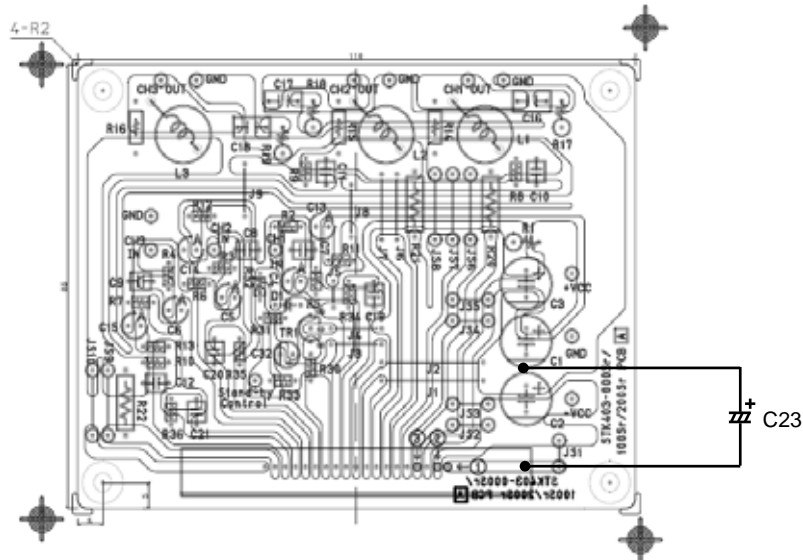


STK433-270-E

Test Circuit



Sample PCB Trace Pattern



STK433-270-E

STK433-200-ESr PCB PARTS LIST

Location No.	PARTS	RATING	Component		
			STK433-200-E Series (3ch)		
			-240A	-260A	-270
Hybrid IC #1 Pin Position	-	-	①		
R01	ERG1SJ101	100Ω, 1W	○	○	○
R02, R03, R04	RN16S102FK	1kΩ, 1/6W	○	○	○
R05, R06, R08, R09, R07, R10	RN16S563FK	56kΩ, 1/6W	○	○	○
R11, R12, R13	RN16S182FK	1.8kΩ, 1/6W	○	○	○
R14, R15, R16	RN14S4R7FK	4.7Ω, 1/4W	○	○	○
R17, R18, R19	ERX1SJ4R7	4.7Ω, 1W	○	○	○
R20, R21, R22	ERX2SJR22	0.22Ω, 2W	short	○	○
C01, C02, C03, C23 (*2)	100MV100HC	100μF, 100V	○	○	○
C04, C05, C06 (*1)	50MV2R2HC	2.2μF, 50V	○	○	○
C07, C08, C09	DD104-63B471K50	470pF, 50V	○	○	○
C10, C11, C12	DD104-63CJ0*0C50	*pF, 50V	3pF	3pF	8pF
C13, C14, C15 (*1)	10MV10HC	10μF, 10V	○	○	○
C16, C17, C18	ECQ-V1H104JZ	0.1μF, 50V	○	○	○
C19, C20, C21	DD104-63B101K50	100pF, 50V	○	○	○
R34, R35, R36	-	-	short	short	short
L01, L02, L03	-	3μH	○	○	○
Stand-By Control Circuit	Tr1	2SC3332 (Reference)	$V_{CE} \geq 50V, I_C \geq 1mA$		
	D1	GMB01 (Reference)	Di		
	R30	RN16S272FK	2.7kΩ, 1/6W	○	○
	R31	RN16S333FK	33kΩ, 1/6W	○	○
	R32	RN16S102FK	1kΩ, 1/6W	○	○
	R33	RN16S202FK	2kΩ, 1/6W	○	○
	C32	10MV33HC	33μF, 10V	○	○
J1, J2, J3, J4, J5, J6, J8, J9	-	-	○	○	○
J7, JS2, JS3, JS4, JS5, JS7, JS8, JS9	-	-	-	-	-
JS6, JS10	-	-	○	○	○
JS1	ERG1SJ101	100Ω, 1W	○	○	○

(*1) Capacitor mark "A" side is "-" (negative).

(*2) Add parts C23 to the other side of PCB.

STK433-270-E

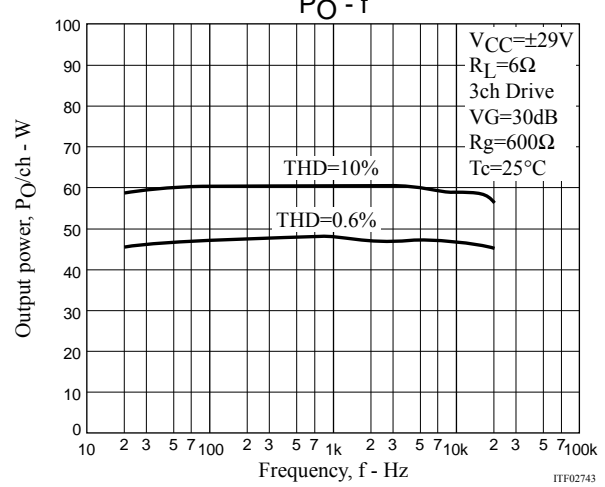
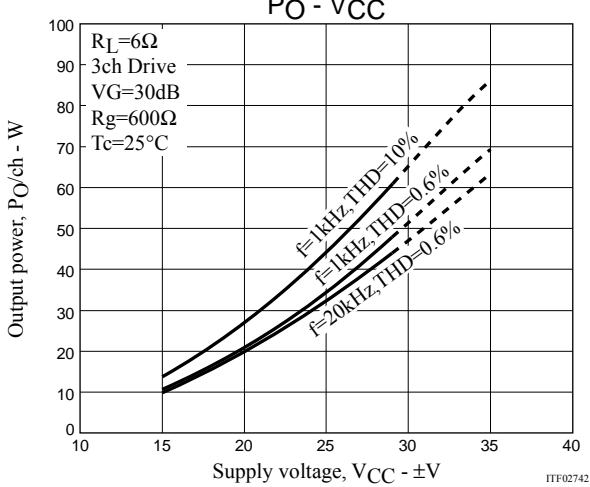
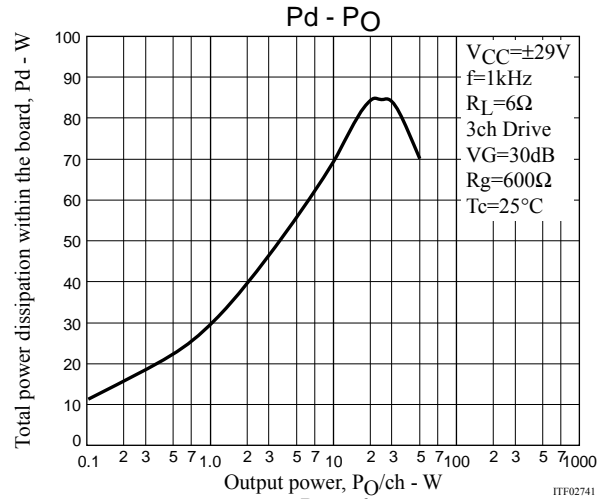
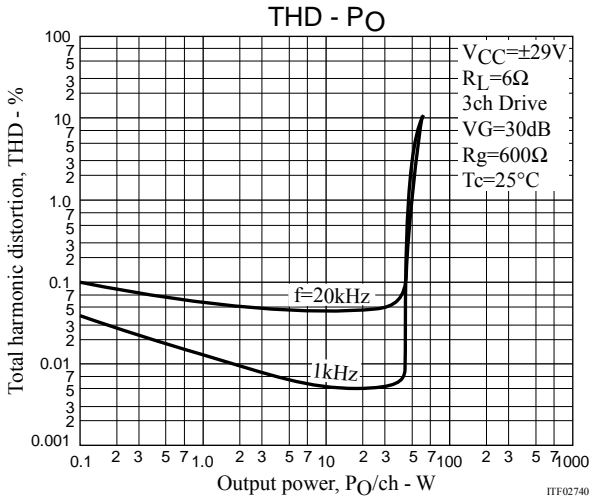
Pin Assignments

[STK433-000/-100/-200Sr & STK415/416-100Sr Pin Layout]

2-channel class-AB	1 2 3 4 5 6 7 8 9 10 11 12 13 14 15																						
	2-channel class AB/2.00mm																						
STK433-030-E 30W/JEITA STK433-040-E 40W/JEITA STK433-060-E 50W/JEITA STK433-070-E 60W/JEITA STK433-090-E 80W/JEITA STK433-100-E 100W/JEITA STK433-120-E 120W/JEITA STK433-130-E 150W/JEITA		- P R E	- V C C	+ V C C	O U T C H 1 +	O U T C H 1 -	O U T C H 2 +	O U T C H 2 -	+P R E	S U B • G N D	G N D	I N C H 1	N F C H 1	S T A N D B Y	N F C H 2	I N C H 2							
3-channel class-AB	1 2 3 4 5 6 7 8 9 10 11 12 13 14 15 16 17 18 19																						
	3-channel class AB/2.00mm																						
STK433-240A-E 40W/JEITA STK433-260A-E 50W/JEITA STK433-270-E 60W/JEITA STK433-290-E 80W/JEITA STK433-300-E 100W/JEITA STK433-320-E 120W/JEITA STK433-330-E 150W/JEITA		- P R E	- V C C	+ V C C	O U T C H 1 +	O U T C H 1 -	O U T C H 2 +	O U T C H 2 -	+P R E	S U B • G N D	G N D	I N C H 1	N F C H 1	S T A N D B Y	N F C H 2	I N C H 2	I N C H 3	N F C H 3	O U T C H 3 +	O U T C H 3 -			
2-channel class-H	1 2 3 4 5 6 7 8 9 10 11 12 13 14 15 16 17 18 19																						
	2-channel class H/2.00mm																						
STK415-090-E 80W/JEITA STK415-100-E 90W/JEITA STK415-120-E 120W/JEITA STK415-130-E 150W/JEITA STK415-140-E 180W/JEITA	+ V L	- V L	+ O F F S E T	- O F F S E T	- P R E	- V H	+ V H	O U T C H 1 +	O U T C H 1 -	O U T C H 2 +	O U T C H 2 -	+P R E	S U B • G N D	G N D	I N C H 1	N F C H 1	S T A N D B Y	N F C H 2	I N C H 2				
3-channel class-H	1 2 3 4 5 6 7 8 9 10 11 12 13 14 15 16 17 18 19 20 21 22 23																						
	3-channel class H/2.00mm																						
STK416-100-E 90W/JEITA STK416-120-E 120W/JEITA STK416-130-E 150W/JEITA	+ V L	- V L	+ O F F S E T	- O F F S E T	- P R E	- V H	+ V H	O U T C H 1 +	O U T C H 1 -	O U T C H 2 +	O U T C H 2 -	+P R E	S U B • G N D	G N D	I N C H 1	N F C H 1	S T A N D B Y	N F C H 2	I N C H 2	I N C H 3	N F C H 3	O U T C H 3 +	O U T C H 3 -

STK433-270-E

Evaluation Board Characteristics



[Thermal Design Example for STK433-270-E (R_L = 6Ω)]

The thermal resistance, θ_{c-a}, of the heat sink for total power dissipation, P_d, within the hybrid IC is determined as follows.

Condition 1: The hybrid IC substrate temperature, T_c, must not exceed 125°C.

$$P_d \times \theta_{c-a} + T_a < 125^\circ\text{C} \dots\dots\dots (1)$$

T_a: Guaranteed ambient temperature for the end product

Condition 2: The junction temperature, T_j, of each power transistor must not exceed 150°C.

$$P_d \times \theta_{c-a} + P_d/N \times \theta_{j-c} + T_a < 150^\circ\text{C} \dots\dots\dots (2)$$

N: Number of power transistors

θ_{j-c}: Thermal resistance per power transistor

However, the power dissipation, P_d, for the power transistors shall be allocated equally among the number of power transistors.

The following inequalities result from solving equations (1) and (2) for θ_{c-a}.

$$\theta_{c-a} < (125 - T_a)/P_d \dots\dots\dots (1)'$$

$$\theta_{c-a} < (150 - T_a)/P_d - \theta_{j-c}/N \dots\dots\dots (2)'$$

Values that satisfy these two inequalities at the same time represent the required heat sink thermal resistance.

When the following specifications have been stipulated, the required heat sink thermal resistance can be determined from formulas (1)' and (2)' .

- Supply voltage V_{CC}
- Load resistance R_L
- Guaranteed ambient temperature T_a

STK433-270-E

[Example]

When the IC supply voltage, V_{CC} , is $\pm 29V$ and R_L is 6Ω , the total power dissipation, P_d , within the hybrid IC, will be a maximum of $105W$ at $1kHz$ for a continuous sine wave signal according to the P_d-P_O characteristics. For the music signals normally handled by audio amplifiers, a value of $1/8P_O$ max is generally used for P_d as an estimate of the power dissipation based on the type of continuous signal. (Note that the factor used may differ depending on the safety standard used.)

This is:

$$P_d \approx 75.0W \quad (\text{when } 1/8P_O \text{ max.} = 5W, P_O \text{ max.} = 40W).$$

The number of power transistors in audio amplifier block of these hybrid ICs, N , is 6, and the thermal resistance per transistor, θ_{j-c} , is $3.5^\circ C/W$. Therefore, the required heat sink thermal resistance for a guaranteed ambient temperature, T_a , of $50^\circ C$ will be as follows.

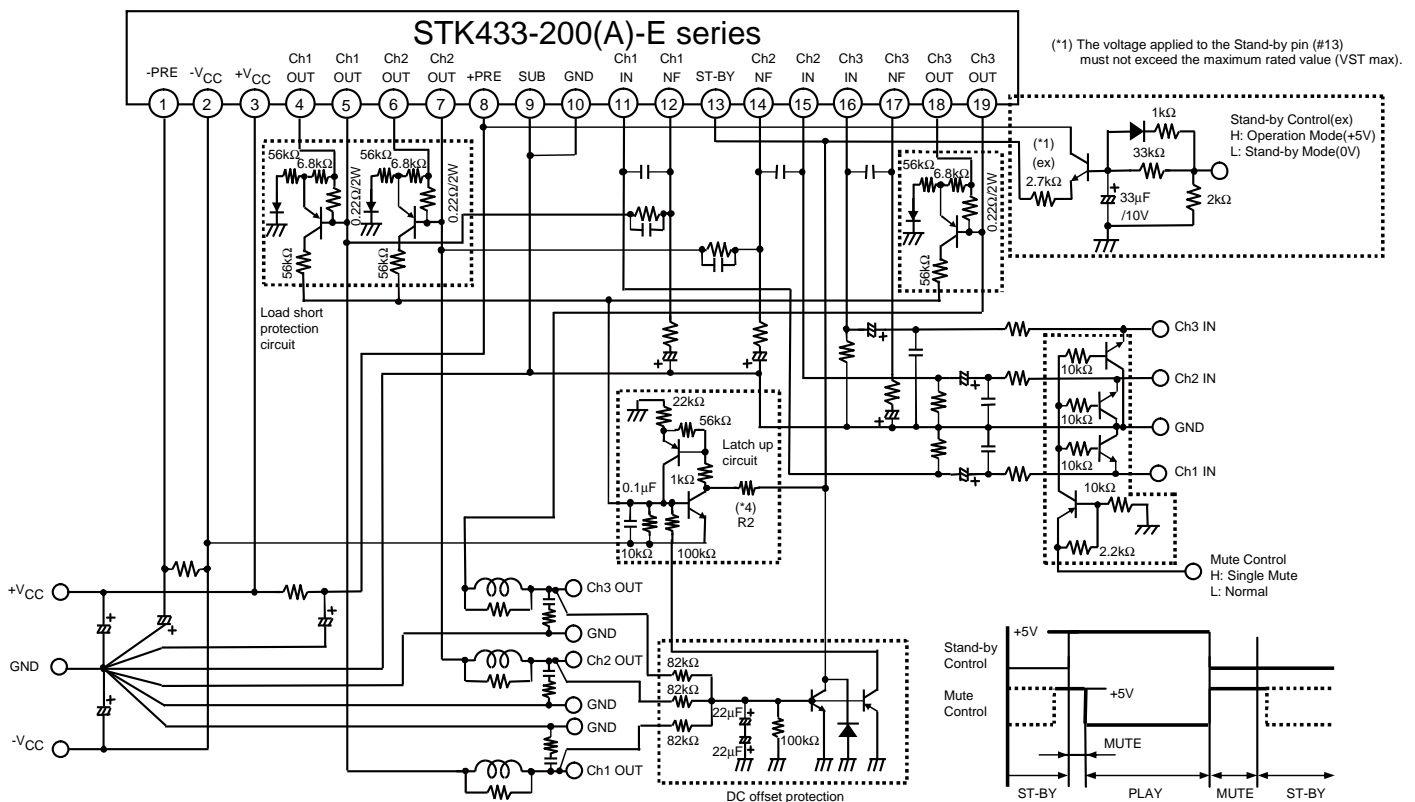
$$\text{From formula (1)'} \quad \theta_{c-a} < (125 - 50)/75.0 < 1.00$$

$$\text{From formula (2)'} \quad \theta_{c-a} < (150 - 50)/75.0 - 3.5/6 < 0.75$$

Therefore, the value of $0.75^\circ C/W$, which satisfies both of these formulae, is the required thermal resistance of the heat sink.

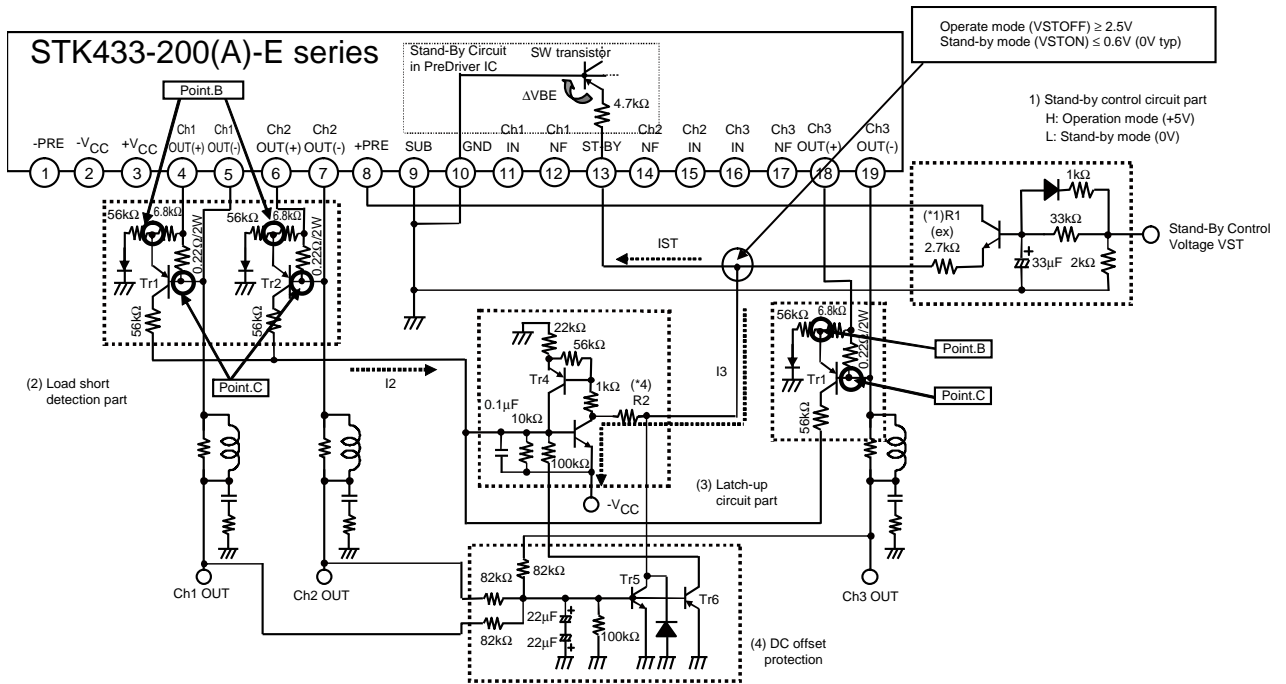
Note that this thermal design example assumes the use of a constant-voltage power supply, and is therefore not a verified design for any particular user's end product.

STK433-200(A)-E series Stand-by control, Mute control, Load-short protection & DC offset protection application



STK433-270-E

STK433-200(A)series Stand-by Control & Mute Control & Load-Short Protection Application

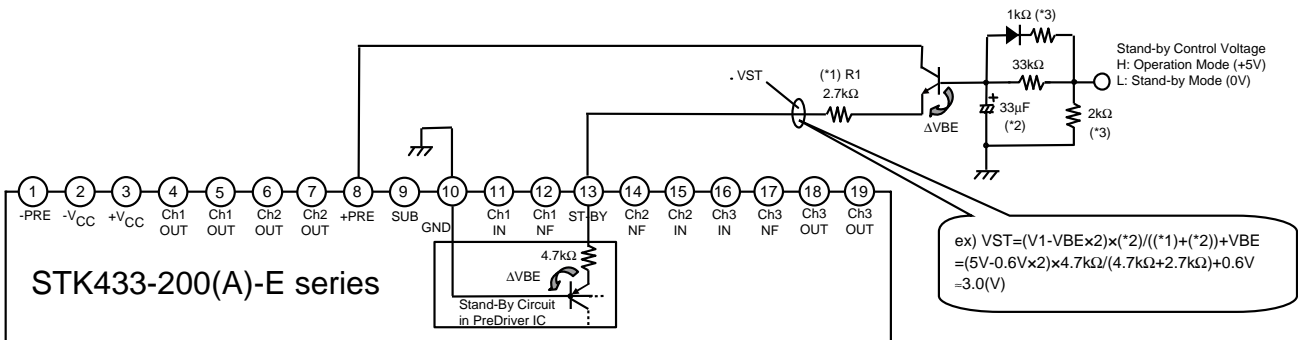


The protection circuit application for the STK433-200(A)-Esr consists of the following blocks (blocks (1) to (4)).

- (1) Standby control circuit block
- (2) Load short-circuit detection block
- (3) Latch-up circuit block
- (4) DC voltage protection block

1) Stand-by control circuit block

(Reference example) STK433-200(A)-E series test circuit (when +5V is applied to Stand-by control.)



Concerning pin 13 reference voltage VST

<1> Operation Mode

The switching transistor in the bias circuit turns on and places the amplifier into the operating mode when the voltage flowing into pin 13 (VST) becomes 0.25V or greater.

<2> Stand-By Mode

When the voltage flowing into pin 13 (VST) is stopped (=0V), the switching transistor in the bias circuit turns off, placing the amplifier into the standby mode.

- (*1) The current limiting resistor (R1) must be used to ensure that the voltage flowing into the stand-by pin (pin 13) does not exceed its maximum rated value VST max.
- (*2) The pop noise level when the power is turned on can be reduced by setting the time constant with a capacitor in operating mode.
- (*3) Determines the time constant at which the capacitor (*2) is discharged in standby mode.

STK433-270-E

2) Load short detection block

Since the voltage between point B and point C is less than 0.6V in normal operation mode ($V_{BE} < 0.6V$) and TR1 (or TR2) is not activated,

the load short-circuit detection block does not operate.

When a load short-circuit occurs, however, the voltage between point B and point C becomes larger than 0.6V, causing TR1 (or TR2) to turn on ($V_{BE} > 0.6V$), and current I2 to flows

3) Latch-up circuit block

When I2 was supplied to latch-up circuit, TR3 operate.

VST becomes Stand-By Mode (0V) when TR3 operates (I3 flows), the power amplifier is protected.

Stand-By Mode is maintained when once TR3 operates because TR3 and TR4 compose the thyristor.

It is necessary to make the Stand-By Control voltage (*2) L (0V) once to release Stand-By mode and to make the power amplifier operate again.

After, when Stand-By Control (*2) is returned to H (ex, +5V), it operates again.

(*4) I3 is changed depending on the power-supply voltage ($-V_{CC}$).

Please set resistance (R2) to become $I1 < I3$ by the following calculation types.

$$I1 \leq I3 = V_{CC}/R2$$

4) DC offset protection block

The DC offset protection circuit is activated when $\pm 0.5V$ (typ) voltage is applied to either "OUT CH1" or "OUT CH2," or "OUT CH3," and the hybrid IC is shut down (standby mode). To release the IC from the standby mode and reactivate the power amplifier, it is necessary to set the standby control voltage temporarily low (0V). Subsequently, when the standby control is returned to high (+5V, for example), the power amplifier will become active again.

The protection level must be set using the 82k Ω resistor. Furthermore, the time constant must be determined using 22 μ /22 μ capacitors to prevent the amplifier from malfunctioning due to the audio signal.

- SANYO Semiconductor Co.,Ltd. assumes no responsibility for equipment failures that result from using products at values that exceed, even momentarily, rated values (such as maximum ratings, operating condition ranges, or other parameters) listed in products specifications of any and all SANYO Semiconductor Co.,Ltd. products described or contained herein.
- SANYO Semiconductor Co.,Ltd. strives to supply high-quality high-reliability products, however, any and all semiconductor products fail or malfunction with some probability. It is possible that these probabilistic failures or malfunction could give rise to accidents or events that could endanger human lives, trouble that could give rise to smoke or fire, or accidents that could cause damage to other property. When designing equipment, adopt safety measures so that these kinds of accidents or events cannot occur. Such measures include but are not limited to protective circuits and error prevention circuits for safe design, redundant design, and structural design.
- In the event that any or all SANYO Semiconductor Co.,Ltd. products described or contained herein are controlled under any of applicable local export control laws and regulations, such products may require the export license from the authorities concerned in accordance with the above law.
- No part of this publication may be reproduced or transmitted in any form or by any means, electronic or mechanical, including photocopying and recording, or any information storage or retrieval system, or otherwise, without the prior written consent of SANYO Semiconductor Co.,Ltd.
- Any and all information described or contained herein are subject to change without notice due to product/technology improvement, etc. When designing equipment, refer to the "Delivery Specification" for the SANYO Semiconductor Co.,Ltd. product that you intend to use.
- Information (including circuit diagrams and circuit parameters) herein is for example only; it is not guaranteed for volume production.
- Upon using the technical information or products described herein, neither warranty nor license shall be granted with regard to intellectual property rights or any other rights of SANYO Semiconductor Co.,Ltd. or any third party. SANYO Semiconductor Co.,Ltd. shall not be liable for any claim or suits with regard to a third party's intellectual property rights which has resulted from the use of the technical information and products mentioned above.

This catalog provides information as of May, 2010. Specifications and information herein are subject to change without notice.