



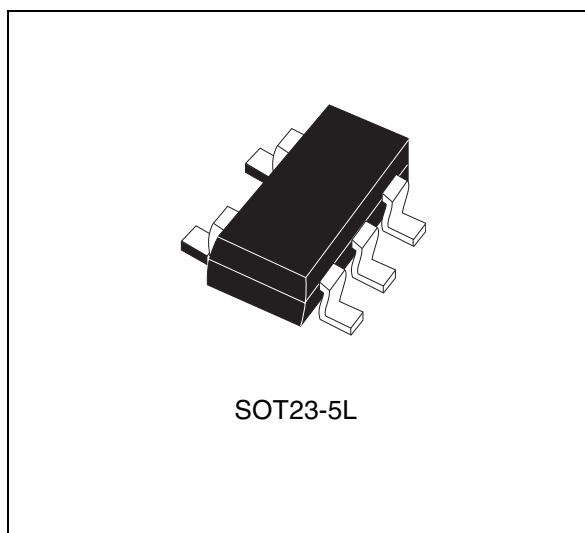
STCL1100 STCL1120 STCL1160

High frequency silicon oscillator family

Not recommended for new design

Features

- Fixed frequency 10/12/16 MHz
- $\pm 1.5\%$ frequency accuracy over all conditions
- 5 V $\pm 10\%$ operation
- Low operating current, ultra low standby current
- Push-pull, CMOS compatible frequency (square wave) output
- Chip enable input, active high
- Fast and stable startup
- No external components required
- Temperature range: -20 to $+85$ °C, 0 to $+105$ °C
- Package: SOT23-5L
- RoHS compliant.



Applications

- Motor control
- Home appliances
- Building control
- Advanced battery chargers
- Low speed USB applications
- Display drivers
- Generally where ceramic resonators are currently being used.

Contents

- 1 Description 5**
- 2 Pin connections 6**
 - 2.1 Signal names 6
- 3 Typical application circuit 7**
- 4 Operation 8**
 - 4.1 Chip Enable (CE) 8
 - 4.2 Transition to disable 8
 - 4.3 Fast startup and wakeup from disable 8
- 5 Maximum rating 9**
- 6 DC and AC parameters 10**
- 7 Typical operating characteristics and scope plots 12**
- 8 Package details SOT23-5L 15**
- 9 Part numbering 16**
- 10 Revision history 17**

List of tables

| | | |
|----------|--|----|
| Table 1. | Absolute maximum ratings | 9 |
| Table 2. | DC and AC measurement conditions | 10 |
| Table 3. | DC and AC parameters | 11 |
| Table 4. | SOT23-5L - 5-lead small outline transistor package mechanical data | 15 |
| Table 5. | Ordering information scheme | 16 |
| Table 6. | Document revision history | 17 |

List of figures

| | | |
|-----------|---|----|
| Figure 1. | SOT23-5L | 6 |
| Figure 2. | Microprocessor (MCU, microcontroller unit) clock example - replacement of a crystal or ceramic resonator | 7 |
| Figure 3. | Frequency vs. temperature, STCL1120 | 12 |
| Figure 4. | Duty cycle vs. temperature, STCL1120 | 12 |
| Figure 5. | Active supply current vs. temperature, STCL1120 | 13 |
| Figure 6. | Standby supply current vs. temperature, STCL1120 | 13 |
| Figure 7. | Startup time vs. temperature, STCL1120 | 14 |
| Figure 8. | Startup output waveform, first cycles zoom (power-on), STCL1120. | 14 |
| Figure 9. | SOT23-5L - 5-lead small outline transistor package outline | 15 |

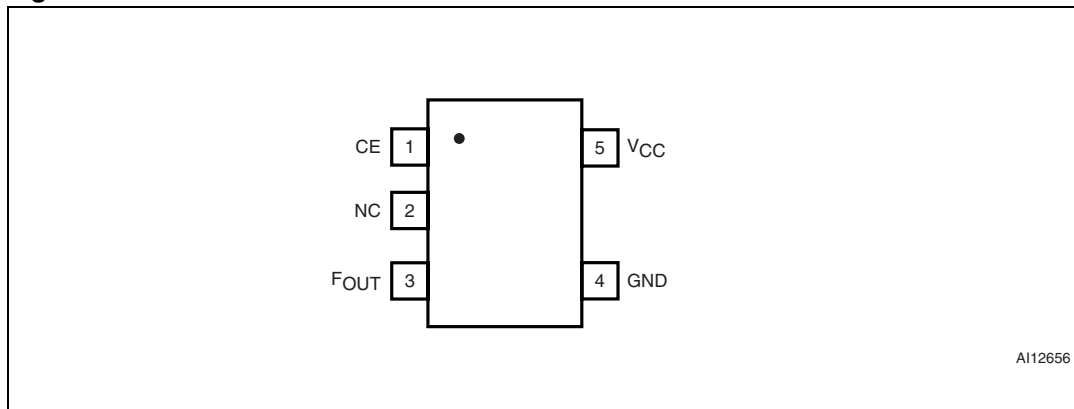
1 Description

The STCL1100, STCL1120 and STCL1160 silicon oscillator devices are reliable, easy to use, 5-pin low-cost fixed frequency silicon oscillators developed primarily for microprocessor clock applications, display drivers or other system applications where tighter clock accuracy is not critical. Compared to ceramic resonators and crystal oscillators, silicon oscillators offer the advantages of faster startup, smaller size and improved immunity to shock, vibration and EMI.

The STCL1100, STCL1120 and STCL1160 silicon oscillator devices are equipped with chip enable input, offering an easy way to stop microprocessor clocking during a power saving mode while at the same time significantly reducing the oscillator current consumption.

2 Pin connections

Figure 1. SOT23-5L



2.1 Signal names

V_{CC} Positive supply voltage pin

F_{OUT} Frequency (square wave) output, CMOS compatible, push-pull

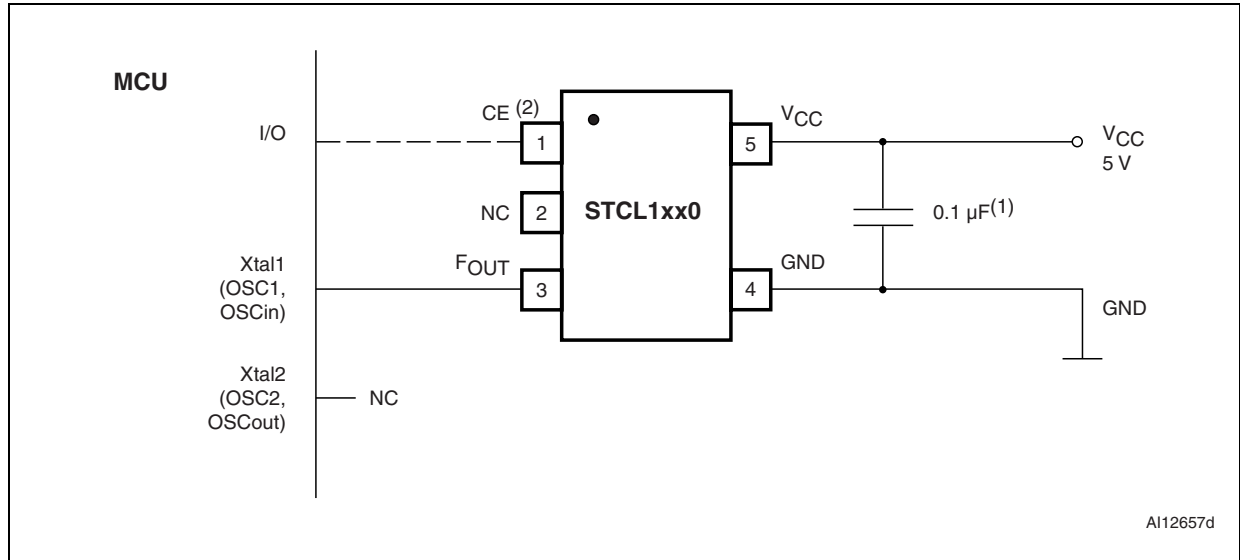
CE Chip Enable input, active high, no internal pull-up resistor

GND Ground

NC No Connect

3 Typical application circuit

**Figure 2. Microprocessor (MCU, microcontroller unit) clock example
- replacement of a crystal or ceramic resonator**



1. For reliable operation and to further improve immunity to harsh environment, the minimum 0.1 µF decoupling capacitor is recommended to be placed as close as possible to the V_{CC} and GND pins of the oscillator device. The whole oscillator block should then be placed near the microprocessor clock input.
2. To minimize standby current, no internal pull-up resistor to V_{CC} is implemented on the CE input, thus the input level must be permanently defined by the controlling signal. If the chip enable feature is not used, in active mode connect the CE pin to V_{CC}. In applications utilizing standby mode and where the CE pin is connected to the controlling I/O port of the clocked microprocessor, for successful startup of the microprocessor at power-on, initial logic high level needs to be secured on the CE pin to provide clock already during the power-on reset until the microprocessor program starts and the controlling I/O port takes over the CE control.

4 Operation

Use of the STCL1xx0 silicon oscillator device is very simple. Once power is applied to V_{CC} pin, a CMOS-compatible square wave output signal is provided on the F_{OUT} output pin (in active mode the Chip Enable (CE) input pin must be at a logic high level).

4.1 Chip Enable (CE)

This feature allows the user to stop the clock and significantly reduce the current consumption when the application is put into power saving mode.

When used to clock the microprocessor in place of a crystal, the need for chip enable input stems from a difference in the way microprocessors normally disable their clock. In the case of a crystal or ceramic resonator, when going into power saving mode, the processor simply opens the internal Xtal inverter feedback which results in stopping the crystal oscillations; however in the case of the silicon oscillators this would not work and the oscillator would continue to run. So in order to use this feature, one of the microprocessor's output pins must be configured to control the silicon oscillator's Chip Enable (CE) input, see Typical application circuit diagram. To minimize standby current of the oscillator device, no internal pull-up resistor is implemented on the CE input, thus the input level must be permanently defined by the controlling signal.

4.2 Transition to disable

The device provides additional 32 complete clock cycles after the chip enable input went inactive to allow the clocked microprocessor to complete pipelined instructions before going into sleep mode. Then during disable the output remains low.

4.3 Fast startup and wakeup from disable

The total startup time until oscillations internally stabilize and remain within specifications is 50 μs max from the point when V_{CC} reached min operating voltage (at power on) or from the point when CE went active (wakeup from disable mode). The output remains low even during initial 16 cycles after CE went active to provide stabilized valid output waveform already from the first output cycle, see [Table 3: DC and AC parameters](#) and [Figure 8: Startup output waveform, first cycles zoom \(power-on\), STCL1120](#). Compare to milliseconds typical for crystal oscillators or hundreds of microseconds for ceramic resonators.

5 Maximum rating

Stressing the device above the rating listed in the [Table 1: Absolute maximum ratings](#) may cause permanent damage to the device. These are stress ratings only and operation of the device at these or any other conditions above those indicated in the Operating sections of this specification is not implied. Exposure to absolute maximum rating conditions for extended periods may affect device reliability. Refer also to the STMicroelectronics SURE Program and other relevant quality documents.

Table 1. Absolute maximum ratings

| Symbol | Parameter | Note | Value | Unit |
|-----------|--|--------------------------------------|------------------------|------|
| T_{STG} | Storage temperature (V_{CC} Off) | | -55 to 150 | °C |
| T_{SLD} | Lead solder temperature for 10 seconds | Lead-free lead finish ⁽¹⁾ | 260 | °C |
| V_{IO} | Input or output voltage | | -0.3 to $V_{CC} + 0.3$ | V |
| V_{CC} | Supply voltage | | -0.3 to 7 | V |

1. Reflow at peak temperature of 260 °C (total thermal budget not to exceed 245 °C for more than 30 seconds).

6 DC and AC parameters

This section summarizes the operating and measurement conditions, as well as the DC and AC characteristics of the device. The parameters in the following [Table 3: DC and AC parameters](#) are derived from tests performed under the DC and AC measurement conditions listed in the [Table 2](#). Designers should check that the operating conditions in their projects match the measurement conditions when using the quoted parameters.

Table 2. DC and AC measurement conditions⁽¹⁾

| Parameter | |
|------------------------------------|---------------|
| V _{CC} supply voltage | 4.5 to 5.5 V |
| Ambient operating temperature | -20 to +85 °C |
| Load capacitance (C _L) | 12 pF |

1. Unless other specified.

Table 3. DC and AC parameters⁽¹⁾

| Sym | Description | Test condition | Min | Typ | Max | Unit |
|---------------------------------|--|---|-------------------------|------|------|-------------------|
| V _{CC} | Operating voltage | | 4.5 | 5.0 | 5.5 | V |
| I _{CC} | Operating current | F _{OUT} = 10 MHz, output unloaded | | 590 | 800 | μA |
| | | F _{OUT} = 10 MHz, output unloaded, 0 to +105 °C (STCL1100YBFCWY7) | | 590 | 900 | μA |
| | | F _{OUT} = 12 MHz, output unloaded | | 650 | 900 | μA |
| | | F _{OUT} = 16 MHz, output unloaded | | 800 | 1050 | μA |
| I _{CC2} | Standby current | CE = 0 V | | 2 | 3 | μA |
| V _{OL} | Output voltage low | I _{OL} = 3 mA | | | 0.4 | V |
| V _{OH} | Output voltage high | I _{OH} = -3 mA | V _{CC} - 0.4 V | | | V |
| V _{IL} | Input low voltage (CE input) | | | | 0.8 | V |
| V _{IH} | Input high voltage (CE input) | | 2 | | | V |
| I _{LI} | Input leakage current (CE input) | | -1 | | +1 | μA |
| | Frequency accuracy over all conditions ⁽²⁾ , ⁽³⁾ | V _{CC} = 4.5 to 5.5 V, -20 to +85 °C (0 to +105 °C for STCL1100YBFCWY7) | | | ±1.5 | % |
| | Jitter | Period jitter, over 20 s | | ±150 | | ps _{p-p} |
| | Duty cycle | Taken at half of the signal amplitude | 40 | 50 | 60 | % |
| t _{START} | Startup time ⁽⁴⁾ | From the point when V _{CC} reached min operating voltage or CE went active until the oscillations stabilize within specifications. | | 10 | 20 | μs |
| t _R , t _F | Rise/fall time | C _L = 12 pF; 10 to 90% of the amplitude | | 5 | | ns |
| C _L | Load capacitance | | | 12 | | pF |

- Valid for Ambient Operating Temperature: T_A = -20 to +85 °C; V_{CC} = 4.5 to 5.5 V (except where noted).
- Frequency vs. temperature characteristics has its maximum at room temperature, for both higher and lower temperatures the frequency decreases. Therefore, to reach symmetrical tolerances, the devices are factory-trimmed at room temperature to the frequency value close to higher tolerance limit. See Typical operating characteristics.
- The specified values are for the recommended configuration, i.e. parts properly soldered on PCB, with 0.1 μF ceramic capacitor soldered close to the V_{CC}-GND pins and short leads between the output and scope probe (to minimize signal reflections; see output waveform screenshots for various conditions). Recommended is usage of the active scope probe that adds around 1 pF of the load capacity to the total load and having frequency counter connected to the scope output as input capacitance of the counter is typically in tens of pF. Installing the device in a socket may have an influence on the frequency and repeatability as well, depending on quality of its contacts.
- For details see startup waveform graph - [Figure 8](#).

7 Typical operating characteristics and scope plots

Figure 3. Frequency vs. temperature, STCL1120

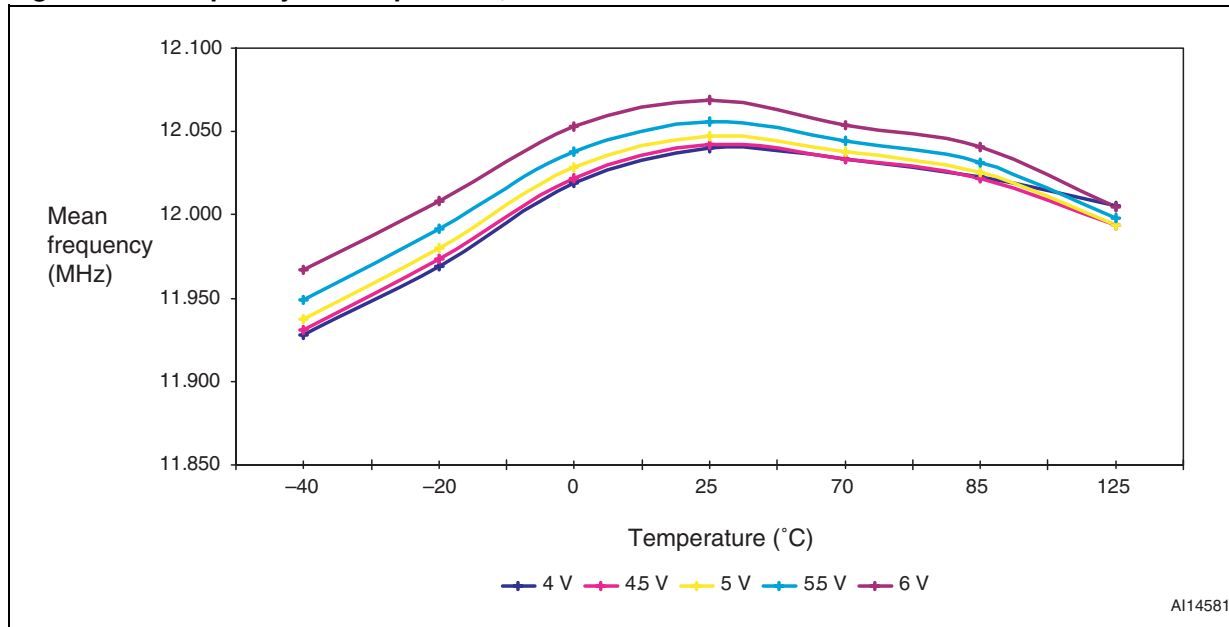


Figure 4. Duty cycle vs. temperature, STCL1120

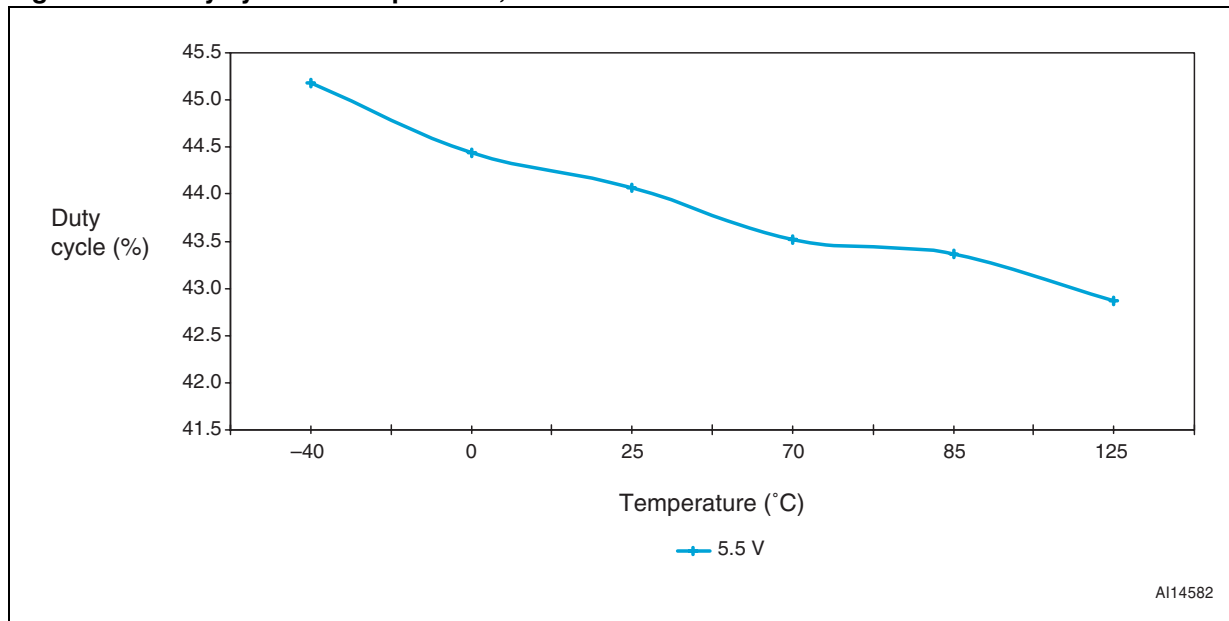


Figure 5. Active supply current vs. temperature, STCL1120

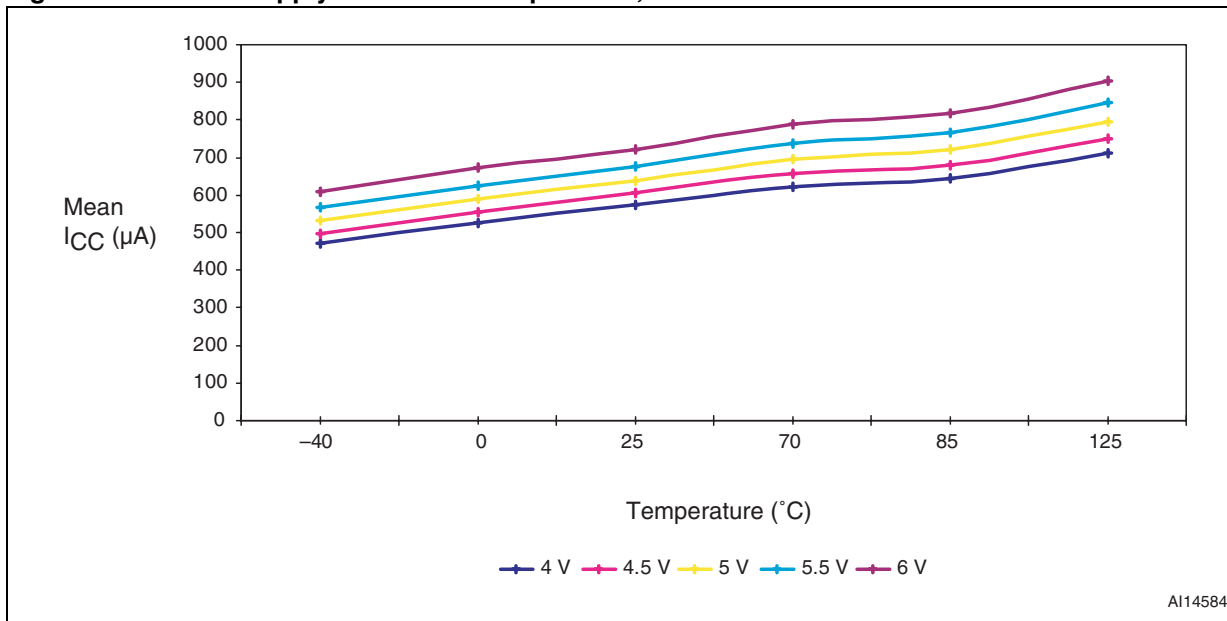


Figure 6. Standby supply current vs. temperature, STCL1120

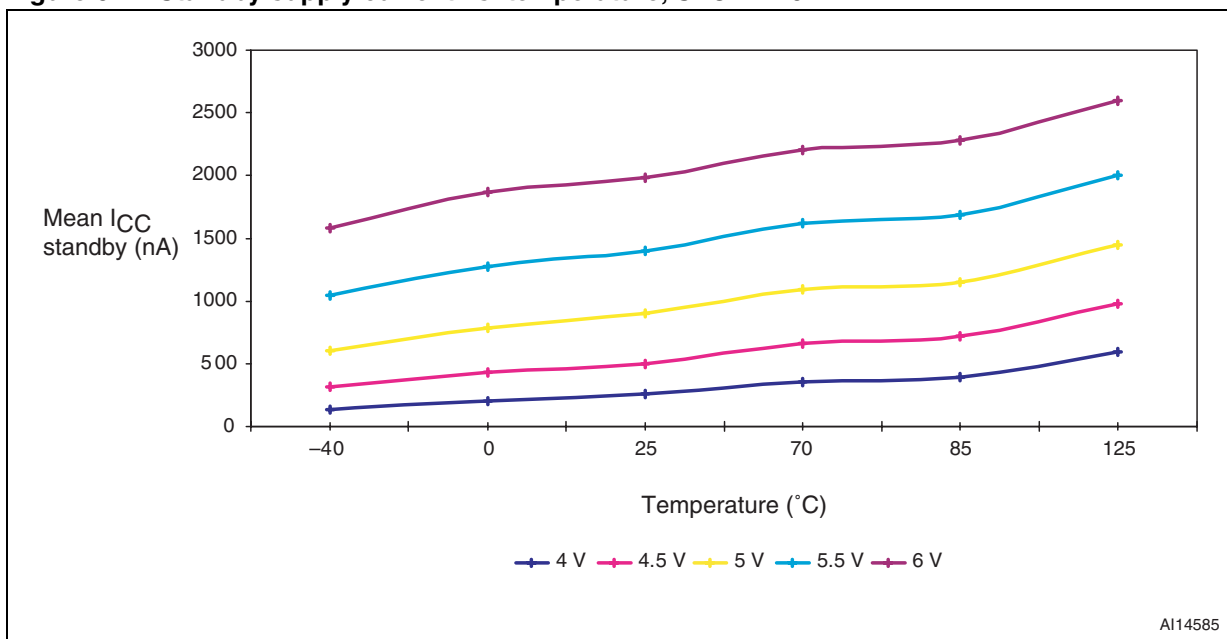


Figure 7. Startup time vs. temperature, STCL1120

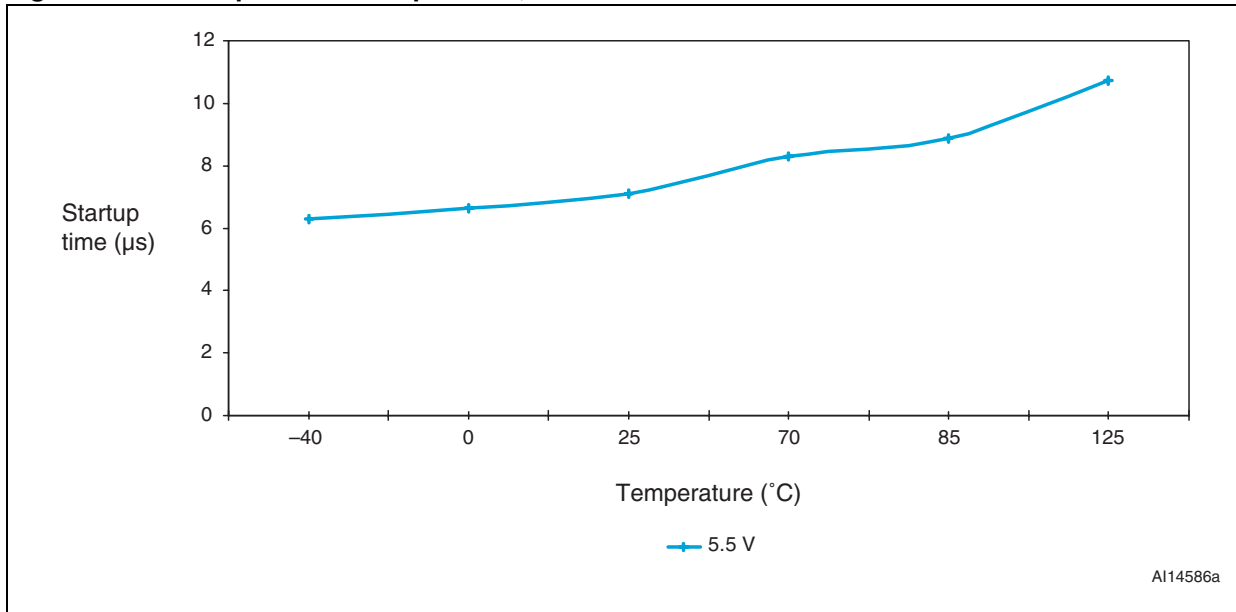
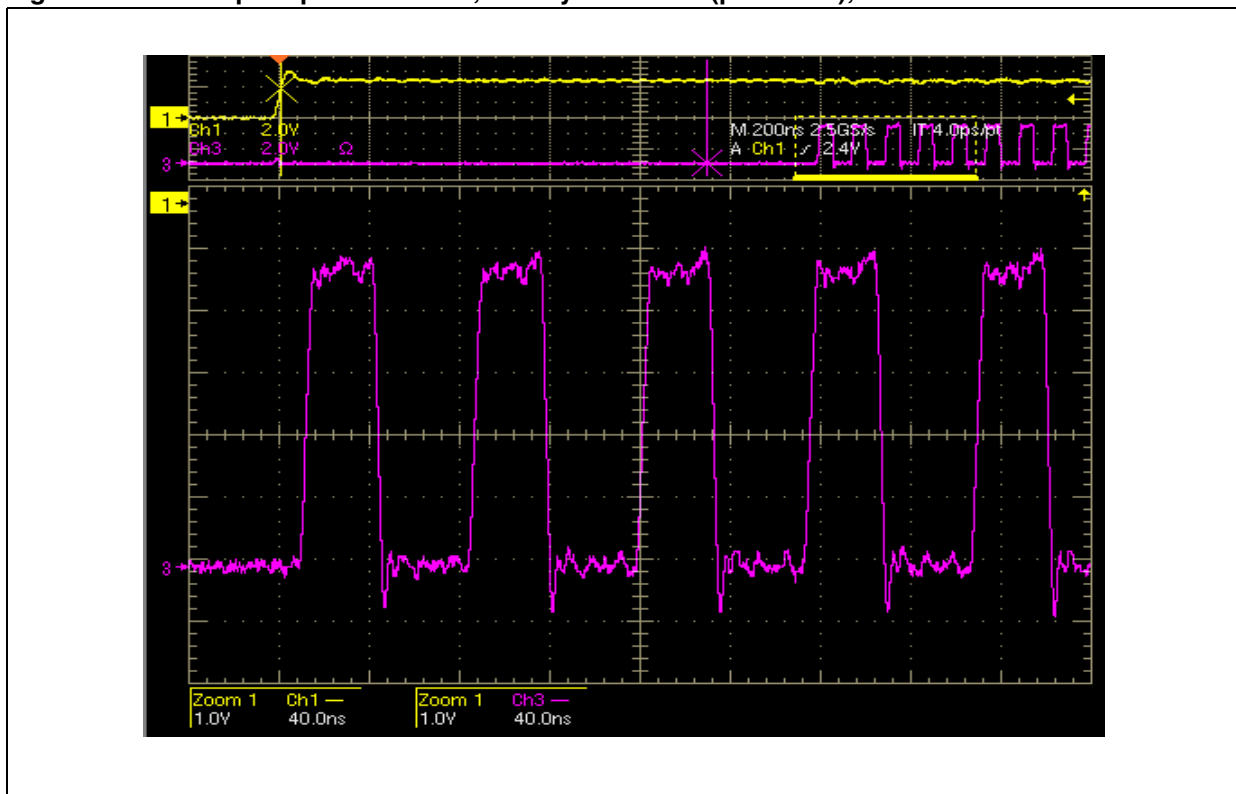


Figure 8. Startup output waveform, first cycles zoom (power-on), STCL1120



8 Package details SOT23-5L

Figure 9. SOT23-5L - 5-lead small outline transistor package outline

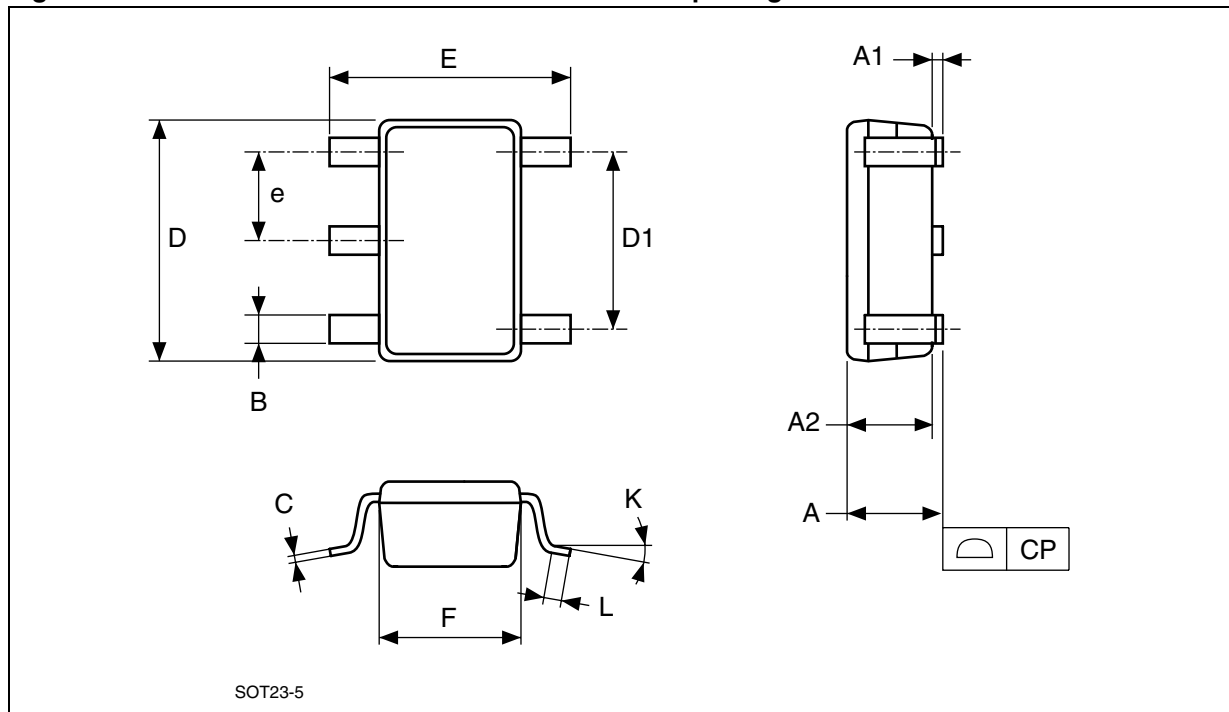


Table 4. SOT23-5L - 5-lead small outline transistor package mechanical data

| Symbol | millimeters | | | inches | | |
|--------|-------------|-------|-------|--------|--------|--------|
| | Typ | Min | Max | Typ | Min | Max |
| A | 1.200 | 0.900 | 1.450 | 0.0472 | 0.0354 | 0.0571 |
| A1 | | | 0.150 | | | 0.0059 |
| A2 | 1.050 | 0.900 | 1.300 | 0.0413 | 0.0354 | 0.0512 |
| B | 0.400 | 0.350 | 0.500 | 0.0157 | 0.0138 | 0.0197 |
| C | 0.150 | 0.090 | 0.200 | 0.0059 | 0.0035 | 0.0079 |
| D | 2.900 | 2.800 | 3.000 | 0.1142 | 0.1102 | 0.1181 |
| D1 | 1.900 | | | 0.0748 | | |
| E | 2.800 | 2.600 | 3.000 | 0.1102 | 0.1024 | 0.1181 |
| e | 0.950 | | | 0.0374 | | |
| F | 1.600 | 1.500 | 1.750 | 0.0630 | 0.0591 | 0.0689 |
| K | | 0 | 10 | | 0 | 10 |
| L | 0.350 | 0.100 | 0.600 | 0.0138 | 0.0039 | 0.0236 |

9 Part numbering

Table 5. Ordering information scheme

| | STCL | 1 | 120 | Y | B | F | C | WY | 5 |
|---|------|---|-----|---|---|---|---|----|---|
| Device type STCL = Silicon oscillator | | | | | | | | | |
| Product family 1 = Single frequency, fixed | | | | | | | | | |
| Frequency 100 = 10.0 MHz 120 = 12.0 MHz 160 = 16.0 MHz | | | | | | | | | |
| Operating voltage Y = 4.5 to 5.5 V | | | | | | | | | |
| Accuracy B = ±1.5% | | | | | | | | | |
| Chip enable F = Single chip enable, active high, no pull | | | | | | | | | |
| Disable mode C = Additional 32 cycles, output low in disable, skip 16 cycles at startup, output low during that | | | | | | | | | |
| Package WY = SOT23-5L | | | | | | | | | |
| Temperature range 5 = -20 to +85 °C 7 = 0 to +105 °C | | | | | | | | | |

Note: Contact local ST sales office for availability of other product options (chip enable active high or low, with or without internal pull-up or pull-down, possibility of various disable modes, startup procedures, output low or in high-impedance when disabled, etc.).

10 Revision history

Table 6. Document revision history

| Date | Revision | Changes |
|-------------|----------|---|
| 26-Mar-2007 | 0.1 | Initial release. |
| 04-May-2007 | 1 | Parameters update in Table 3 . |
| 07-Jun-2007 | 1.0.1 | Typing error corrected. |
| 19-Feb-2008 | 2 | Document reformatted, updated title, Features , Description , Table 2 , Table 3 , Table 5 , Figure 2 to Figure 8 . |
| 09-Jan-2009 | 3 | Updated Features (added temperature range 0 to +105 °C), Figure 2 , Chapter 4.3 , Table 3 (updated I _{CC} , Frequency - added temperature range, updated Jitter, t _{START}), Figure 7 , Table 5 (modified Device type, added temperature range 7). |
| 24-Jun-2010 | 4 | Document reformatted, added header and footer to cover page to indicate change in product maturity status. |

Please Read Carefully:

Information in this document is provided solely in connection with ST products. STMicroelectronics NV and its subsidiaries ("ST") reserve the right to make changes, corrections, modifications or improvements, to this document, and the products and services described herein at any time, without notice.

All ST products are sold pursuant to ST's terms and conditions of sale.

Purchasers are solely responsible for the choice, selection and use of the ST products and services described herein, and ST assumes no liability whatsoever relating to the choice, selection or use of the ST products and services described herein.

No license, express or implied, by estoppel or otherwise, to any intellectual property rights is granted under this document. If any part of this document refers to any third party products or services it shall not be deemed a license grant by ST for the use of such third party products or services, or any intellectual property contained therein or considered as a warranty covering the use in any manner whatsoever of such third party products or services or any intellectual property contained therein.

UNLESS OTHERWISE SET FORTH IN ST'S TERMS AND CONDITIONS OF SALE ST DISCLAIMS ANY EXPRESS OR IMPLIED WARRANTY WITH RESPECT TO THE USE AND/OR SALE OF ST PRODUCTS INCLUDING WITHOUT LIMITATION IMPLIED WARRANTIES OF MERCHANTABILITY, FITNESS FOR A PARTICULAR PURPOSE (AND THEIR EQUIVALENTS UNDER THE LAWS OF ANY JURISDICTION), OR INFRINGEMENT OF ANY PATENT, COPYRIGHT OR OTHER INTELLECTUAL PROPERTY RIGHT.

UNLESS EXPRESSLY APPROVED IN WRITING BY AN AUTHORIZED ST REPRESENTATIVE, ST PRODUCTS ARE NOT RECOMMENDED, AUTHORIZED OR WARRANTED FOR USE IN MILITARY, AIR CRAFT, SPACE, LIFE SAVING, OR LIFE SUSTAINING APPLICATIONS, NOR IN PRODUCTS OR SYSTEMS WHERE FAILURE OR MALFUNCTION MAY RESULT IN PERSONAL INJURY, DEATH, OR SEVERE PROPERTY OR ENVIRONMENTAL DAMAGE. ST PRODUCTS WHICH ARE NOT SPECIFIED AS "AUTOMOTIVE GRADE" MAY ONLY BE USED IN AUTOMOTIVE APPLICATIONS AT USER'S OWN RISK.

Resale of ST products with provisions different from the statements and/or technical features set forth in this document shall immediately void any warranty granted by ST for the ST product or service described herein and shall not create or extend in any manner whatsoever, any liability of ST.

ST and the ST logo are trademarks or registered trademarks of ST in various countries.

Information in this document supersedes and replaces all information previously supplied.

The ST logo is a registered trademark of STMicroelectronics. All other names are the property of their respective owners.

© 2010 STMicroelectronics - All rights reserved

STMicroelectronics group of companies

Australia - Belgium - Brazil - Canada - China - Czech Republic - Finland - France - Germany - Hong Kong - India - Israel - Italy - Japan - Malaysia - Malta - Morocco - Philippines - Singapore - Spain - Sweden - Switzerland - United Kingdom - United States of America

www.st.com